

INSTRUCTIONS FOR REPLACING 3944-152, FOLDED TOWEL DISPENSER MODULE

BOBRICK MODELS B-3942, B-3944, B-3947, B-3949 AND B-3940 CONVERTIBLE PAPER TOWEL DISPENSER AND WASTE RECEPTACLE

REMOVING EXISTING FOLDED TOWEL DISPENSER MODULE

1. Unlock and open the door of the Folded Towel Dispenser Module and remove any paper towels. **Remove door by removing the hinge pin.**
CAUTION: If door is not removed special care should be taken to prevent door from swinging when removing last bolt and causing Module to fall out of cabinet.
2. Loosen but do not remove the four 3961-24 Washer Lock Nuts located on the left back and right side of the Modular Housing Assembly until the 3961-25 Carriage Bolt can be removed. The 3961-24 Hex Lock Nut should not be removed from the 3961-25 Carriage Bolt, ensuring that the Carriage Bolt will not fall into the wall cavity. (See Figure 1)
3. Hold the Housing in place with one hand.
4. Remove the mounting hardware, the 3961-25 Carriage Bolt with the 3961-24 Washer Lock Nut, by sliding them toward the hole until the head of the carriage bolt can move through the round portion of the keyhole slot. Put aside, four places.
5. Carefully remove the housing from the cabinet by sliding it down past the lower door stop and then rotating out from the bottom.

INSTALLING NEW FOLDED TOWEL DISPENSER MODULE

1. Carefully insert the Folded Towel Dispenser Module (without the door) under and behind the lower door stop in the cabinet until it touches the cabinet flanges. Slide up keeping the right side of the housing parallel with the right side of the cabinet supporting it from underneath with both hands. Make sure to keep the back of the housing against the back flanges of the cabinet and position the module so that the keyhole slots line up. (See Figure 2)
2. Insert one set of mounting hardware, the 3961-25 Carriage Bolt with the 3961-24 Washer Lock Nut, into the round portion of the upper left side keyhole slot with the head of the 3961-25 Carriage Bolt going in first. Position the square shoulder of the 3961-25 Carriage Bolt so that it is parallel with the straight sides of the keyhole slot and slide the entire assembly as far over as it will go. The square shoulder of the 3961-25 Carriage Bolt should be in contact with the end of the rectangular slot in the flange to ensure proper seating of the mounting hardware. (See Figures 3 & 4).
3. Tighten down the 3961-24 Washer Lock Nut. The mounting hardware should not move when tugged. Do Not overtighten the washer lock nuts.
4. Install the rest of the mounting hardware as described in steps 2 & 3 for the other keyhole slots.
5. Install the door using the hinge pin provided.

NOTE: Waste capacity of these units can be changed by ordering Bobrick part numbers:
367-60 (12-Gallon Waste Receptacle Module)
368-60 (18-Gallon Waste Receptacle Module)
313061-8 (6-Gallon Waste Receptacle Module)

TOOL REQUIRED TO REMOVE LOCK NUT

TOOL NAME	TOOL SIZE
Nut Driver	3/8"
or	
Socket Wrench with 3" minimum extension	3/8"

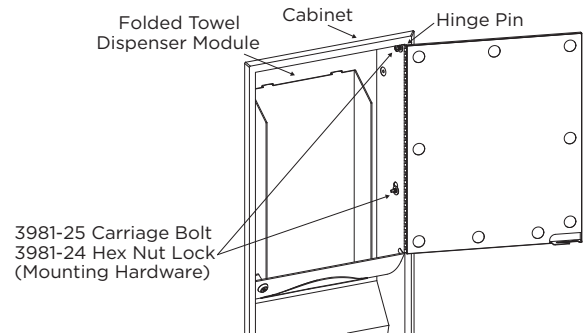


Figure 1

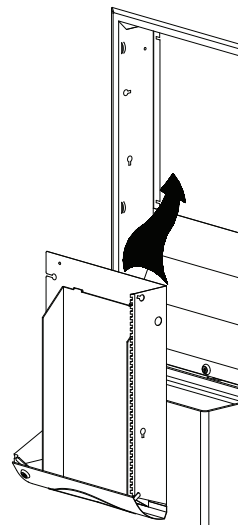


Figure 2

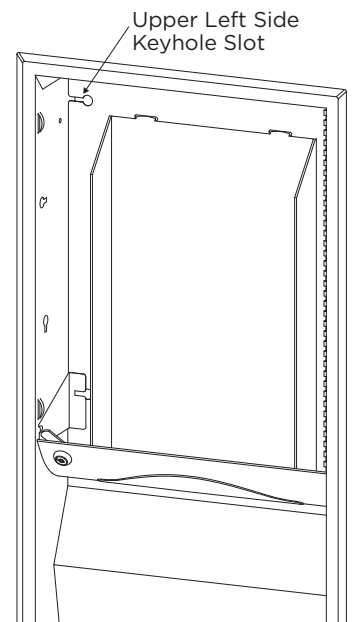


Figure 3

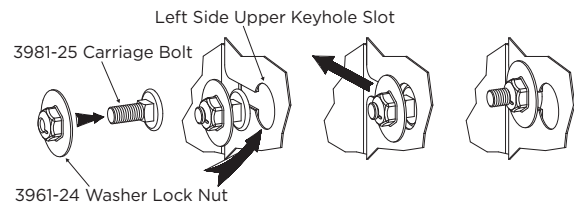


Figure 4



In the United States: **BOBRICK WASHROOM EQUIPMENT, INC.**

Los Angeles: 6901 Tujunga Ave, North Hollywood, CA 91605-6213 • Tel: (818) 764-1000 • Fax: (818)-765-2700

New York: 200 Commerce Drive, Clifton Park, NY 12065-1350 • Tel: (518) 877-7444 • Fax: (518)-877-5029

or email customerservice@bobrick.com

In Canada: **BOBRICK WASHROOM EQUIPMENT COMPANY**

45 Rolark Drive, Scarborough, Ontario M1R 3B1 • Eastern Canada: Tel: (877) 423-6555 • Fax: (877) 423-8555

• Western Canada: Tel: (877) 423-6444 • Fax: (877) 423-8444 or email customerservice@bobrick.com

INSTALLATION INSTRUCTIONS / INSTRUCCIONES PARA LA INSTALACIÓN

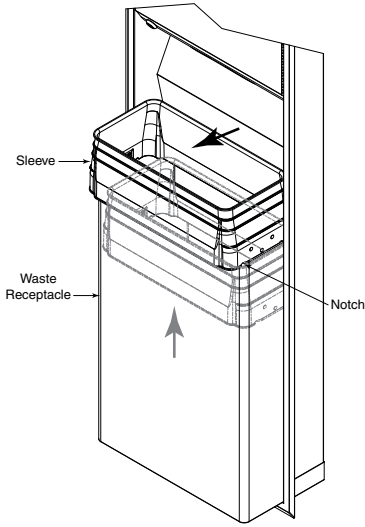
Bobrick LinerMate™ Trash Liner Holder for ClassicSeries™ 12-Gallon Waste Models

Porta-bolsas de basura LinerMate™ para los receptáculos de desperdicios de 12-gal. de la serie Classic de Bobrick

Insert LinerMate 3944-134 into waste receptacle and follow as instructed below:

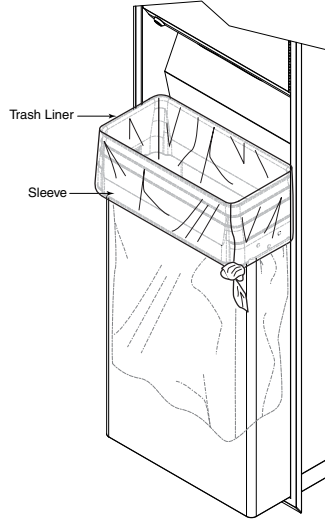
Inserte el porta-bolsas LinerMate 3944-134 en el receptáculo de desperdicios y siga las instrucciones brindadas a continuación:

To Install Disposable Trash Liner / Para colocar la bolsa desechable de basura



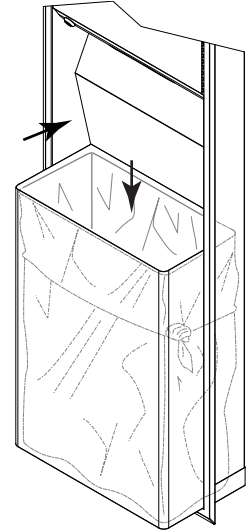
- 1). Pull LinerMate Trash Liner Holder up and forward. Rest Sleeve of holder over front edge of waste receptacle with notches engaged on top front edge of waste receptacle.

Extraiga el porta-bolsas de basura LinerMate del interior del receptáculo de desperdicios y haga descansar la pieza plástica o colgador sobre el borde superior delantero del mismo, con ayuda de las muescas situadas a ambos lados del colgador.



- 2). Place plastic trash liner into LinerMate and fold over and around Sleeve. A knot may be tied in bag at bottom of Sleeve to secure bag in place.

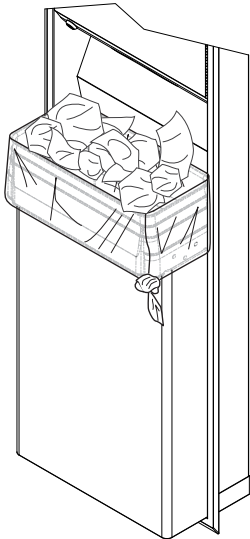
Coloque la bolsa de basura dentro del LinerMate y ajústela alrededor del borde del colgador, doblándola sobre el mismo. Puede hacer un nudo para sujetar la bolsa en su lugar.



- 3). Lift LinerMate Trash Liner Holder from rest position and place down into waste receptacle.

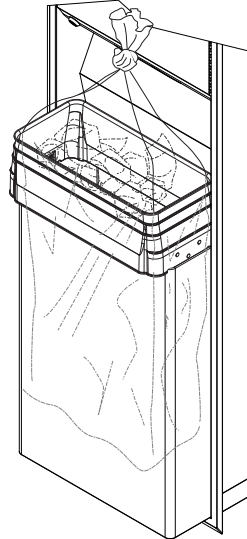
Levante el porta-bolsas de basura LinerMate e introdúzcalo de nuevo en el receptáculo de desperdicios.

To Remove Filled Trash Liner / Para sacar la bolsa llena de basura



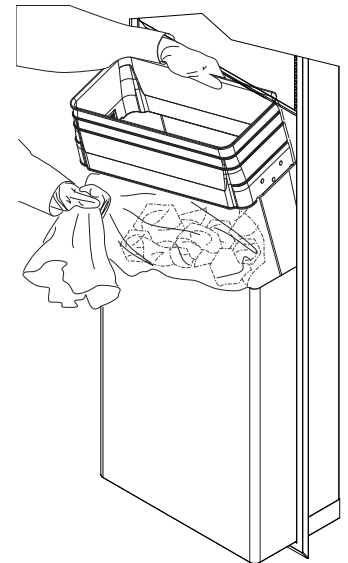
- 1). Pull LinerMate up and forward. Rest on front edge of waste receptacle by engaging bottom notches of Sleeve on top edge of waste receptacle.

Extraiga el porta-bolsas de basura LinerMate del interior del receptáculo de desperdicios y hágalo descansar sobre el borde superior delantero del mismo, con ayuda de las muescas situadas a ambos lados del colgador.



- 2). Remove edges of disposable trash liner and tie a knot.

Quite la bolsa de alrededor del borde del colgador y anúdela.



- 3). Pull trash liner out from top or lift LinerMate up and pull liner from below LinerMate.

Extraiga la bolsa de basura por la parte de arriba del LinerMate, o levante el LinerMate y saque la bolsa de basura por debajo.



In the U.S.A.: BOBRICK WASHROOM EQUIPMENT, INC.

200 Commerce Drive, Clifton Park, New York 12065-1350 • Tel: (518) 877-7444 • FAX: 518-877-5029
11611 Hart Street, North Hollywood, California 91605-5882 • Tel: (818) 982-9600 • FAX: 818-503-1102
100 Bobrick Drive, Jackson, Tennessee 38301-5625 • Tel: (731) 424-7000 • FAX: 731-424-7800

In Canada: BOBRICK WASHROOM EQUIPMENT COMPANY

45 Rolark Drive, Scarborough, Ontario M1R 3B1 • Tel: (416) 298-1611 • FAX: 416-298-6351