

Instructions for Use - Original Instructions
Instrucciones de Uso
Instructions d'Utilisation
Instruções de Uso

Model: 9087361020

TABLE OF CONTENTS

INTRODUCTION	2
MANUAL PURPOSE AND CONTENTS	2
TARGET	2
HOW TO KEEP THIS MANUAL	2
IDENTIFICATION DATA	2
OTHER REFERENCE MANUALS	2
SPARE PARTS AND MAINTENANCE	2
CHANGES AND IMPROVEMENTS	2
OPERATION CAPABILITIES	3
CONVENTIONS	3
UNPACKING/DELIVERY	3
SAFETY	3
VISIBLE SYMBOLS ON THE MACHINE	3
SYMBOLS THAT APPEAR ON THIS MANUAL	4
GENERAL INSTRUCTIONS	4
MACHINE DESCRIPTION	6
MACHINE STRUCTURE	6
CONTROL PANEL	8
ACCESSORIES/OPTIONS	9
TECHNICAL DATA	9
WIRING DIAGRAM	10
USE	11
BATTERY CHECK/SETTING ON A NEW MACHINE	11
BATTERY INSTALLATION	11
BEFORE MACHINE START-UP	12
MACHINE START AND STOP	14
MACHINE OPERATION (SCRUBBING/DRYING)	14
TANK EMPTYING	17
AFTER USING THE MACHINE	17
PUSHING/TOWING THE MACHINE	17
MACHINE LONG INACTIVITY	17
MAINTENANCE	18
SCHEDULED MAINTENANCE TABLE	18
BATTERY CHARGING	19
SUPER USER KEY (yellow)	20
SQUEEGEE CLEANING	22
SQUEEGEE BLADE CHECK AND REPLACEMENT	22
CLEANING THE BRUSH	23
RECOVERY TANK CLEANING	23
WASHING WATER FILTER CLEANING	24
DETERGENT TANK CLEANING	24
DRAINING THE ECOFLEX™ SYSTEM	25
FUSE CHECK/REPLACEMENT	25
SAFETY FUNCTIONS	26
EMERGENCY PUSH-BUTTON	26
ANTI-SKID SAFETY SYSTEM	26
DRIVER'S SEAT MICROSWITCH	26
ELECTROMAGNETIC BRAKE	26
TROUBLESHOOTING	27
SCRAPPING	28

INTRODUCTION



NOTE

The numbers in brackets refer to the components shown in Machine Description chapter.

MANUAL PURPOSE AND CONTENTS

The purpose of this Manual is to provide the operator with all necessary information to use the machine properly, in a safe and autonomous way. It contains information about technical data, safety, operation, storage, maintenance, spare parts and disposal. Before performing any procedure on the machine, the operators and qualified technicians must read this Manual carefully. Contact Advance in case of doubts concerning the interpretation of the instructions and for any further information.

TARGET

This Manual is intended for operators and technicians qualified to perform the machine maintenance.

The operators must not perform procedures reserved for qualified technicians. Advance will not be answerable for damages coming from the non-observance of this prohibition.

HOW TO KEEP THIS MANUAL

The Instructions for Use Manual must be kept near the machine, inside an adequate case, away from liquids and other substances that can cause damage to it.

IDENTIFICATION DATA

The machine serial number and model name are marked on the plate (23).

Product number and year of production are marked on the same plate.

This information is useful when requiring machine spare parts. Use the following table to write down the machine identification data.

MACHINE model
PRODUCT code
MACHINE serial number

OTHER REFERENCE MANUALS

- Electronic battery charger Manual, to be considered as integral part of this Manual
- Spare Parts List (supplied with the machine)
- Service Manual (that can be consulted at Advance Service Centers)

SPARE PARTS AND MAINTENANCE

All necessary operating, maintenance and repair procedures must be performed by qualified personnel or by Advance Service Centers. Only original spare parts and accessories must be used.

Contact Advance for service or to order spare parts and accessories, specifying the machine model, product code and serial number.

CHANGES AND IMPROVEMENTS

Advance constantly improves its products and reserves the right to make changes and improvements at its discretion without being obliged to apply such benefits to the machines that were previously sold.

Any change and/or addition of accessories must be approved and performed by Advance.

OPERATION CAPABILITIES

The SC2000 scrubber-dryer is used to clean (scrubbing and drying) smooth and solid floors, in civil or industrial environment, under safe operation conditions by a qualified operator.

The scrubber-dryer cannot be used for fitted carpet and carpet cleaning.

CONVENTIONS

Forward, backward, front, rear, left or right are intended with reference to the operator's position, that is to say on the driver's seat (12).

UNPACKING/DELIVERY

To unpack the machine, carefully follow the instructions on the packing.

To move the machine manually, see the Pushing/Towing The Machine paragraph.

When the machine is delivered, check that the packing and the machine were not damaged during transportation.

In case of visible damages, keep the packing and have it checked by the carrier that delivered it. Call the carrier immediately to fill in a damage claim.

Please check that the following items have been supplied with the machine:

- Technical documents:
 - Scrubber-dryer Instructions for Use Manual
 - Scrubber-dryer Spare Parts List
- No. 2 lamellar fuses
- No. 1 splash guard



WARNING!

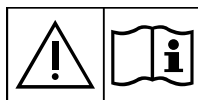
The Products sold with this Manual contain or may contain chemicals that are known to certain governments (such as the State of California, as identified in its Proposition 65 Regulatory Warning Law) to cause cancer, birth defects or other reproductive harm. In certain locations (including the State of California) purchasers of these Products that place them in service at an employment job site or a publicly accessible space are required by regulation to make certain notices, warnings or disclosures regarding the chemicals that are or may be contained in the Products at or about such work sites. It is the purchaser's responsibility to know the content of, and to comply with, any laws and regulations relating to the use of these Products in such environments. The Manufacturer disclaims any responsibility to advise purchasers of any specific requirements that may be applicable to the use of the Products in such environments.

SAFETY

The following symbols indicate potentially dangerous situations. Always read this information carefully and take all necessary precautions to safeguard people and property.

The operator's cooperation is essential in order to prevent injury. No accident prevention program is effective without the total cooperation of the person responsible for the machine operation. Most of the accidents that may occur in a factory, while working or moving around, are caused by failure to comply with the simplest rules for exercising prudence. A careful and prudent operator is the best guarantee against accidents and is essential for successful completion of any prevention program.

VISIBLE SYMBOLS ON THE MACHINE



WARNING!

Carefully read all the instructions before performing any operation on the machine.



WARNING!

Do not wash the machine with direct or pressurized water jets.



WARNING!

Do not use the machine on slopes with a gradient exceeding the specifications.

SYMBOLS THAT APPEAR ON THIS MANUAL



DANGER!

It indicates a dangerous situation with risk of death for the operator.



WARNING!

It indicates a potential risk of injury for people.



CAUTION!

It indicates a caution or a remark related to important or useful functions. Pay careful attention to the paragraphs marked by this symbol.



NOTE

It indicates a remark related to important or useful functions.



CONSULTATION

It indicates the necessity to refer to the Instructions for Use Manual before performing any procedure.

GENERAL INSTRUCTIONS

Specific warnings and cautions to inform about potential damages to people and machine are shown below.



DANGER!

- *Before performing any maintenance, repair, cleaning or replacement procedure, remove the ignition key and disconnect the battery connector.*
- *This machine must be used by properly trained operators only.*
- *Do not wear jewels when working near electrical components.*
- *Do not work under the lifted machine without supporting it with safety stands.*
- *Do not operate the machine near toxic, dangerous, flammable and/or explosive powders, liquids or vapors. This machine is not suitable for collecting dangerous powders.*
- *When using lead (WET) batteries, keep sparks, flames and smoking materials away from the batteries. During the normal operation explosive gases are released.*
- *When using lead (WET) batteries, battery charging produces highly explosive hydrogen gas. During battery charging, lift the recovery tank and perform this procedure in well-ventilated areas and away from naked flames.*



WARNING!

- *Carefully read all the instructions before performing any maintenance/repair procedure.*
- *The machine ignition key has a built-in magnet. Do not place objects having magnetic bands (such as credit cards, electronic keys, phone cards) near the key. The built-in magnet can damage or erase the data stored on the magnetic bands.*
- *Before using the battery charger, ensure that frequency and voltage values, indicated on the machine serial number plate, match the electrical mains voltage.*
- *Do not pull or carry the machine by the battery charger cable and never use the battery charger cable as a handle. Do not close a door on the battery charger cable, or pull the battery charger cable around sharp edges or corners. Do not run the machine on the battery charger cable.*
- *Keep the battery charger cable away from heated surfaces.*
- *Do not charge the batteries if the battery charger cable or the plug are damaged.*
- *To reduce the risk of fire, electric shock, or injury, do not leave the machine unattended when it is plugged in. Before performing any maintenance procedure, disconnect the battery charger cable from the electrical mains.*
- *Do not smoke while charging the batteries.*
- *To avoid any unauthorized use of the machine, remove the ignition key.*
- *Do not leave the machine unattended without being sure that it cannot move independently.*

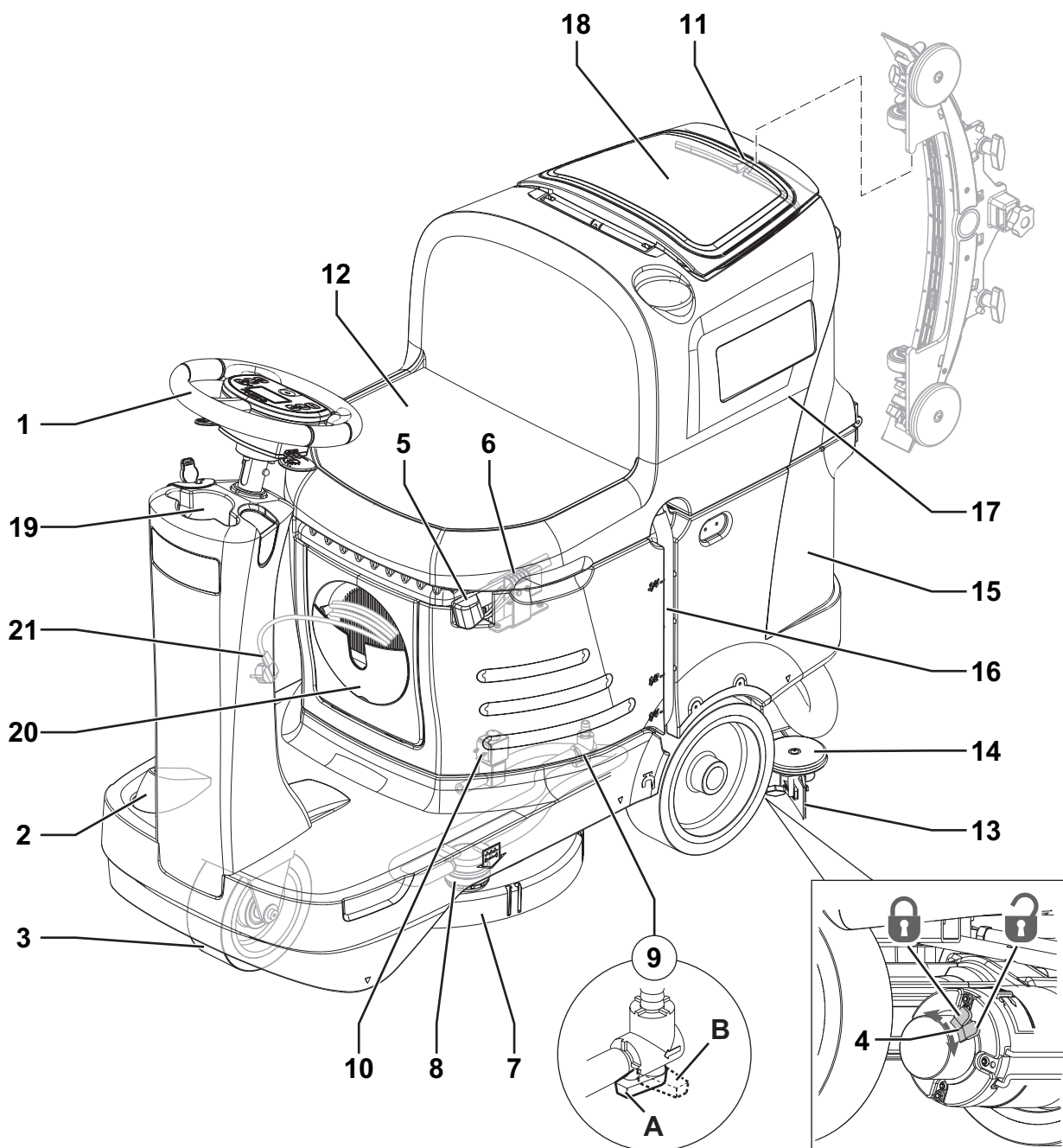
**WARNING!**

- Always protect the machine against the sun, rain and bad weather, both under operation and inactivity condition. This machine must be used in dry conditions, it must not be used or kept outdoors in wet conditions.
- Before using the machine, close all doors and/or covers as shown in the Instructions for Use Manual.
- This machine is not intended for use by persons (including children) with reduced physical, sensory or mental capabilities, or lack of experience and knowledge, unless they have been given supervision or instruction concerning use of the machine by a person responsible for their safety. Children should be supervised to ensure that they do not play with the machine.
- Close attention is necessary when used near children. Use only as shown in this Manual. Use only Advance's recommended accessories.
- Check the machine carefully before each use, always check that all the components have been properly assembled before use. If the machine is not perfectly assembled it can cause damages to people and properties.
- Take all necessary precautions to prevent hair, jewels and loose clothes from being caught by the machine moving parts.
- Do not use the machine on incline.
- Do not tilt the machine more than the angle indicated on the machine itself, in order to prevent instability.
- Do not use the machine in particularly dusty areas.
- Use the machine only where a proper lighting is provided.
- If the machine is to be used where there are other people besides the operator, it is necessary to install the pivoting light (optional).
- While using this machine, take care not to cause damage to people or objects.
- Do not bump into shelves or scaffoldings, especially where there is a risk of falling objects.
- Do not lean liquid containers on the machine, use the relevant can holder.
- The machine operating temperature must be between +32 °F and 104 °F (0 °C and +40 °C).
- The machine storage temperature must be between +32 °F and 104 °F (0 °C and +40 °C).
- The humidity must be between 30 % and 95 %.
- When using floor cleaning detergents, follow the instructions on the labels of the detergent bottles.
- To handle floor cleaning detergents, wear suitable gloves and protections.
- Do not use the machine as a means of transport.
- Do not allow the brush/pad to operate while the machine is stationary to avoid damaging the floor.
- In case of fire, use a powder fire extinguisher, not a water one.
- Do not tamper with the machine safety guards and follow the ordinary maintenance instructions scrupulously.
- Do not allow any object to enter into the openings. Do not use the machine if the openings are clogged. Always keep the openings free from dust, hairs and any other foreign material which could reduce the air flow.
- Do not remove or modify the plates affixed to the machine.
- To manually move the machine, the electromagnetic brake must be disengaged. After moving the machine manually, engage the electromagnetic brake again. Do not use the machine when the electromagnetic brake handwheel is screwed down.
- When the machine is to be pushed for service reasons (missing or discharged batteries, etc.), the speed must not exceed 2.5 mi/h (4 km/h).
- This machine cannot be used on roads or public streets.
- Pay attention during machine transportation when temperature is below freezing point. The water in the recovery tank or in the hoses could freeze and seriously damage the machine.
- Use brushes and pads supplied with the machine or those specified in the Instructions for Use Manual. Using other brushes or pads could reduce safety.
- In case of machine malfunctions, ensure that these are not due to lack of maintenance. If necessary, request assistance from the authorised personnel or from an authorised Service Center.
- If parts must be replaced, require ORIGINAL spare parts from an Authorised Dealer or Retailer.
- To ensure machine proper and safe operation, the scheduled maintenance shown in the relevant chapter of this Manual, must be performed by the authorised personnel or by an authorised Service Center.
- Do not wash the machine with direct or pressurised water jets, or with corrosive substances.
- The machine must be disposed of properly, because of the presence of toxic-harmful materials (batteries, etc.), which are subject to standards that require disposal in special centres (see Scrapping chapter).

MACHINE DESCRIPTION

MACHINE STRUCTURE

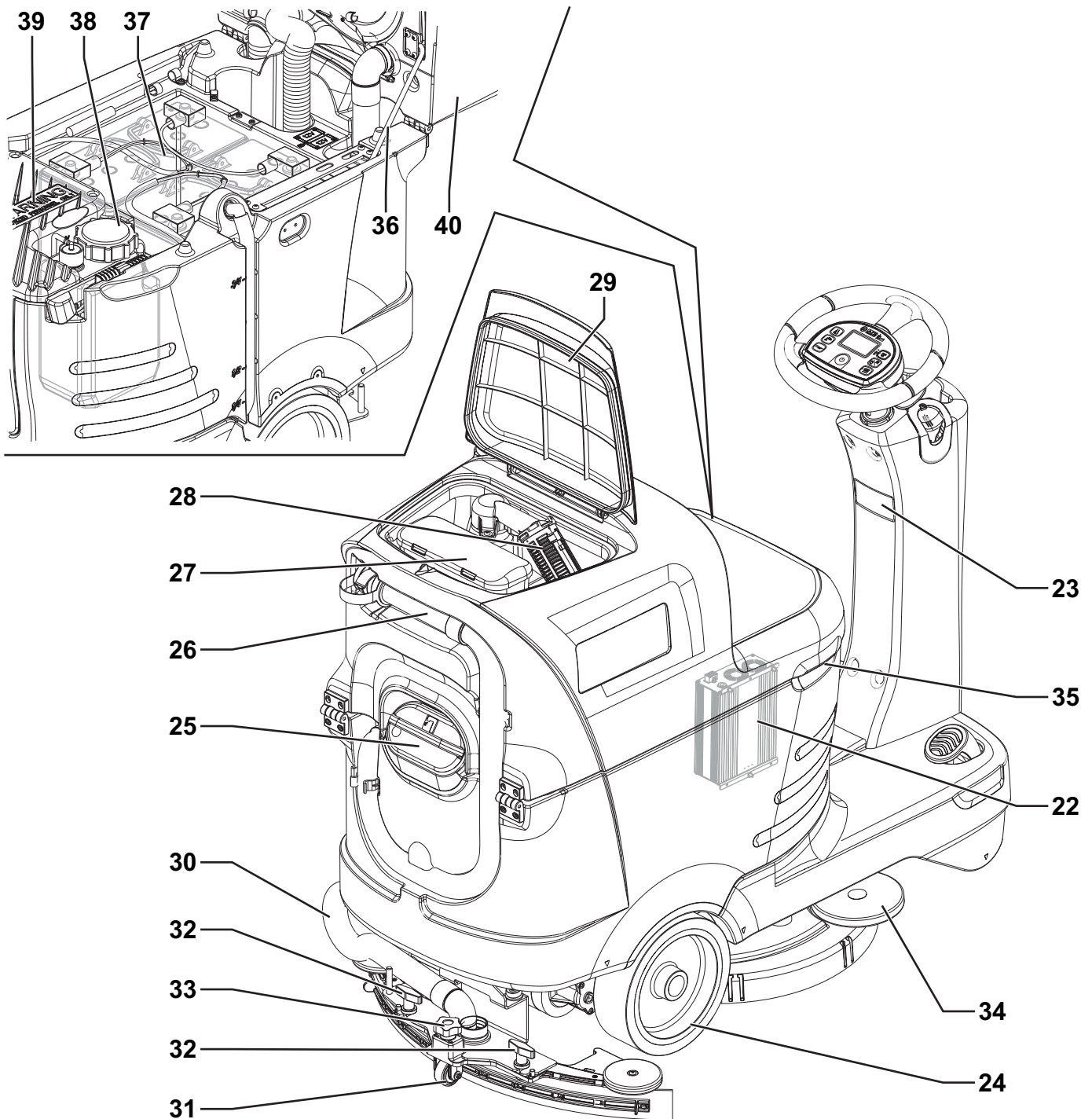
- | | |
|--|--|
| <ol style="list-style-type: none"> 1. Steering wheel with control panel (see the following paragraph) 2. Drive pedal 3. Front steering wheel 4. Electromagnetic brake locking/unlocking lever 5. EMERGENCY push-button, to stop immediately all functions 6. Battery connector 7. Brush deck 8. Washing water filter 9. Washing water valve <ul style="list-style-type: none"> A) Open valve B) Closed valve | <ol style="list-style-type: none"> 10. Solenoid valve 11. Squeegee hook 12. Seat 13. Squeegee 14. Squeegee bumper wheels 15. Washing water tank 16. Washing water level and drain hose 17. Dumping recovery tank assembly 18. Recovery tank cover 19. Can holder 20. Battery charger cable housing and document holder 21. Battery charger cable |
|--|--|



P100859

MACHINE STRUCTURE (Continues)

- | | |
|---|---|
| 22. Battery charger | 31. Squeegee support wheel |
| 23. Serial number plate/technical data/conformity certification | 32. Squeegee mounting handwheels |
| 24. Rear driving wheels | 33. Squeegee adjusting knob |
| 25. Washing water tank filler | 34. Brush deck bumper wheel |
| 26. Recovery water drain hose | 35. Tank assembly and seat lifting handle |
| 27. Container with debris collection grid | 36. Tank assembly and seat support rod |
| 28. Vacuum grid with automatic shut-off float | 37. Batteries (optional) |
| 29. Recovery water tank cover (open) | 38. EcoFlex™ detergent tank |
| 30. Squeegee vacuum hose | 39. Electronic component compartment cover |
| | 40. Lifted recovery tank assembly and driver's seat |



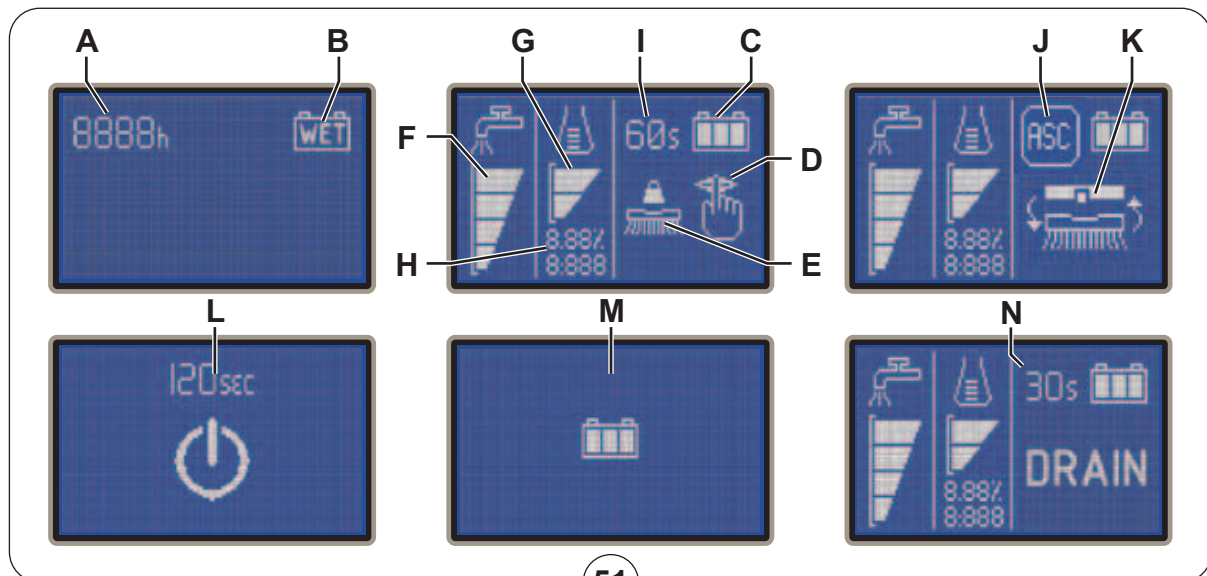
P100860

CONTROL PANEL

- 41. Machine ignition key:
 - Operator key (grey)
 - Super User key (yellow) (see Maintenance chapter)
- 42. Machine start/stop push-button
- 43. One-Touch™ Scrub ON/OFF push-button
 - Flashing green LED: Brush deck moving up/down
 - Steady green LED: Ready for work
 - Steady red LED: Extra pressure active (hold for one second)
- 44. Vacuum system adjustment/deactivation push-button:
 - LED on - solution flow activated
- 45. Brush engage/disengage push-button:
 - Flashing LED - system activated
- 46. Detergent percentage adjustment push-button
- 47. Detergent flow adjustment push-button
- 48. Horn switch
- 49. Reverse gear activation/deactivation lever
- 50. EcoFlex™ activation/deactivation lever
- 51. Multifunction display

Items displayed:

 - A) Hours worked
 - B) Battery type
 - C) Battery charge level
 - D) Vacuum mode
 - E) Brush work mode
 - F) Detergent solution flow quantity
 - G) Detergent quantity
 - H) Percentages of detergent in the washing water
 - I) EcoFlex™ system override timer
 - J) Anti-skid control
 - K) Maximum machine speed setting
 - L) Auto shut-off timer
 - M) Battery charging with on-board battery charger
 - N) EcoFlex™ system drain activation



ACCESSORIES/OPTIONS

In addition to the standard components, the machine can be equipped with the following accessories/options, according to the machine specific use:

- GEL/AGM batteries
- Pivoting light
- Brushes of different materials
- Mop a trash kit
- Pads of different materials
- TrackClean system
- Squeegee blades of different materials
- USB port
- Filling hose

For further information concerning the optional accessories, contact an authorised Retailer.

TECHNICAL DATA

Model	SC2000 53 B
Washing water tank capacity	18.5 US gal (70 liters)
Recovery tank capacity	18.5 US gal (70 liters)
Machine length	50 in (1,270 mm)
Machine width with squeegee	28.3 in (720 mm)
Machine width without squeegee	21.6 in (550 mm)
Machine height	40.1 in (1,020 mm)
Turning space for U-turns	71 in (1,800 mm)
Cleaning width	21 in (530 mm)
Rear driving wheel diameter	10 in (254 mm)
Rear driving wheel specific pressure on the floor	145 psi (1.0 N/mm ²)
Front steering wheel diameter	7.9 in (200 mm)
Front wheel specific pressure on the floor	188 psi (1.3 N/mm ²)
Brush/pad diameter	21 in (530 / 508 mm)
Brush pressure with extra-pressure function turned off	33 lb (15 kg)
Brush pressure with extra-pressure function turned on	66 lb (30 kg)
Solution flow values	0.75 cl/m / 1.5 cl/m / 3.0 cl/m / (2.8 l/min, if enabled)
EcoFlex™ system detergent percentage	0.25 % - 3 %
Sound pressure level at workstation (ISO 11201, ISO 4871, EN 60335-2-72) (LpA)	68 ± 3 dB(A)
Sound pressure level at workstation in silent mode (LpA)	62 ± 3 dB(A)
Machine sound power level (ISO 3744, ISO 4871, EN 60335-2-72) (LwA)	84 dB(A)
Vibration level at the operator's arms (ISO 5349-1, EN 60335-2-72)	130 in/s ² (3.3 m/s ²)
Vibration level at the operator's body (ISO 5349-1, EN 60335-2-72)	35.4 in/s ² (0.9 m/s ²)
Maximum gradient when working	2 %
Drive system motor power	0.53 hp (400 W)
Drive speed (variable)	0 - 3.7 mi/h (0 - 6 km/h)
Vacuum system motor power	0.4 hp (310 W)
Vacuum system circuit capacity	39 in H ₂ O (1,000 mm H ₂ O)
Brush motor power	0.6 hp (450 W)
Brush motor speed	155 rpm
Total absorbed power (*)	26 A (620 W)
IP protection class	X4
Protection class (electric)	III (I for the battery charger)
Battery compartment size	13.8x14.2x11 in (350x360x280 mm)
System voltage	24V
Standard batteries (2)	Discover 12V-105Ah
Battery charger	100-240Vac 50-60Hz, 24Vdc 13A
Operating time (standard batteries) (*)	2.5 hour
Weight without batteries and with empty tanks	267 lb (121 kg)
Gross vehicle weight (GVW)	754 lb (342 kg)
Shipping weight	342 lb (155 kg)

(*) Values reflect standard operating conditions (EN 60335-2-72)

WIRING DIAGRAM

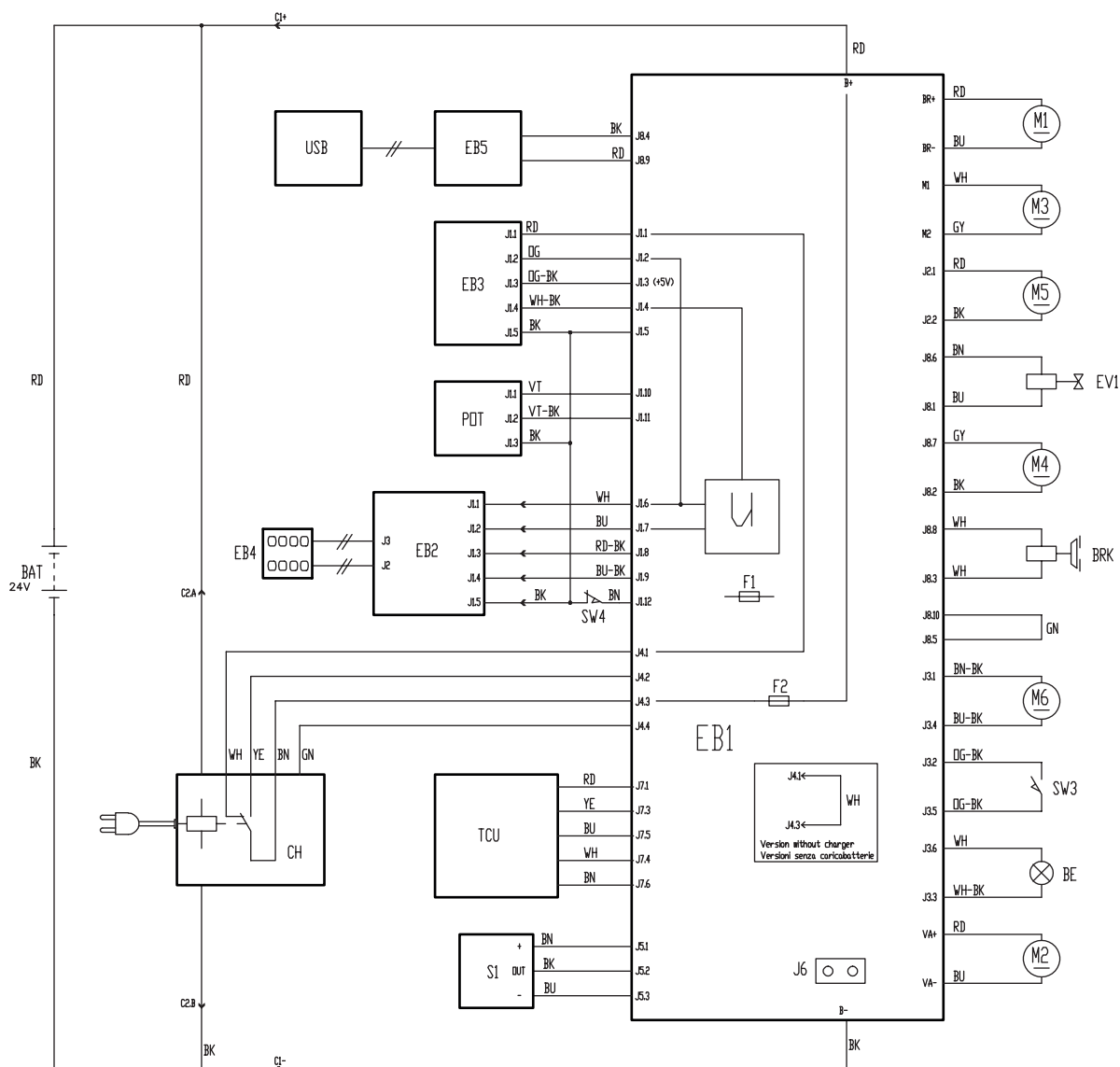
Key

BAT	24V batteries
BE	Pivoting light (optional)
BRK	Electromagnetic brake
C1	Battery connector
C2	Battery charger connector
CH	Battery charger
EB1	Function electronic board
EB2	Display electronic board
EB3	Key electronic board
EB4	Dashboard instrument electronic board
EB5	5V power unit (optional)
EV1	Solenoid valve
F1	Main electronic board fuse
F2	Signal circuit fuse
M1	Brush motor
M2	Vacuum system motor
M3	Drive system motor
M4	EcoFlex™ pump
M5	Brush deck actuator motor
M6	Squeegee actuator motor
POT	Drive pedal potentiometer

S1	Washing water level sensor
SW3	Seat microswitch
SW4	Anti-skid control sensor
TCU	TrackClean™ (optional)
USB	USB port (optional)

Color codes

BK	Black
BU	Blue
BN	Brown
GN	Green
GY	Grey
OG	Orange
PK	Pink
RD	Red
VT	Violet
WH	White
YE	Yellow



P100862

USE



WARNING!

On some points of the machine there are some adhesive plates indicating:

- **DANGER**
- **WARNING**
- **CAUTION**
- **CONSULTATION**

While reading this Manual, the operator must pay particular attention to the symbols shown on the plates (see Visible Symbols On The Machine paragraph).

Do not cover these plates for any reason and immediately replace them if damaged.

BATTERY CHECK/SETTING ON A NEW MACHINE



WARNING!

The electric components of the machine can be seriously damaged if the batteries are either improperly installed or connected. The batteries must be installed by qualified personnel only.

Set the machine according to the type of batteries used.

Check the batteries for damage before installation.

Disconnect the battery connector and the battery charger plug.

Handle the batteries with great care.

Install the battery terminal protection caps supplied with the machine.

The machine requires 2 12V batteries, connected according to the diagram shown in Figure 1.

The machine can be supplied in one of the following modes:

Batteries already installed on the machine

1. Ensure that the battery connector (6) is connected.
2. When first using the machine with new batteries, perform a full charging cycle (see the procedure in Maintenance chapter).

Without batteries

1. Buy appropriate batteries (see "Technical Data" paragraph). For battery choice and installation, apply to qualified battery Retailers.
2. Set the machine according to the type of batteries installed as shown in the Super User key section of the Maintenance chapter.

BATTERY INSTALLATION

Battery Installation

1. Remove the operator key (41).
2. Disconnect the battery connector by pressing the emergency push-button (5).
3. Lift the cover (18) and check that the recovery tank (17) is empty, otherwise empty it with the drain hose (26).
4. Close the cover (18).
5. Grasp the handle (35) and carefully lift the recovery tank assembly (17).
6. The machine is supplied with cables suitable to install 2 12V batteries.
7. Carefully lift the batteries until the relevant compartment, then place them properly.
8. Route and install the battery cable as shown in Figure 1, then carefully tighten the nut on each battery terminal.
9. Place the protection cap on each terminal, then connect the battery connector (6).
10. Disengage the support rod (36), then grasp the handle (35) and carefully lower the recovery tank assembly (17).

Battery Charging

11. Fully charge the batteries (see the procedure in Maintenance chapter).

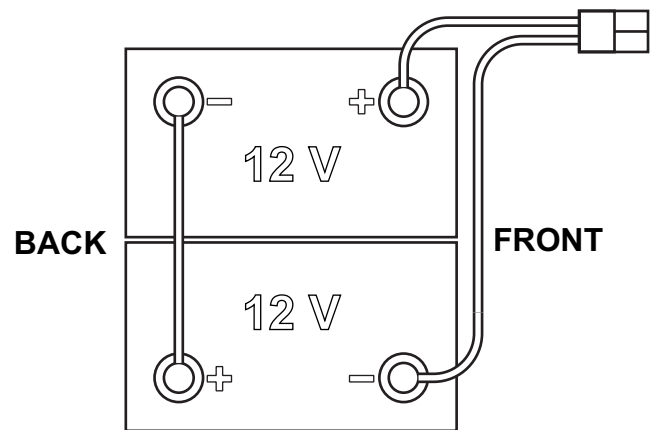


Figure 1

P100863

BEFORE MACHINE START-UP



WARNING!

When starting the machine, or before operating the One-Touch™ push-button (43), make sure that there is no foreign material between the deck and the tank assembly which could obstruct the deck movement. If the machine has been turned off without lifting the deck, the deck would lift automatically at next machine start-up.

Brush or pad-holder removal/installation

1. According to the kind of cleaning to be performed, the machine can be equipped either with the brush (A, Fig. 2) or the pad-holder (B) with pad (C) together with the appropriate deck.
2. Place the brush (A) or the pad-holder (B) under the deck (7).
3. Insert the operator key (41) in its slot.
4. Press the push-button (43) to lower the deck on the brush.
5. Press the switch (45) to engage the brush.
6. To remove the brush, the deck must be lifted by pressing the push-button (43), then press the release push-button (45).
7. When the display shows the icon (51-K), wait for the brush to fall on the floor.

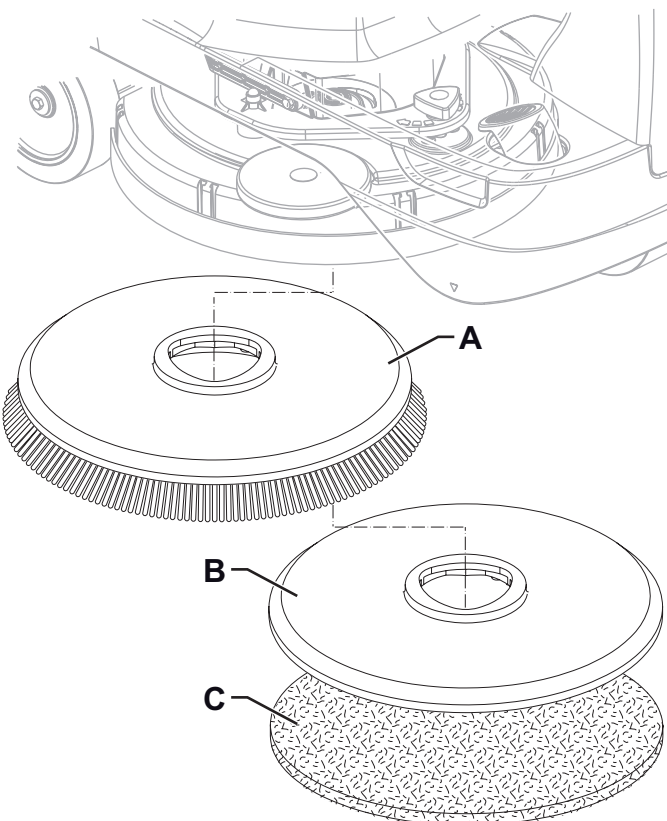


Figure 2

P100864

Available brushes and their relevant application guides (suggestions only)

Models	46 GRIT	80 GRIT	180 GRIT	240 GRIT	500 GRIT	PROLENE	PROLITE	UNION MIX
General cleaning:								
Concrete								
Terrazzo floor								
Ceramic tiles/quarystones								
Marble								
Vinyl tiles								
Rubber tiles								
Polishing:								
Rubber tiles								
Marble								
Vinyl tiles								

Squeegee installation

1. Install the squeegee (A, Fig. 3) and fasten it to the bracket (C) with the handwheels (B).
2. If necessary, adjust the squeegee with the knob (D) so that the rear blade (E) and front blade (F) touch the floor as shown in the figure.

Washing water tank filling

1. Ensure that the washing water valve (9) is open (9-A).
2. To fill the washing water tank (15) remove the filler neck plug (25).
3. Fill the tank (15) with clean water. If equipped, use the water filler hose (optional) located in the filler neck (25). Do not fill the tank completely, leave a few inches from the edge. Use the level hose (16) as reference. The water temperature must not exceed 40 °C.

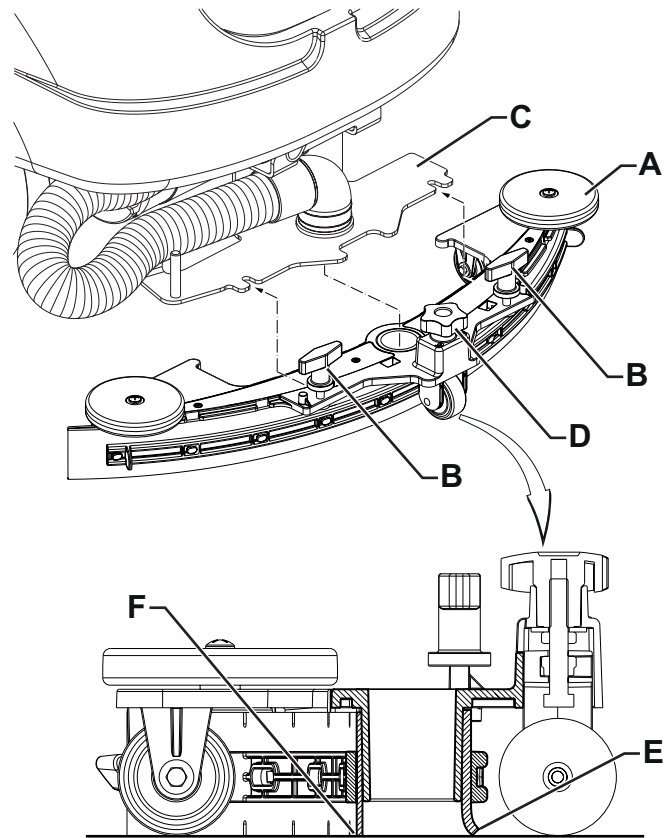


Figure 3

P100865

EcoFlex™ detergent tank filling**WARNING!**

When using floor cleaning detergents, follow the instructions on the labels of the detergent bottles. To handle floor cleaning detergents, wear suitable gloves and protections.

4. Lift the cover (18) and check that the recovery tank (17) is empty, otherwise empty it with the drain hose (26).
5. Close the cover (18).
6. Grasp the handle (35) and carefully lift the recovery tank assembly (17).
7. Fill the tank (38) with a detergent suitable for the work to be performed (highly concentrated detergent). Do not fill the detergent tank completely, leave a few inches from the edge.

**CAUTION!**

Use only low-foam and non-flammable detergents, intended for automatic scrubber applications.

**NOTE**

To accelerate filling of the hoses and system operation (with a new system, if the system has been emptied for cleaning, etc.), it is a good idea to drain the EcoFlex™ system once or several times (see the procedure in the Maintenance chapter).

MACHINE START AND STOP

Starting the machine

1. Prepare the machine as shown in the previous paragraph.
2. To turn on the machine, insert the operator key (41); if the key is already inserted, press the push-button (42).
3. In the first 2 seconds after machine start-up, the multifunction display (51) indicates the machine working hours (51-A) and the type of batteries installed (51-B).

**NOTE**

Check the battery charge level.

When the multifunction display shows at least one segment of the battery symbol (51-C) which is on but not flashing, the machine is ready for use.

When the battery symbol (51-C) shows just one segment flashing, the batteries have to be charged (see the procedure in Maintenance chapter).

4. Drive the machine to the working place, by starting it with both hands on the steering wheel (1) and by pressing the drive pedal (2).

The drive speed can be adjusted from zero to maximum speed according to the pressure on the drive pedal (2).

5. The forward/reverse gear is selected with the relevant lever (49) which is at the right of the steering wheel.

**NOTE**

The driver's seat (12) is equipped with a safety sensor, which allows the machine to be driven by pressing the pedal (2) only when the operator is on the driver's seat.

**NOTE**

The machine is equipped with an anti-skid safety system (display icon (51-J)) that reduces the speed when turning and when the machine tilts laterally, irrespectively of the pressure on the pedal.

In this case, the reduction of speed is not a malfunction but a characteristic that improves the machine stability and safety in every condition.

Stopping the machine

6. Stop the machine by releasing the drive paddle (2). It is not necessary to lock the machine during stopping or parking, because the electromagnetic brake on the wheels turn on automatically when the drive pedal is not pressed.
7. Turn off the machine by removing the operator key (41), or by pressing the push-button (42).

**NOTE**

If the machine is on but not working, it automatically turns off after 2 minutes.

**CAUTION!**

In the event of an emergency, to stop all machine functions immediately, press the push-button (5).

To reset the machine functions, connect the connector (6) again.

MACHINE OPERATION (SCRUBBING/DRYING)

1. Start the machine as shown in the previous paragraph.
2. Press the One-Touch™ button (43) to lower the brush deck (7) and the squeegee (13) and start scrubbing and drying.
3. Start scrubbing, by starting it with both hands on the steering wheel (1) and by pressing the drive pedal (2) as necessary.
4. If necessary, to reduce the noise, turn on the vacuum system mute function by pressing the push-button (44).

**NOTE**

The machine is equipped with a safety system that turns on the brush and vacuum system only when the machine is moving.

5. Adjust the solution flow by pressing the push-button (47) as necessary, depending on the type of cleaning to be performed.



NOTE

For the first 3 flow levels (Fig. 4), the amount of solution dispensed is automatically adjusted according to the machine speed, in order to obtain a constant amount of solution per linear meter of cleaning. Level 4 (when enabled) supplies the maximum possible quantity of detergent solution, regardless of the machine speed (to enable or disable this, see the Super User key section in the Maintenance chapter). The level 0 closes the solution flow completely.

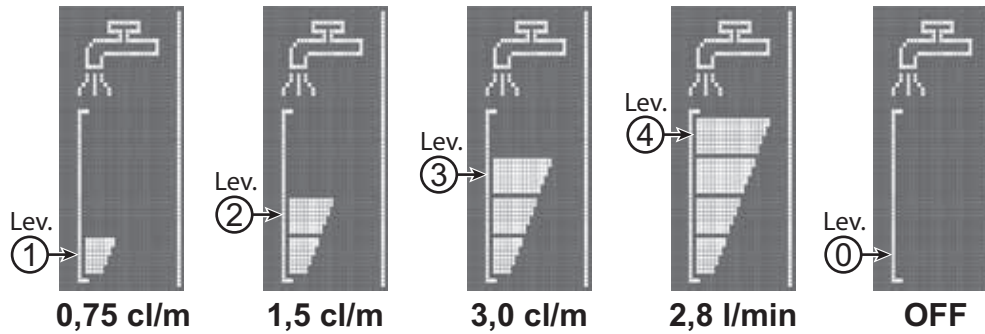


Figure 4

P100866



NOTE

For correct scrubbing/drying of floors at the sides of the walls, Advance suggests to go near the walls with the right side of the machine as shown in figure 5.

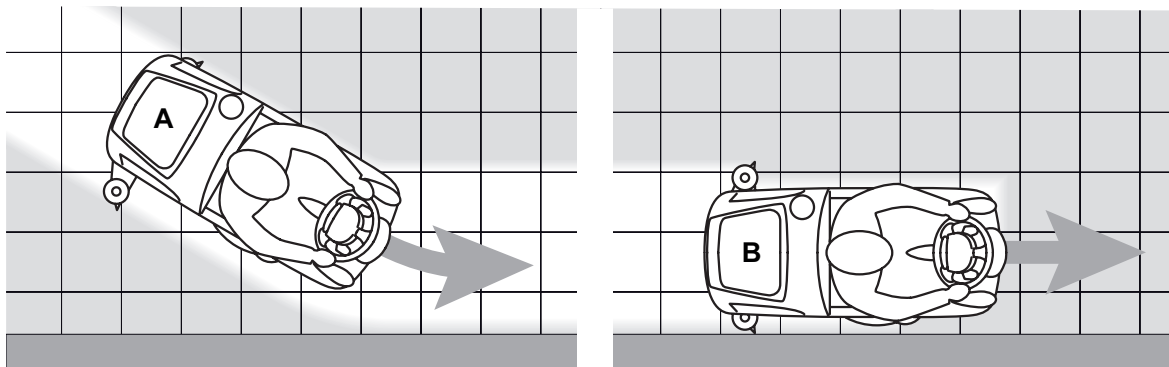


Figure 5

P100867

6. To stop scrubbing/drying, press the push-button (43) and wait for the brush deck (7) to lift. After 10 seconds, the vacuum system turns off too and the squeegee (13) lifts.

Adjusting of detergent concentration in the washing water

(For machines with EcoFlex™ system)

The system for mixing the detergent in the washing water is automatically activated when the brush is running.

The percentage of detergent added to the washing water is set to level 1 (Fig. 6).

By pressing the push-button (46), it is possible to set the percentage level to 2, or reset it to level 0.

The set percentages are shown on the multifunction display (51-G).

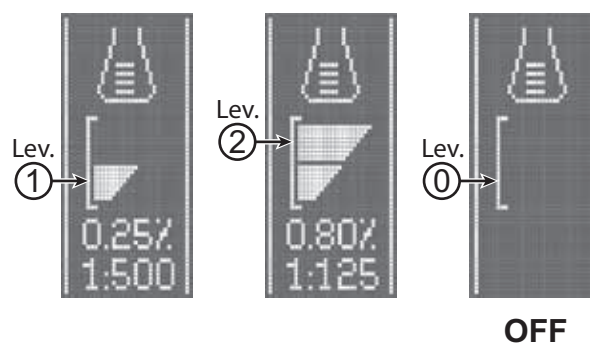


Figure 6

P100868

EcoFlex™ system

Use the EcoFlex™ lever (50) when a temporary stronger washing power is needed.

With the EcoFlex™ system activated, increased solution flow, activation of the extra pressure of the brush and an increase in the solution detergent concentration (level 2 if the level was set to 1 - level 1 if the level was set to 0) is obtained.

By using the EcoFlex™ lever (50) again, the original settings (LED on) are restored.



NOTE

If the lever (D) is not used once again, the original settings are restored automatically after 60 seconds.




NOTE

All of the above solution flow and detergent concentration values are factory settings. To change these settings, see the Super User key section in the Maintenance chapter.

Working with brush extra pressure function turned on

If the floor proves to be particularly difficult to clean, it is possible to turn on the brush extra pressure function, according to the following procedure:

1. Press the push-button (43) to lower the brush deck as shown in "Starting The Machine" paragraph.
2. Press and hold the push-button (43) for more than 1 second. The extra pressure function activation is shown by LED which turns from green to red, and by the icon  on the display (51).
3. To return to normal pressure, press and hold the push-button (43) for more than 1 second.
4. To lift the brush deck without returning to the normal pressure, press the push-button (43) and release it immediately.



CAUTION!

In case of brush motor overload, due to foreign bodies which prevent them from turning, or to excessively aggressive floors/brushes, the safety system stops the brush after about one minute of continuous overload. If the overload takes place when the extra pressure function is on, the system automatically turns the extra pressure function off.

If the overload persists, the brush stops.

To start scrubbing again after a brush stop due to overload, turn off and then on the machine with the push-button (42).

Battery discharge during operation

When there is only one segment turned on and flashing on the battery symbol (51-C), it is advisable to charge the batteries, because the residual autonomy will last for a few minutes (depending on battery characteristics and work to be performed).

When the battery symbol (51-C) is flashing and no segment is turned on, the battery autonomy is over. After a few seconds, the brush is automatically tuned off, while the vacuum system and the drive system stay on, to finish drying the floor and drive the machine to the appointed recharging area.



CAUTION!

Do not use the machine with discharged batteries, to avoid damaging the batteries and reducing the battery life.



NOTE

In case the machine drive system cannot be used in order to move the machine, see Pushing/Towing The Machine paragraph.

TANK EMPTYING

An automatic float shut-off system (28) turns off the vacuum system when the recovery tank (17) is full.

The vacuum system deactivation is signalled by a sudden increase in the vacuum system motor noise, and the floor is not dried.



CAUTION!

If the vacuum system turns off accidentally (for example, when the float is activated because of a sudden machine movement), to resume the operation: turn off the vacuum system by pressing the push-button (44), then open the cover (18) and check that the float inside the grid (28) has gone down. Then close the cover (18) and turn on the vacuum system by pressing the push-button (44).

When the recovery tank (17) is full, empty it according to the following procedure.

Recovery tank emptying

1. Lift the brush deck and the squeegee by pressing the push-button (43).
2. Drive the machine to the appointed disposal area.
3. Turn off the machine with the push-button (42) and remove the operator key (41).
4. Empty the recovery tank (17) with the drain hose (26). Then, rinse the tank with clean water.

Washing water tank emptying

5. Perform steps 1 to 3.
6. Empty the washing water tank (15) using the level hose (16). Then, rinse the tank with clean water.

AFTER USING THE MACHINE

After working, before leaving the machine:

1. Remove the brush as shown in the relevant paragraph.
2. Remove the operator key (41).
3. Empty the tanks (17 and 15) as shown in the previous paragraph.
4. Remove the squeegee (13) and clean it with hot water. Open the recovery tank cover (18) and hang the squeegee on the tank hook (11).
5. Perform the daily maintenance procedures (see the Maintenance chapter).
6. Store the machine in a clean and dry place, with the brush and the squeegee lifted or removed.

PUSHING/TOWING THE MACHINE

To push/tow the machine easily when the drive system cannot be used (for example in case of missing batteries, discharged batteries, etc.), disengage the electromagnetic brake with the lever (4).

When pushing/towing procedure is over, turn the lever (4) to the original position, to engage the electromagnetic brake again.



WARNING!

If the lever (4) is not repositioned after pushing/towing the machine, the electromagnetic brake is disengaged.



WARNING!

Do not start the machine when the electromagnetic brake is disengaged.

For safety reasons, it is recommended to disengage the electromagnetic brake only for the time necessary to manually move the machine.

MACHINE LONG INACTIVITY

If the machine is not going to be used for more than 30 days, proceed as follows:

1. Perform the procedures shown in After using the machine paragraph.
2. For versions with EcoFlex™ system, empty the detergent tank (38) and clean the system with a draining cycle (see the procedure in Maintenance chapter).
3. Close the washing water valve (9-B).
4. Press the emergency push-button (5) to disconnect the battery connector (6).

MAINTENANCE

The lifespan of the machine and its maximum operating safety are ensured by correct and regular maintenance. The following table provides the scheduled maintenance. The intervals shown may vary according to particular working conditions, which are to be defined by the person in charge of the maintenance.



WARNING!

The procedures must be performed with the machine off and the battery disconnected. Moreover, read carefully the instructions in the Safety chapter before performing any maintenance procedure.

All scheduled or extraordinary maintenance procedures must be performed by qualified personnel, or by an authorised Service Center.



CAUTION!



When the Service icon appears on the display (51), contact an authorised Advance Service Centre for scheduled maintenance.

This Manual describes only the simplest and most common maintenance procedures. For other maintenance procedures shown in the Scheduled Maintenance Table, refer to the Service Manual that can be consulted at any Service Center.

SCHEDULED MAINTENANCE TABLE

Procedure	Daily, after using the machine	Weekly	Every six months	Yearly
Battery Charging				
Squeegee Cleaning				
Brush/pad cleaning				
Recovery tank and debris tray cleaning, and cover gasket check				
EcoFlex™ system cleaning and draining				
Squeegee blade check				
Washing water filter cleaning				
Battery (WET) fluid level check				
Squeegee blade replacement				
Electromagnetic brake efficiency check			(1)	
Brush/pad-holder motor carbon brush check or replacement				(1)
Drive system motor carbon brush check or replacement				(1)

(1) This maintenance procedure must be performed by an authorised Advance Service Center.

BATTERY CHARGING**NOTE**

Charge the batteries when there is only one flashing segment displayed in the battery symbol (51-C), or at the end of the shift.

Keeping the batteries charged make their life last longer.

**CAUTION!**

When the batteries are discharged, charge them as soon as possible, as that condition makes their life shorter. Check for battery charge at least once a week.

**WARNING!**

When using lead (WET) batteries, battery charging produces highly explosive hydrogen gas. Charge the batteries in well-ventilated areas and away from naked flames.

Do not smoke while charging the batteries.

Keep the recovery tank raised until the battery charging cycle is over.

**WARNING!**

Pay close attention when charging WET CELL batteries, as there may be battery fluid leakages. The battery fluid is corrosive. If it comes in contact with skin or eyes, rinse thoroughly with water and consult a physician.

1. Drive the machine to the appointed recharging area.
2. Ensure that the machine is off and the operator key (41) has been removed.
3. Lift the cover (29) and check that the recovery tank (17) is empty; if not, empty it using the drain hose (26).
4. Close the cover (18).
5. Grasp the handle (35) and carefully lift the recovery tank assembly (17).
6. (For WET CELL batteries only) Check the level of electrolyte inside the batteries. If necessary, unscrew the caps and top up. When the correct level is restored, close the caps and clean the tops of the batteries.
7. Plug the battery charger cable (21) into the electrical mains (the mains voltage and frequency must be compatible with the battery charger values shown on the machine serial number plate).

**NOTE**

When the battery charger is connected to the electrical mains, all machine functions are automatically cut off.

When the first or second segment from the left in the battery symbol (51-M) is flashing, this means that the battery charger is charging the batteries.

When the third segment from the left in the battery symbol (51-M) is flashing, this means that the battery charger is finishing the battery charging cycle.

8. When all segments of the battery symbol (51-M) are steadily lit, the battery charging cycle is complete.
9. Disconnect the battery charger cable plug (21) from the mains and place it in its holder (20).
10. Disengage the support rod (36), then grasp the handle (35) and carefully lower the recovery tank assembly (17).
11. Now the machine is ready to be used.

**NOTE**

For further information about the operation of the battery charger (22), see the relevant Manual.

SUPER USER KEY (yellow)

The Super User (yellow) key allows you to check some additional information on some machine operating parameters and to adjust others to your specific requirements.

Main Screen (E, Fig. 7)

1. Insert the Super User (yellow) key in place of the operator (grey) key to access the main screen of the multifunction display (51).
2. Press push-button (A) to change the machine settings (see Machine Settings Screen section).
3. Press push-button (B) to check for any stored machine alarms (see Alarms Log Screen section).
4. Press push-button (C) to check the machine's hours of operation (see Operating Time Counter Screen section).
5. Press push-button (D) to exit service mode and return to operator mode.

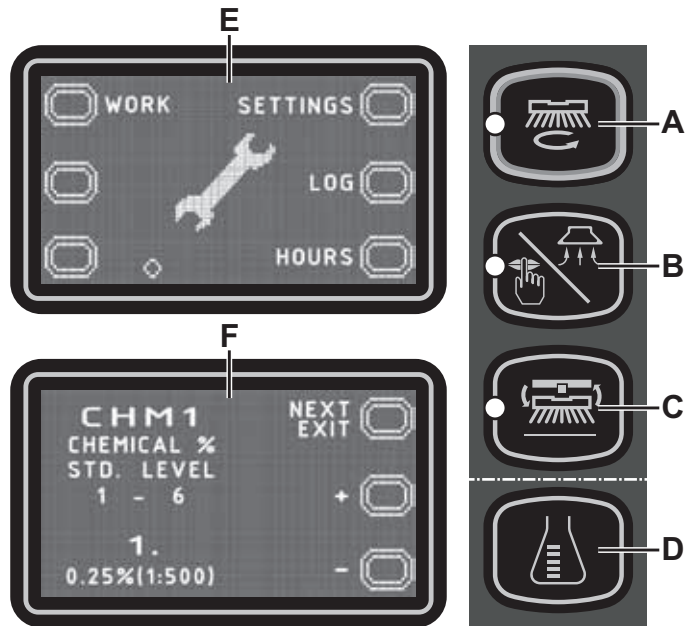


Figure 7

P100869

TABLE OF MODIFIABLE PARAMETERS		Values		
Code	Description	Minimum	Factory Setting	Maximum
CHM1	Detergent concentration level 1	0.25 % (1:500)	0.25 % (1:500)	3 % (1:33)
CHM2	Detergent concentration level 2	0.25 % (1:500)	0.80 % (1:125)	3 % (1:33)
P1/P3	Level 1 solution flow rate in relation to level 3 (flow rate as function of speed)	0 %	25 %	100 %
P2/P3	Level 2 solution flow rate in relation to level 3 (flow rate as function of speed)	0 %	50 %	100 %
P3	Level 3 solution flow rate (flow rate as function of speed)	1.0 cl/m	3.0 cl/m	5.0 cl/m
P4	Enablement of level 4 (2.8 l/min regardless of speed)	OFF	OFF	ON
SPT	EcoFlex™ function timer	0 (disabled)	60 sec.	300 sec.
XPRES	Brush deck extra pressure enablement	OFF	ON	ON
FVMAX	Maximum forward speed	10 %	100 %	100 %
RVMAX	Maximum reverse speed	10 %	40 %	50 %
WSMIN	Minimum working speed	10 %	25 %	100 %
WSMAX	Maximum working speed	10 %	100 %	100 %
BRK	Electromagnetic brake activation delay	0 sec.	3 sec.	5 sec.
BAT (**)	Installed battery type (see table)	0	1	5
TOFF	Automatic shut-off time	0 (disabled)	300 sec.	600 sec.
BRGH	Display contrast	5	20	50
VRID	Silent mode setting	1	1	5
RPM (*)	Reduced brush rpm activation threshold	5	9	20
RESET	Restore factory settings for all parameters	OFF	OFF	ON

(*) Increase the value of this parameter to reduce the brush motor speed in a wider range of applications and vice versa.

(**) As described in the Use chapter, set the machine and the on-board battery charger on the basis of the type of battery to be installed by modifying the BAT parameter from the table below:

Installed battery type		Value
WET	Wet cell batteries	0
GEL / AGM	Generic GEL or AGM batteries	1
GEL EXIDE	GEL batteries or EXIDE®/SONNENSHINE brand	2
GEL OPTIMA	GEL batteries or OPTIMA™ brand	3
GEL DISCOVER	GEL batteries or DISCOVER® brand	4
GEL FULLRIVER	GEL batteries or FULLRIVER® brand	5

Alarms log screen (G, Fig. 8)

This function allows you to check for any stored alarms on the machine.

Use this function only with support from a Advance Service Centre to solve any operating problems.

To return to the main screen (E, Fig. 7), press push-button (A) repeatedly.

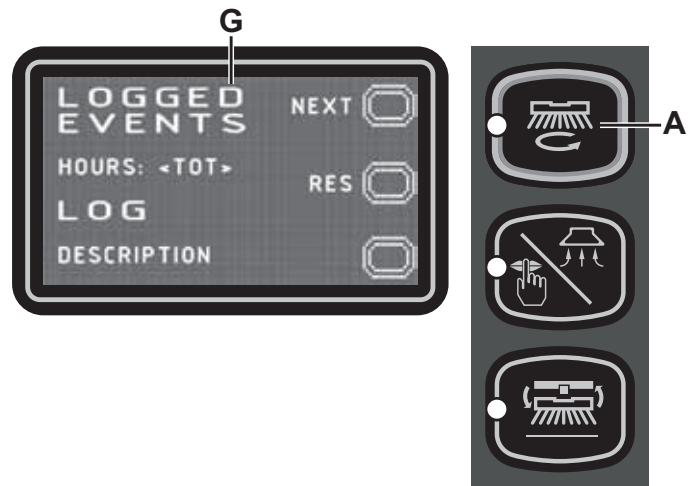


Figure 8

P100870

Operating Time Counter Screen (H, Fig. 9)

This function allows you to check the total accumulated hours of work for each machine subsystem:

- TOTAL counter (machine running time)
- DRIVE counter (drive system usage time)
- BRUSH counter (brush rotation system usage time)
- VACUUM counter (vacuum system usage time)

To return to the main screen (E, Fig. 7), press push-button (A).

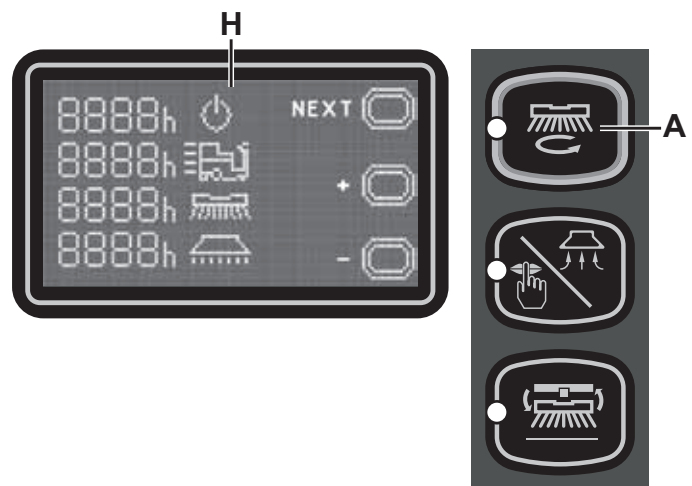


Figure 9

P100871

SQUEEGEE CLEANING**NOTE**

The squeegee must be clean and its blades must be in good conditions in order to get a good drying.

**CAUTION!**

It is advisable to wear protective gloves when cleaning the squeegee because there may be sharp debris.

1. Drive the machine on a level floor.
2. Ensure that the machine is off and the operator key (41) has been removed.
3. Loosen the handwheels (32) and remove the squeegee (13).
4. Wash and clean the squeegee. In particular, clean the compartments (A, Fig. 10) and the vacuum hole (B). Check the condition of the front (C) and rear (D) blades, ensuring there are no cuts and tears; if necessary, replace them as shown below.
5. Install the squeegee in the reverse order of removal.

SQUEEGEE BLADE CHECK AND REPLACEMENT

1. Clean the squeegee as shown in the previous paragraph.
2. Check the condition of the front (C, Fig. 10) and rear (D) blades, ensuring there are no cuts and tears; if necessary, replace them as shown below. Check that the front corner (E) of the rear blade is not worn; otherwise, turn the blade to replace the worn corner with one of the three remaining intact corners. If the other corners are worn too, replace the blade according to the following procedure:
 - Using the tab (F), release and remove the elastic strap (G) from the fasteners (H), then turn or replace the rear blade (D).
 - Install the blade in the reverse order of removal.
 - Unscrew the handwheels (I) and remove the strap (J), then turn or replace the front blade (C).
 - Install the blade in the reverse order of removal.
3. Install the squeegee (13) and screw down the handwheels (32).
4. Lower the squeegee to the floor to check the height of the blades, proceeding as follows:
 - Check that the lip (K) of the front blade (C) and the lip (L) of the rear blade (D) are resting as shown in the figure.
 - Use the knob (33) to make adjustments.

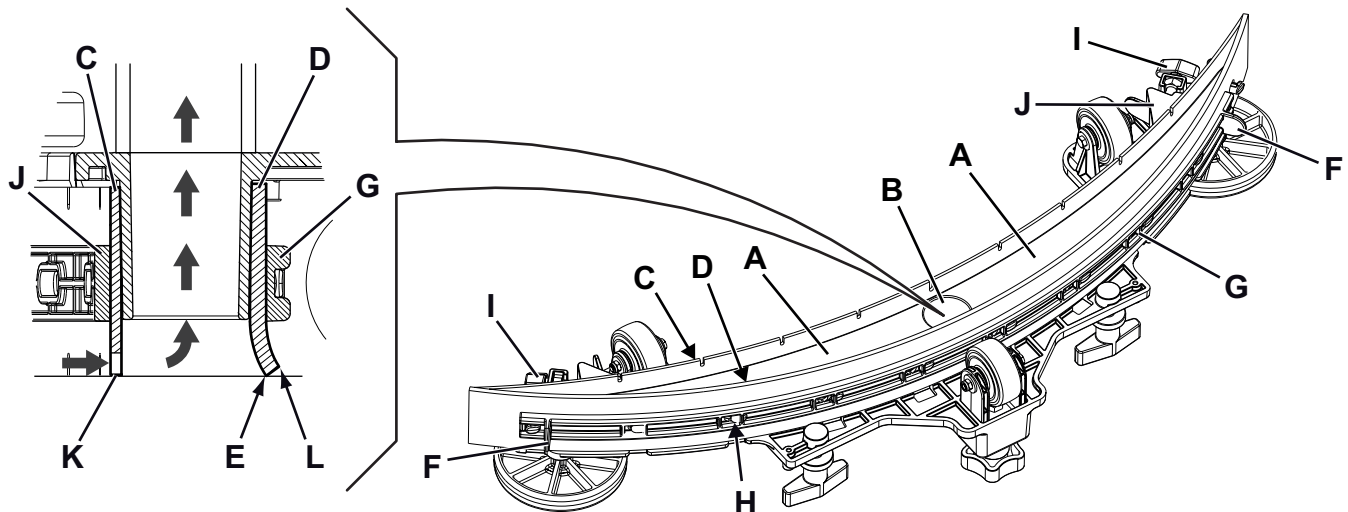


Figure 10

P100872

CLEANING THE BRUSH



CAUTION!

It is advisable to wear protective gloves when cleaning the brush because there may be sharp debris.

1. Remove the brush as shown in Use chapter.
2. Clean the brush with water and detergent.
3. Check the condition of the brush bristles, ensuring they are not excessively worn; if necessary, replace the brush.

RECOVERY TANK CLEANING

1. Drive the machine to the appointed disposal area.
2. Ensure that the machine is off and the operator key (41) has been removed.
3. Raise the cover (18).
4. Wash the inside of the tank (17) and the cover with clean water.
5. Drain the water in the tank through the hose (26).
6. Clean the vacuum grid (28), release the fasteners (A, Fig. 11), open the grid (B) and recover the float (C) then clean it carefully and reinstall it.
7. Remove the debris collection tank (D) and open its cover, then clean it carefully and reinstall it on the vacuum hose.
8. Check the condition of the tank cover gasket (E).



NOTE

The gasket (E) allows the creation of a vacuum in the tank, which is necessary to suck up the recovery water.

If necessary, replace the gasket (E) by removing it from its housing (F). When fitting the new gasket, position the joint (G) in the lower area, as shown in the figure.

9. Check that the seating surface (H) of the gasket (E) is in good condition, clean and suitable to form a seal with the gasket itself.
10. Close the cover (18).

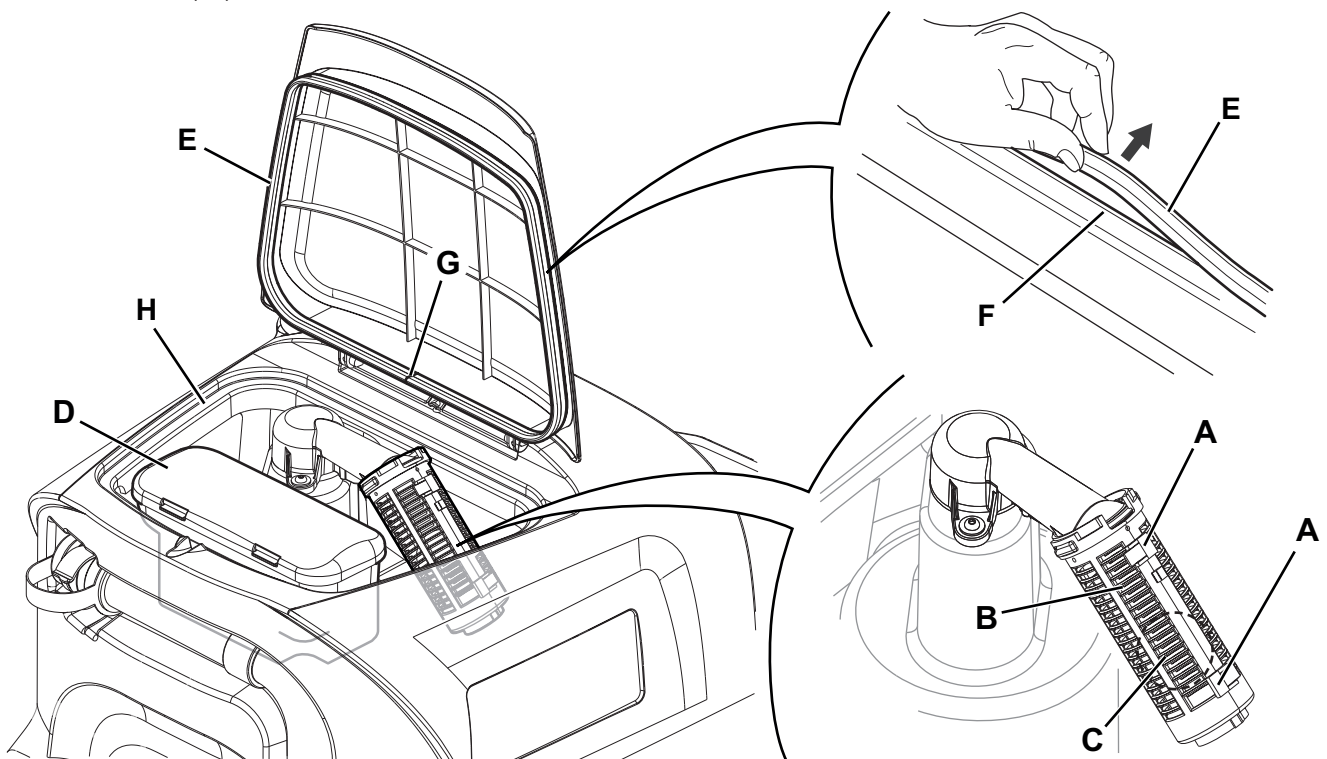


Figure 11

P100873

WASHING WATER FILTER CLEANING

1. Drive the machine on a level floor.
2. Ensure that the machine is off and the operator key (41) has been removed.
3. Close the washing water valve (9). The valve is closed when it is in position (9-B) and it is open when it is in position (9-A).
4. Remove the transparent cover (A, Fig. 12), retrieve the gasket (B), then remove the filter strainer (C). Wash and rinse them with clean water, then refit them carefully onto the filter support (D).
5. Open the valve (9-A).

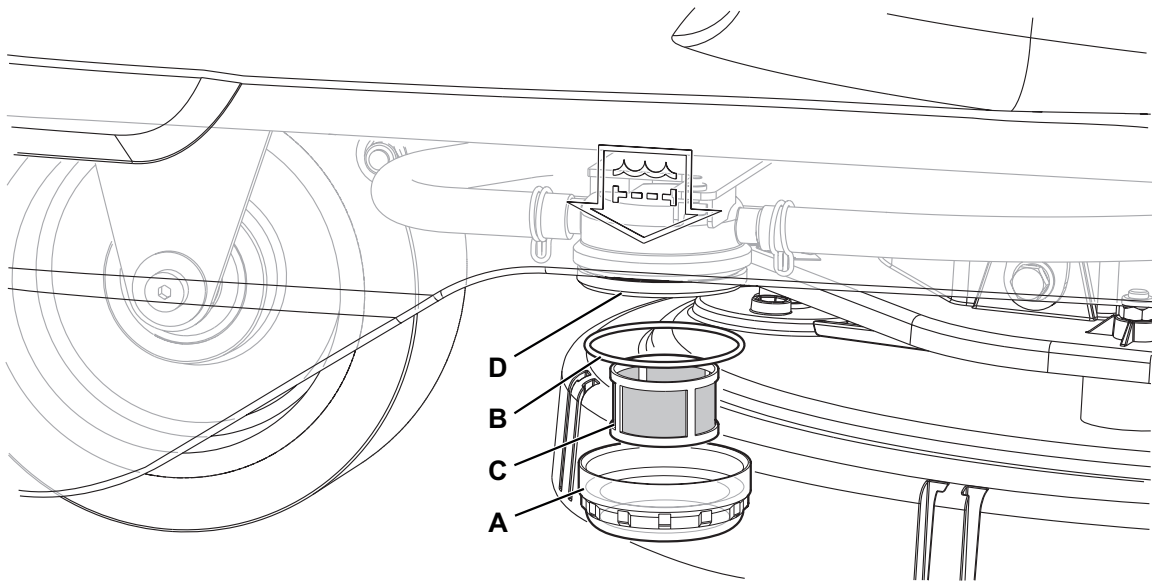


Figure 12

P100874

DETERGENT TANK CLEANING

(For machines with EcoFlex™ system)

Clean the detergent tank (38) as follows.

1. Drive the machine to the appointed disposal area.
2. Ensure that the machine is off and the operator key (41) has been removed.
3. Lift the cover (29) and check that the recovery tank (17) is empty; if not, empty it using the drain hose (26).
4. Close the cover (18).
5. Grasp the handle (35) and carefully lift the recovery tank assembly (17).
6. Unscrew the cap (A, Fig. 13) from the detergent tank (B).
7. Remove the tank.
8. Rinse and wash out the tank with clean water in the appointed disposal area.
9. Replace the detergent tank (B) as shown in the figure, then refit the cap (A).
10. When the detergent tank has been drained, it may be necessary to drain the EcoFlex™ system too (see procedure in following section).

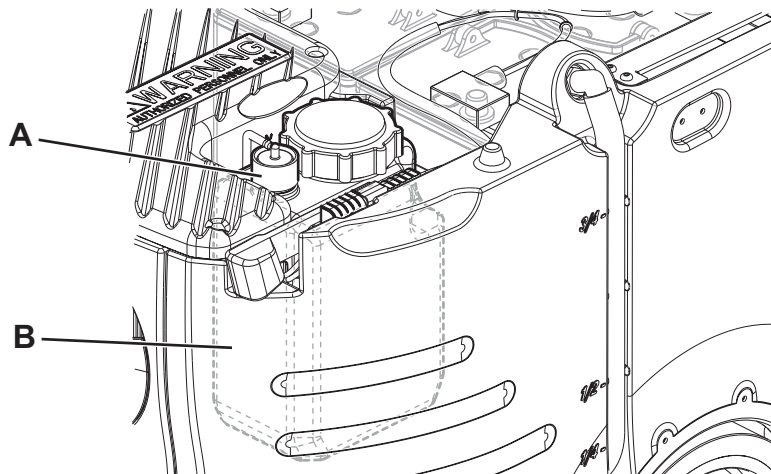


Figure 13

P100875

DRAINING THE ECOFLEX™ SYSTEM

(For machines with EcoFlex™ system)

Clean the detergent tank following the procedure in the previous section.

To remove residual detergent from the detergent hoses and pump, proceed as follows.

1. To turn on the machine, insert the operator key (41) in its slot on the control panel (3); if the key is already inserted, press the push-button (42).
2. Press the push-button (43). Check that the detergent quantity indicator (50-G) on the display has at least one segment lit.
3. Press and hold buttons (46) and (47) at the same time until screen (50-N) appears on the display (after approximately 5 seconds).
4. Release buttons (46) and (47) and wait for the countdown timer on the display to finish and the vacuum system to be activated.
5. Collect the detergent remained on the floor.
6. Remove the operator key (41).
7. Lift the recovery tank assembly (17), then check that the detergent tank hose (38) is empty, otherwise perform steps 3 to 7 again.



NOTE

The draining cycle lasts about 30 seconds, then the vacuum function automatically turns on, which allows to remove the detergent remained.

The draining cycle can also be performed with the detergent tank (38) full of water, thus cleaning the system thoroughly. It is advisable to perform this type of draining to clean the EcoFlex™ system from dirt and deposits if the machine has not been used/cleaned for a long time.

The draining cycle can also be performed to quickly fill the detergent supply hose when the tank (38) is full but the system is still empty.

If necessary, the draining cycle can be performed several times in succession.

FUSE CHECK/REPLACEMENT



NOTE

All machine electrical circuits are protected by auto-resettable electronic devices. The safety fuses activates only in case of serious damage.

It is recommended to have the fuses replaced by qualified personnel only.

Refer to the Service Manual available at any Advance Retailer.

SAFETY FUNCTIONS

The machine is equipped with the following safety functions.

EMERGENCY PUSH-BUTTON

The emergency push-button (5) is located in an easily accessible position. Press it firmly in case of immediate necessity to stop all machine functions.

To reset the machine operation, lift the recovery tank assembly (17) and reconnect the battery connector (6).

ANTI-SKID SAFETY SYSTEM

This system reduces the speed when turning and when the machine tilts laterally to avoid sudden skids, this increasing the machine stability in any condition. The system activation is shown by the icon (51-J) on the display.

DRIVER'S SEAT MICROSWITCH

It is located inside the driver's seat (12) and it does not allow the machine drive system to operate if the operator is not seated on the driver's seat.

ELECTROMAGNETIC BRAKE

It is built-in the rear driving wheels (24) and keeps the machine braked when the machine is off or stopped.

TROUBLESHOOTING

TROUBLE	POSSIBLE CAUSE	REMEDY
The motors are not operating; the display (51) and button LEDs do not turn on.	The battery connector is disconnected.	Connect.
	The batteries are completely discharged.	Charge the batteries.
The machine does not move and the display (51) shows the alarm: WARNING ALARM T3	Machine turned on with pedal pressed.	Release the drive pedal. If the problem persists, contact an authorised Service Center.
At machine start-up, the button (43) LED flashes and the brushes do not work.	Machine switched off without first raising the brush deck.	Wait for the deck to raise before turning the brushes on again by pressing the switch.
The brush does not operate; the battery symbol (51-C) border flashes and the display shows the alarm message: WARNING ALARM G4	The batteries are discharged.	Charge the batteries. If the problem persists, replace the batteries.
When working, the display shows the alarm message: WARNING ALARM F2	Brush motor overload.	Use a different/less aggressive brush and/or avoid working with extra pressure turned on.
	There are foreign materials (tangled threads, etc.) preventing the brush from rotating.	Clean the brush hub.
The display (51) shows the alarm message: WARNING ALARM T2	Drive motor overload.	Turn off the machine and then turn it on again. Avoid using the machine on slopes greater than those indicated or going over excessively tall obstacles.
While recharging the batteries with the on-board battery charger, the display (51) shows the alarm message: WARNING ALARM C4 or C5	Battery charger not able to correctly recharge the batteries within the maximum time.	Run the battery charging cycle again. If the problem persists, replace the batteries.
The display (51) shows an alarm message of the following type: WARNING ALARM XX Where "XX" is a code other than those listed above.	The machine electronic control system is in alarm condition.	Turn off the machine and then turn it on again. If the problem persists, contact an authorised Service Center.
The dirty water vacuuming is insufficient.	The recovery tank is full.	Empty the tank.
	The vacuum grid is clogged or the float is stuck closed.	Clean the vacuum grid.
	Debris collection filter container clogged.	Clean.
	The hose is disconnected from the squeegee.	Connect.
	The squeegee is dirty or the squeegee blades are worn or damaged.	Clean the squeegee or overturn/replace the blades.
	The tank cover is not properly closed, or the gasket is damaged.	Correctly close the cover or clean/replace the gasket.
The solution flow is insufficient.	The washing water tank is empty.	Refill.
	The washing water filter is dirty.	Clean the filter.
	The EcoFlex™ system tank is dirty/encrusted.	Clean with the drain cycle.
The squeegee leaves marks on the floor.	There is debris under the squeegee blades.	Remove the debris.
	The squeegee blades are worn, chipped or torn.	Overturn or replace the blades.
	The squeegee has not been balanced with the handwheel.	Adjust the squeegee.



NOTE

*The machine is inoperative without the battery charger.
In case of battery charger malfunction, contact an authorised Service Center.*

For any further information, contact Advance Service Centres.

SCRAPPING

Have the machine scrapped by a qualified scrapper.

Before scrapping the machine, remove and separate the following materials, which must be disposed of properly according to the Law in force:

- Batteries
- Brushes
- Plastic hoses and components
- Electrical and electronic components (*)

(*) Refer to the nearest Advance Center especially when scrapping electrical and electronic components.

Machine material composition and recyclability

Type	Recyclable percentage	SC2000 weight percentage
Aluminium	100 %	3 %
Electric motors - various	29 %	32 %
Ferrous materials	100 %	23 %
Wiring harness	80 %	7 %
Liquids	100 %	0 %
Plastic - non-recyclable material	0 %	3 %
Plastic - recyclable material	100 %	3 %
Polyethylene	92 %	26 %
Rubber	20 %	2 %

ÍNDICE

INTRODUCCIÓN.....	2
FINALIDAD Y OBJETO DE ESTE MANUAL	2
DESTINATARIOS	2
CONSERVACIÓN DEL MANUAL	2
DATOS DE IDENTIFICACIÓN	2
OTROS MANUALES DE REFERENCIA	2
PIEZAS DE REPUESTO Y MANTENIMIENTO	2
MODIFICACIONES Y MEJORAS	2
CARACTERÍSTICAS DE FUNCIONAMIENTO	3
CONVENCIONES	3
DESEMBALAJE/ENTREGA.....	3
SEGURIDAD	3
SÍMBOLOS VISIBLES EN LA MÁQUINA	3
SÍMBOLOS QUE APARECEN EN EL MANUAL	4
INSTRUCCIONES GENERALES	4
DESCRIPCIÓN DE LA MÁQUINA.....	6
ESTRUCTURA DE LA MÁQUINA	6
PANEL DE CONTROL	8
ACCESORIOS/OPCIONES	9
DATOS TÉCNICOS	9
ESQUEMA ELÉCTRICO	10
USO.....	11
CONTROL/PREPARACIÓN DE LAS BATERÍAS EN LA MÁQUINA NUEVA	11
INSTALACIÓN DE LAS BATERÍAS	11
ANTES DE LA PUESTA EN MARCHA DE LA MÁQUINA	12
PUESTA EN MARCHA Y PARADA DE LA MÁQUINA	14
MÁQUINA EN FUNCIÓN (LAVADO/SECAMIENTO)	14
VACIADO DE LOS DEPÓSITOS	17
DESPUÉS DEL USO DE LA MÁQUINA	17
DESPLAZAMIENTO DE LA MÁQUINA MEDIANTE EMPUJE/REMOLQUE	17
PERIODO DE LARGA INACTIVIDAD DE LA MÁQUINA	17
MANTENIMIENTO	18
ESQUEMA DE MANTENIMIENTO PROGRAMADO	18
CARGA DE LAS BATERÍAS	19
LLAVE DE SERVICIO (amarilla)	20
LIMPIEZA DE LA BOQUILLA	22
CONTROL Y SUSTITUCIÓN DE LOS CAUCHOS DE LA BOQUILLA	22
LIMPIEZA DEL CEPILLO	23
LIMPIEZA DEL DEPÓSITO DEL AGUA DE RECUPERACIÓN	23
LIMPIEZA DEL FILTRO DEL AGUA DE LAVADO	24
LIMPIEZA DEL DEPÓSITO DEL DETERGENTE	24
PURGA SISTEMA ECOFLEX™	25
CONTROL/SUSTITUCIÓN DE LOS FUSIBLES	25
FUNCIONES DE SEGURIDAD.....	26
PULSADOR DE EMERGENCIA	26
SISTEMA DE SEGURIDAD ANTIDERRAPE	26
MICROINTERRUPTOR DEL ASIENTO DE CONDUCCIÓN	26
FRENO ELECTROMAGNÉTICO	26
BÚSQUEDA AVERÍAS	27
ELIMINACIÓN.....	28

INTRODUCCIÓN



NOTA

Los números entre paréntesis se refieren a los componentes ilustrados en el capítulo Descripción de la máquina.

FINALIDAD Y OBJETO DE ESTE MANUAL

Este manual contiene todas las informaciones necesarias para que el operador utilice la máquina de forma adecuada, autónoma y segura. Incluye informaciones inherentes a los datos técnicos, la seguridad, el funcionamiento, el almacenamiento, el mantenimiento, las piezas de repuesto y la eliminación.

Antes de efectuar cualquier operación de mantenimiento, los operadores y los técnicos calificados tienen que leer cuidadosamente las instrucciones incluidas en este manual. En caso de dudas sobre la correcta interpretación de las instrucciones, contactar con Advance para obtener explicaciones.

DESTINATARIOS

Este manual es para los operadores y los técnicos encargados del mantenimiento de la máquina.

Los operadores no deben efectuar procedimientos reservados a los técnicos calificados. Advance no es responsable para los daños causados a la máquina por falta de observación de esta prohibición.

CONSERVACIÓN DEL MANUAL

El Manual de instrucciones de uso y mantenimiento debe conservarse junto a la máquina, dentro de su contenedor, lejos de líquidos y otras sustancias que podrían dañarlo.

DATOS DE IDENTIFICACIÓN

El número de serie y el modelo de la máquina están marcados en la placa del número de serie (23).

En la misma placa se indican también el año de fabricación y el código del producto.

Esta información es necesaria cuando se pidan piezas de repuesto para la máquina. Usar el espacio siguiente para escribir los datos de identificación de la máquina.

Modelo MÁQUINA
Código del PRODUCTO
Número de serie MÁQUINA

OTROS MANUALES DE REFERENCIA

- Manual del cargador de baterías electrónico, que debe considerarse parte integrante de este manual
- Catálogo piezas de repuestos (en dotación a la máquina)
- Manual de asistencia (solo los técnicos calificados lo puede consultar cerca de los Centros de asistencia Advance)

PIEZAS DE REPUESTO Y MANTENIMIENTO

Para cualquier necesidad inherente al uso, mantenimiento y reparación, consultar al personal calificado o los Centros de asistencia Advance. Se recomienda usar sólo piezas de repuesto y accesorios originales.

Para la asistencia o para pedir piezas de repuesto y accesorios acudir a Advance, especificando siempre el modelo, el código del producto y el número de serie de la máquina.

MODIFICACIONES Y MEJORAS

Advance está constantemente mejorando sus productos y se reserva el derecho de realizar modificaciones y mejoras a su discreción, sin verse obligada a aplicar dichas ventajas a las máquinas vendidas previamente.

Sólo Advance puede aprobar y efectuar cualquier modificación y/o instalación de accesorios.

CARACTERÍSTICAS DE FUNCIONAMIENTO

La fregadora/secadora SC2000 es adecuada para limpiar (lavar y secar) suelos lisos y sólidos, en ambiente privado o industrial, en condiciones de seguridad, por un operador calificado.

La fregadora/secadora no es adecuada para limpiar alfombras o moqueta.

CONVENCIONES

En este manual, las indicaciones de adelante, atrás, delantero, trasero, derecho e izquierdo, se refieren al operador en posición de conducción en su asiento (12).

DESEMBALAJE/ENTREGA

Para desembalar la máquina seguir cuidadosamente las instrucciones colocadas sobre el embalaje.

Para desplazar manualmente la máquina, consultar el párrafo Desplazamiento de la máquina mediante empuje/remolque.

Al momento de la entrega, controlar con cuidado el embalaje y la máquina por si hayan sufrido daños durante el transporte.

Si los daños son evidentes, conservar el embalaje, de forma que el transportista que lo ha entregado lo pueda inspeccionar.

Contactarlo de inmediato para compilar una indemnización daños y perjuicios.

Controlar que la máquina sea entregada junto a los siguientes componentes:

- Documentación técnica:
 - Manual de instrucciones de uso de la fregadora/secadora
 - Catálogo piezas de repuestos de la fregadora/secadora
- N° 2 fusibles laminares
- N° 1 parasalpicaduras



¡ATENCIÓN!

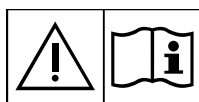
Los Productos a la venta en este Manual contienen, o pueden contener, productos químicos reconocidos por algunos gobiernos (como el Estado de California, según lo indica en su Proposición 65, Ley de Advertencia Regulatoria) como causantes de cáncer, defectos de nacimiento u otros daños reproductivos. En algunas jurisdicciones (incluido el Estado de California), los compradores de estos Productos que los coloquen en servicio en un emplazamiento laboral o en un espacio de acceso público tienen la obligación regulatoria de realizar determinados avisos, advertencias o divulgaciones respecto de los productos químicos contenidos o posiblemente contenidos en los Productos utilizados en tal lugar. Es la responsabilidad del comprador conocer y cumplir con todas las leyes y reglamentaciones relacionadas con el uso de estos Productos en tales entornos. El Fabricante niega toda responsabilidad de informar a los compradores sobre requisitos específicos que pueden regir el uso de los Productos en tales entornos.

SEGURIDAD

La siguiente simbología sirve para señalar situaciones de peligro potencial. Leer siempre cuidadosamente estas informaciones y tomar las precauciones necesarias para proteger personas y cosas.

Para evitar desgracias, la cooperación del operador de la máquina es fundamental. Ningún programa de prevención de accidentes resulta eficaz sin la total cooperación de la persona directamente responsable del funcionamiento de la máquina. La mayoría de los accidentes que pueden ocurrir en una empresa, durante el trabajo o los traslados, son causados por no observar las reglas de seguridad fundamentales. Un operador cuidadoso y cauto es la mejor garantía para evitar posibles accidentes y resulta más eficaz que cualquier programa de prevención.

SÍMBOLOS VISIBLES EN LA MÁQUINA



¡ATENCIÓN!

Leer con cuidado todas las instrucciones antes de efectuar cualquier operación en la máquina.



¡ATENCIÓN!

No lavar la máquina con chorros de agua directa o presurizada.



¡ATENCIÓN!

No usar la máquina sobre rampas o inclinaciones superiores a las especificaciones.

SÍMBOLOS QUE APARECEN EN EL MANUAL



¡PELIGRO!

Indica un peligro con riesgo, incluso mortal, para el operador.



¡ATENCIÓN!

Indica el riesgo potencial de infortunios para las personas.



¡ADVERTENCIA!

Indica una advertencia o una nota sobre una función importante o útil. Tener cuidado de las partes del texto marcadas con este símbolo.



NOTA

Indica una nota sobre una función importante o útil.



CONSULTAS

Indica la necesidad de consultar el Manual de instrucciones de uso antes de efectuar cualquier operación.

INSTRUCCIONES GENERALES

Se describen aquí las advertencias y precauciones específicas por lo que se refiere a los potenciales riesgos de daños a la máquina o a las personas.



¡PELIGRO!

- Antes de efectuar cualquier operación de limpieza de la máquina, mantenimiento o sustitución de piezas, quitar la llave de encendido (o de puesta en marcha) y desconectar el conector de las baterías.
- Sólo los operadores cualificados pueden usar esta máquina.
- Quitarse las joyas cuando se trabaja cerca de los componentes eléctricos.
- No trabajar bajo la máquina levantada si ésta no está fijada con los soportes de seguridad adecuados.
- No activar la máquina en un ambiente donde haya polvo, líquidos o vapores nocivos, peligrosos, inflamables y/o explosivos: esta máquina no es adecuada para recoger polvos peligrosos.
- Si se usan baterías de plomo (WET), tener chispas, llamas y materiales fumantes lejos de las baterías. Durante el uso normal pueden salir gases explosivos.
- Si se usan baterías de plomo (WET), cargando las baterías se produce gas hidrógeno muy explosivo. Levantar el depósito del agua de recuperación durante las operaciones de carga de las baterías y efectuar la carga solo en áreas muy bien ventiladas y lejos de llamas libres.



¡ATENCIÓN!

- Antes de efectuar cualquier operación de mantenimiento/repación, leer cuidadosamente todas las instrucciones relacionadas.
- La llave de encendido (o de puesta en marcha) de la máquina está equipada con un imán incorporado. No colocar objetos con bandas magnéticas (tarjetas de créditos, llaves electrónicas, tarjetas telefónicas y afines) cerca de la llave. El imán incorporado podría dañar o borrar los datos grabados en la banda magnética.
- Antes de usar el cargador de baterías, asegurarse de que la frecuencia y la tensión indicadas en la placa del número de serie de la máquina coincidan con la tensión de la red.
- No tirar o transportar la máquina por el cable del cargador de baterías; no utilizar el cable como manilla. No cerrar el cable del cargador de baterías en una puerta o tirarlo sobre bordes o ángulos afilados. No atropellar el cable del cargador de baterías con la máquina.
- Tener el cable del cargador de baterías lejos de superficies calientes.
- Si el cable o el enchufe del cargador de baterías están dañados, no cargar las baterías de la máquina.
- Para reducir el riesgo de incendio, electrochoque o lesiones, no dejar la máquina conectada a la red eléctrica cuando está sin custodia. Antes de efectuar las operaciones de mantenimiento, desconectar el cable del cargador de baterías de la red eléctrica.
- No fumar cuando se cargan las baterías.
- Para evitar usos no autorizados de la máquina, quitar la llave de encendido.
- No dejar la máquina sin custodia y sin haberse asegurado que no pueda moverse de forma autónoma.

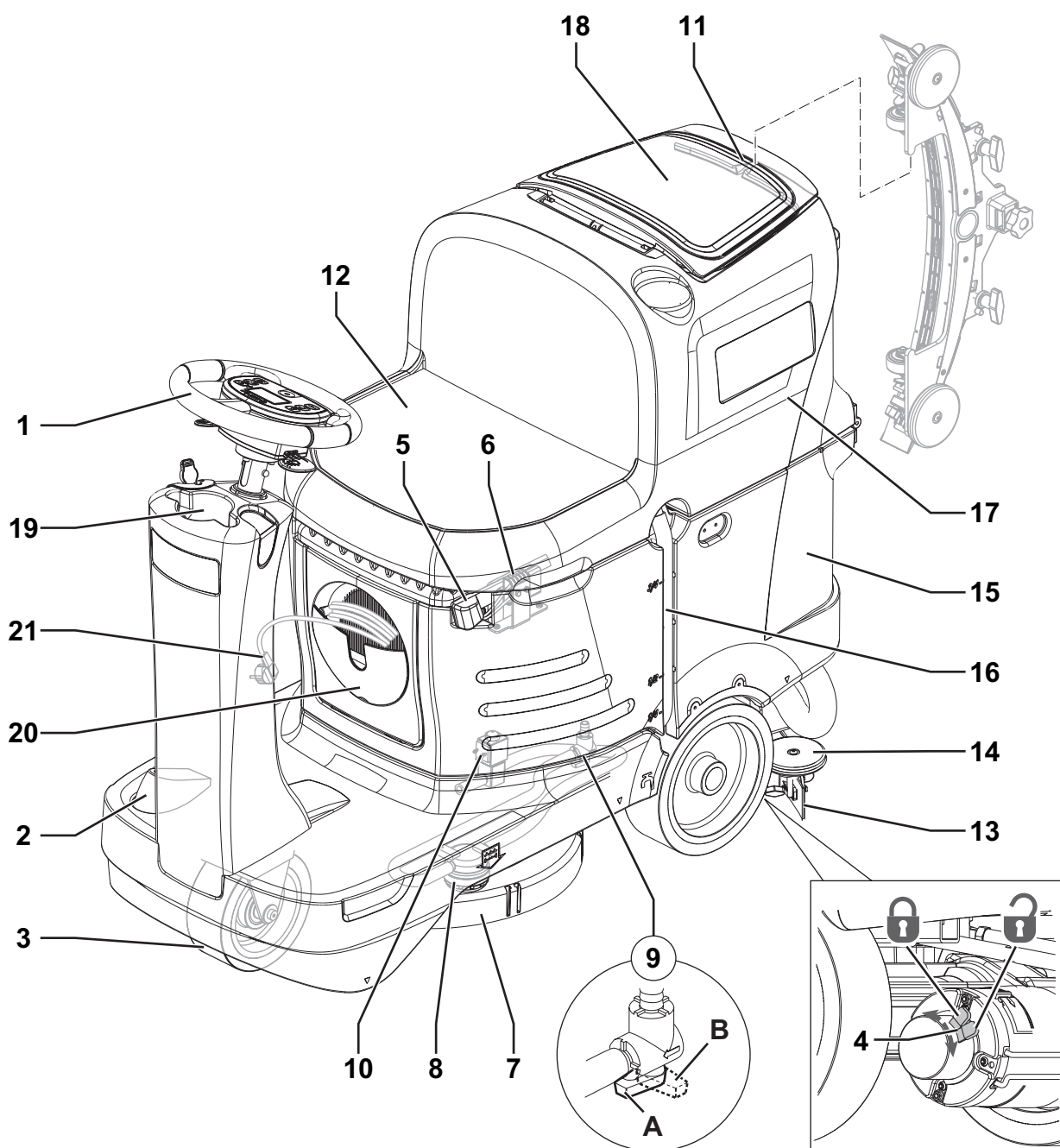
**¡ATENCIÓN!**

- *Proteger siempre la máquina del sol, lluvia y otras intemperies, tanto durante el funcionamiento como durante los periodos de inactividad. Almacenar la máquina en un lugar cerrado y seco: esta máquina sólo se puede usar en seco y no se debe usar o tener al exterior en condiciones de humedad.*
- *Antes de usar la máquina, cerrar todos los portillos y/o las tapas como indicado en el Manual de instrucciones de uso.*
- *El aparato no está diseñado para que lo usen personas (incluidos los niños) con reducidas capacidades físicas, mentales o sensoriales o con experiencia y/o competencias insuficientes, a no ser que lo utilicen bajo la supervisión de una persona responsable de su seguridad o que ésta les enseñe a usarlo. Los niños deben ser supervisados para asegurarse de que no jueguen con el aparato.*
- *Tener mucho cuidado cuando se utiliza cerca de niños. No usar con finalidades diferentes de aquellas indicadas en este manual. Usar sólo accesorios recomendados por Advance.*
- *Controlar con cuidado la máquina antes de usarla, siempre comprobar que se hayan montados correctamente todos los componentes antes de usarla. El uso de la máquina no perfectamente montada puede causar lesiones a personas y daños a los aparatos.*
- *Tomar todas las precauciones necesarias para que el pelo, las joyas y las ropas no sean capturados por las partes móviles de la máquina.*
- *No usar la máquina sobre pendientes.*
- *No inclinar la máquina con un ángulo superior al valor indicado en la máquina misma, para no perjudicar la estabilidad.*
- *No usar la máquina en ambientes demasiado polvorientos.*
- *Usar la máquina sólo en áreas con suficiente iluminación.*
- *Si se va a usar la máquina en presencia de otras personas, además del operador, es necesario equipar la máquina con la luz rotativa (opcional).*
- *Cuando se usa esta máquina, tener cuidado de salvaguardar la incolumidad de personas y cosas.*
- *No chocar contra estanterías o andamios de los que puedan caer objetos.*
- *No apoyar contenedores de líquidos sobre la máquina, usar el portabebidas.*
- *La temperatura de la máquina en trabajo debe estar entre +32 °F y 104 °F (0 °C y +40 °C).*
- *La temperatura de almacenamiento de la máquina debe estar entre 0 °C y +40 °C (+32 °F y 104 °F).*
- *La humedad debe estar entre el 30 % y el 95 %.*
- *Cuando se usan detergentes, seguir las instrucciones y advertencias indicadas en las etiquetas de los frascos.*
- *Cuando se usan detergentes, usar guantes y protecciones adecuadas.*
- *No usar la máquina como vehículo de transporte.*
- *No permitir que el cepillo/filtro funcione mientras la máquina está parada en un punto para evitar posibles daños al suelo.*
- *En caso de incendio usar un extintor de polvo, no de agua.*
- *No adulterar por ninguna razón la máquina, respetar escrupulosamente las instrucciones previstas para el mantenimiento ordinario.*
- *No dejar que material extraño entre en las aperturas. No usar la máquina si las aperturas están obstruidas. Las aperturas deben mantenerse libre de polvo, hilacha, pelos y cualquier otro cuerpo extraño que pueda reducir el flujo de aire.*
- *No quitar ni modificar las placas colocadas en la máquina.*
- *Para desplazar manualmente la máquina es necesario desactivar el freno electromagnético. Tras haber desplazado la máquina manualmente, volver a activar el freno electromagnético. Non usar la máquina si el freno electromagnético está desactivado.*
- *Si se desplaza la máquina mediante empuje por causas de servicio (falta de baterías, baterías descargadas, etc.), no superar la velocidad de 2,5 mph (4 km/h).*
- *Esta máquina no tiene aprobación para el uso en carreteras o vías públicas.*
- *Tener cuidado durante el traslado de la máquina en condiciones de temperatura muy baja. El agua en el depósito del agua de recuperación o en los tubos, podría congelarse y dañar la máquina.*
- *Utilizar sólo los cepillos y los filtros suministrados con la máquina o aquellos especificados en el Manual de instrucciones de uso. Usar otros cepillos o filtros puede perjudicar la seguridad.*
- *Cuando la máquina no funciona correctamente, asegurarse de que esto no sea causado por falta de mantenimiento. En caso contrario, pedir la intervención del personal autorizado o del Centro de asistencia autorizado.*
- *Si deben sustituirse piezas, solicitar piezas de repuesto ORIGINALES a un Concesionario y/o Revendedor autorizado.*
- *Para asegurar condiciones de funcionamiento correcto y seguro, el personal autorizado o el Centro de asistencia autorizado debe llevar a cabo el mantenimiento programado según las especificaciones indicadas en el capítulo relacionado de este manual.*
- *No lavar la máquina con chorros de agua directa o presurizada, o con sustancias corrosivas.*
- *Nunca se debe abandonar la máquina al final del ciclo vital, por la presencia de materiales tóxicos y dañinos (baterías, aceites, etc.) sujetos a normativas que exigen que se realice la eliminación en centros especiales (véase el capítulo Eliminación).*

DESCRIPCIÓN DE LA MÁQUINA

ESTRUCTURA DE LA MÁQUINA

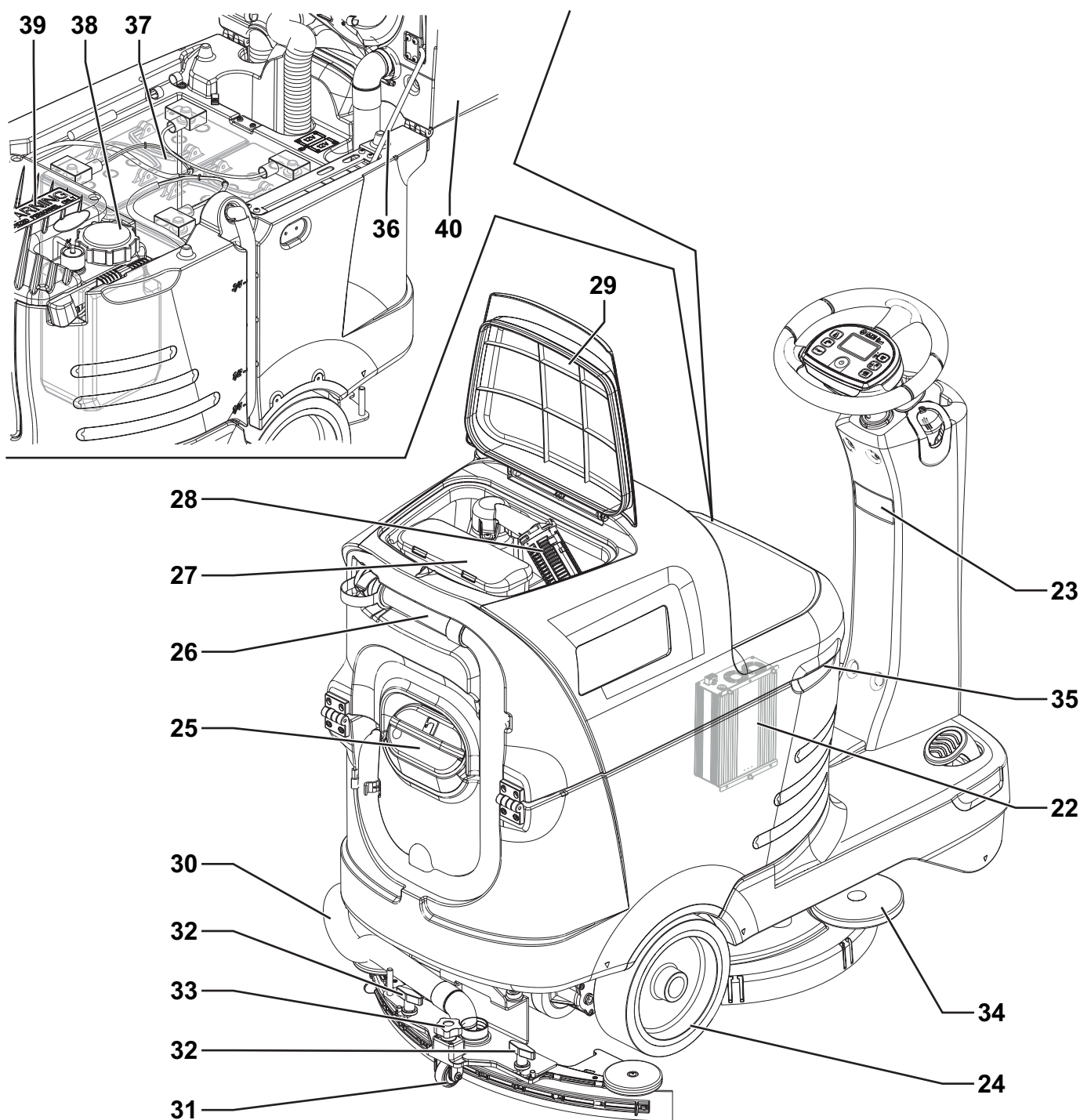
- | | |
|---|---|
| <ol style="list-style-type: none"> 1. Volante con panel de control y mandos (véase el párrafo siguiente) 2. Pedal de marcha 3. Rueda delantera directriz 4. Palanca de desbloqueo/bloqueo del freno electromagnético 5. Pulsador de EMERGENCIA, para la interrupción inmediata de todas las funciones 6. Conector de las baterías 7. Cabezal portacepillo 8. Filtro del agua de lavado 9. Grifo del agua de lavado
A) Grifo abierto
B) Grifo cerrado | <ol style="list-style-type: none"> 10. Electroválvula 11. Gancho para boquilla 12. Asiento 13. Boquilla 14. Rueda paragolpes de la boquilla 15. Depósito del agua de lavado 16. Tubo de nivel y de descarga del agua de lavado 17. Conjunto depósito del agua de recuperación plegable 18. Tapa del depósito del agua de recuperación 19. Portabebidas 20. Vano alojamiento cable cargador de baterías y portadocumentos 21. Cable de alimentación del cargador de baterías |
|---|---|



P100859

ESTRUCTURA DE LA MÁQUINA (Sigue)

- | | |
|---|---|
| <ul style="list-style-type: none"> 22. Cargador de baterías 23. Placa número de serie/datos técnicos/marcación de conformidad 24. Ruedas traseras de tracción 25. Boca de llenado del depósito del agua de lavado 26. Tubo de descarga del agua de recuperación 27. Contenedor con rejilla de recogida de residuos 28. Rejilla de aspiración con sistema de cierre automático de flotador 29. Tapa del depósito del agua de recuperación abierta 30. Tubo de aspiración de la boquilla | <ul style="list-style-type: none"> 31. Ruedas de apoyo de la boquilla 32. Empuñaduras de fijación de la boquilla 33. Perilla de ajuste de la boquilla 34. Rueda paragolpes del cabezal portacepillo 35. Manilla de levantamiento del conjunto depósitos y asiento de conducción 36. Barra de soporte del conjunto depósitos y asiento de conducción 37. Baterías (opcionales) 38. Tanque detergente EcoFlex™ 39. Tapa del compartimento electrónico 40. Conjunto depósito del agua de recuperación y asiento de conducción levantados |
|---|---|



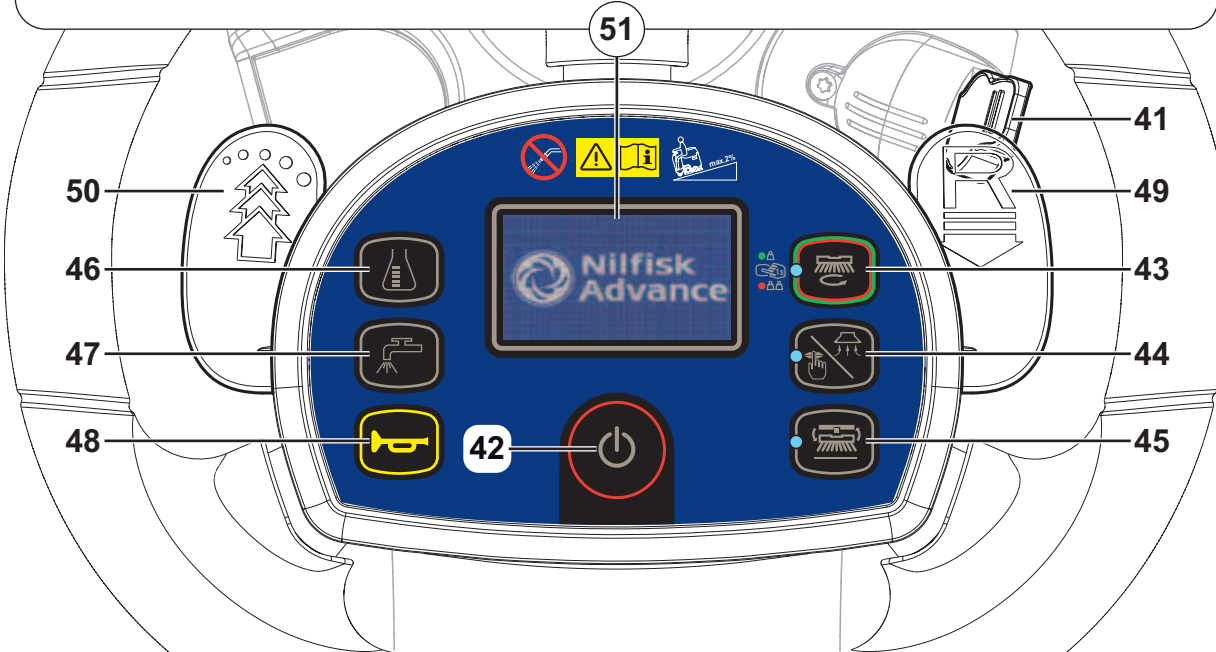
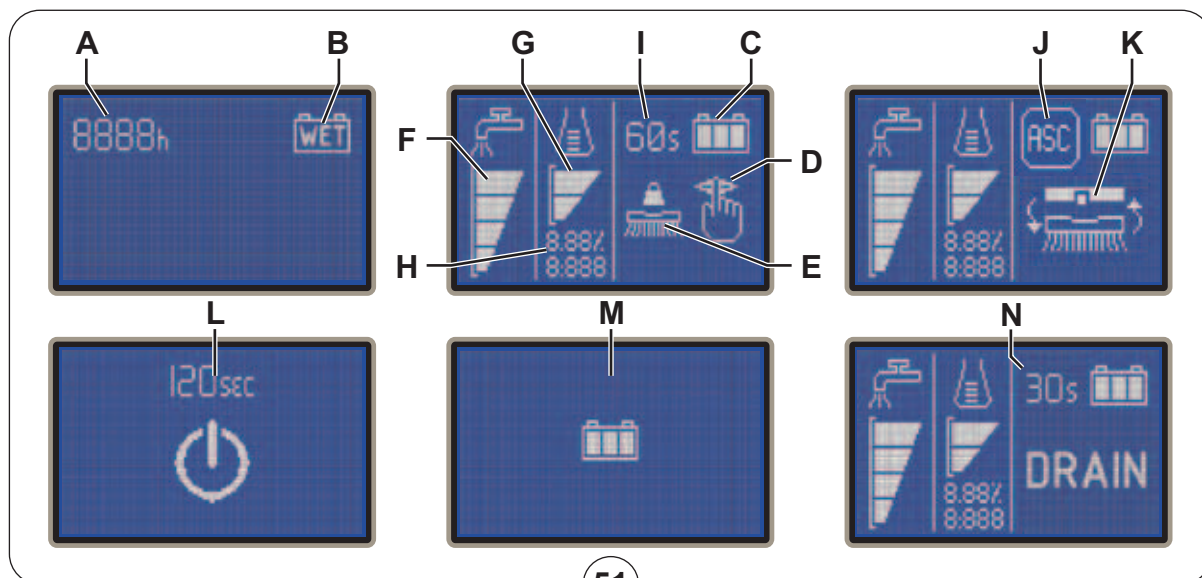
P100860

PANEL DE CONTROL

- 41. Llave de encendido/apagado máquina:
 - Llave operador (gris)
 - Llave de servicio (amarilla) (véase el capítulo Mantenimiento)
- 42. Pulsador de encendido/apagado máquina
- 43. Pulsador One-Touch™ lavado/secado
 - LED verde intermitente - subida/bajada cabezal portacepillo
 - LED verde fijo - máquina en función
 - LED rojo fijo - (pulsar durante unos segundos) presión cepillo suplementar
- 44. Pulsador regulación/desactivación sistema de aspiración:
 - LED encendido - sistema de aspiración activado
- 45. Pulsador enganche/desenganche cepillo:
 - LED intermitente - sistema activado
- 46. Pulsador regulación porcentaje detergente de lavado
- 47. Pulsador regulación del flujo del detergente
- 48. Pulsador de la bocina
- 49. Palanca de activación/desactivación marcha atrás
- 50. Palanca de activación/desactivación EcoFlex™
- 51. Pantalla multifunción

Visualizaciones:

 - A) Horas de trabajo
 - B) Tipología baterías
 - C) Estado de carga de las baterías
 - D) Modalidad de aspiración
 - E) Modalidad trabajo del cepillo
 - F) Cantidad de flujo de la solución detergente
 - G) Cantidad detergente
 - H) Porcentaje detergente en el agua de lavado
 - I) Anulación timer sistema EcoFlex™
 - J) Control antiderrape
 - K) Ajuste velocidad máxima de marcha
 - L) Timer auto apagado
 - M) Carga de baterías con cargador integrado
 - N) Activación expurgación sistema EcoFlex™



ACCESORIOS/OPCIONES

Además de los componentes instalados en la versión estándar, la máquina puede equiparse con los siguientes accesorios/ opciones, según el uso específico:

- Baterías GEL/AGM
- Cepillos de diferentes materiales
- Filtros de diferentes materiales
- Cauchos de la boquilla de diferentes materiales
- Tubo de llenado
- Luz rotativa
- Conjunto "mop a trash"
- Sistema TrackClean
- Puerta USB

Para informaciones suplementarias sobre estos accesorios opcionales, acudir al Revendedor autorizado.

DATOS TÉCNICOS

Modelo	SC2000 53 B
Capacidad del depósito del agua de lavado	18,5 US gal (70 litros)
Capacidad del depósito del agua de recuperación	18,5 US gal (70 litros)
Longitud de la máquina	50 in (1.270 mm)
Anchura de la máquina con boquilla	28,3 in (720 mm)
Anchura de la máquina sin boquilla	21,6 in (550 mm)
Altura de la máquina	40,1 in (1.020 mm)
Espacio de giro para vuelta en U	71 in (1.800 mm)
Anchura de barrido	21 in (530 mm)
Diámetro ruedas traseras de tracción	10 in (254 mm)
Presión específica al suelo de las ruedas traseras de tracción	145 psi (1,0 N/mm ²)
Diámetro rueda delantera directriz	7,9 in (200 mm)
Presión específica al suelo de la rueda delantera	188 psi (1,3 N/mm ²)
Diámetro cepillo/filtro	21 in (530/508 mm)
Presión del cepillo con presión suplementaria desactivada	33 lb (15 kg)
Presión del cepillo con presión suplementaria activada	66 lb (30 kg)
Valores flujo de la solución detergente	0,75 cl/m / 1,5 cl/m / 3,0 cl/m / (2,8 l/min, si habilitado)
Porcentaje de detergente sistema EcoFlex™	0,25 % - 3 %
Presión sonora a la oreja del operador (ISO 11201, ISO 4871, EN 60335-2-72) (LpA)	68 ± 3 dB(A)
Presión sonora a la oreja del operador en modalidad silenciosa (LpA)	62 ± 3 dB(A)
Potencia acústica emitida por la máquina (ISO 3744, ISO 4871, EN 60335-2-72) (LwA)	84 dB(A)
Nivel de vibraciones al brazo del operador (ISO 5349-1, EN 60335-2-72)	130 in/s ² (3,3 m/s ²)
Nivel de vibraciones al cuerpo del operador (ISO 5349-1, EN 60335-2-72)	35,4 in/s ² (0,9 m/s ²)
Inclinación máxima de trabajo	2 %
Potencia del motor del sistema de tracción	0,53 hp (400 W)
Velocidad de tracción (variable)	0 - 3,7 mi/h (0 - 6 km/h)
Potencia del motor del sistema de aspiración	0,4 hp (310 W)
Vacío del circuito del sistema de aspiración	39 in H ₂ O (1.000 mm H ₂ O)
Potencia motor cepillo	0,6 hp (450 W)
Velocidad motor cepillo	155 rpm
Potencia total absorbida (*)	26 A (620 W)
Grado de protección IP	X4
Clase de protección (eléctrica)	III (I para cargador de baterías)
Dimensiones compartimiento baterías	13,8x14,2x11 in (350x360x280 mm)
Tensión del sistema	24V
Baterías estándares (cantidad 2)	Discover 12V-105Ah
Cargador de baterías	100-240Vca 50-60Hz, 24Vcc 13A
Autonomía de trabajo (baterías estándar) (*)	2,5 hora
Peso sin baterías y con los depósitos vacíos	267 lb (121 kg)
Peso máximo en orden de marcha (GVW)	754 lb (342 kg)
Peso de envío	342 lb (155 kg)

(*) Valores en condiciones de trabajo estándar (EN 60335-2-72)

ESQUEMA ELÉCTRICO

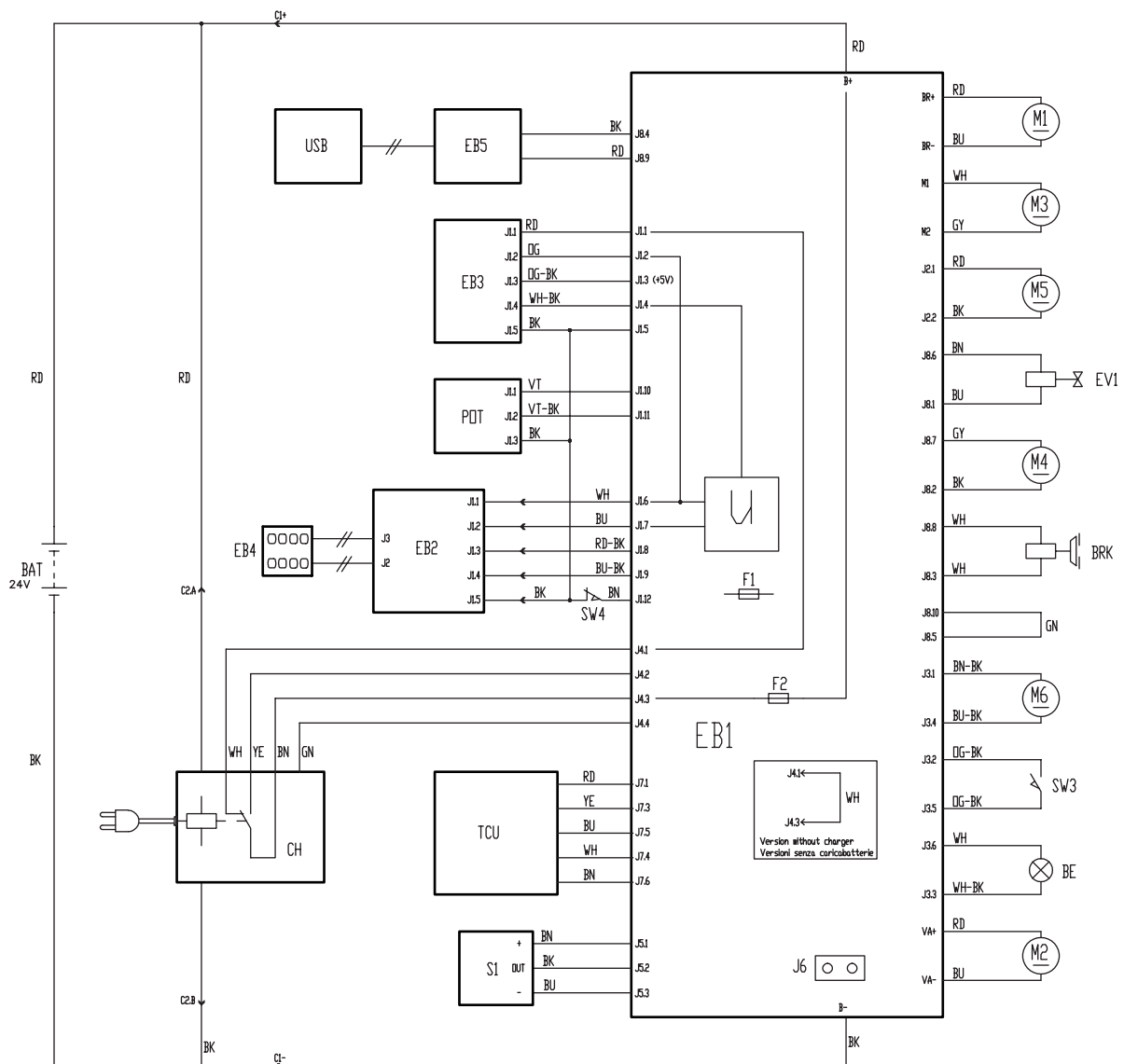
Leyenda

BAT	Baterías 24 V
BE	Luz rotativa (opcional)
BRK	Freno electromagnético
C1	Conector de las baterías
C2	Conector del cargador de baterías
CH	Cargador de baterías
EB1	Tarjeta electrónica funciones
EB2	Tarjeta electrónica del visualizador
EB3	Tarjeta electrónica llave
EB4	Tarjeta electrónica serigrafía tablero de instrumentos
EB5	Unidad de energía de 5V (opcional)
EV1	Electroválvula
F1	Fusible tarjeta electrónica principal
F2	Fusible de los circuitos de señal
M1	Motor del cepillo
M2	Motor del sistema de aspiración
M3	Motor tracción
M4	Bomba EcoFlex™
M5	Motor actuador cabezal portacepillo
M6	Motor actuador boquilla
POT	Potenciómetro pedal de marcha

S1	Sensor nivel agua de lavado
SW3	Microinterruptor asiento
SW4	Sensor de control antiderrape
TCU	TrackClean™ (opcional)
USB	USB puerto (opcional)

Códigos color

BK	Negro
BU	Azul
BN	Marrón
GN	Verde
GY	Gris
OG	Anaranjado
PK	Rosado
RD	Rojo
VT	Morado
WH	Blanco
YE	Amarillo



P100862

USO**¡ATENCIÓN!**

En unas partes de la máquina hay unas placas adhesivas que indican:

- PELIGRO
- ATENCIÓN
- ADVERTENCIA
- CONSULTAS

Leyendo este Manual, el operador tiene que aprender el sentido de los símbolos indicados en las placas (véase el párrafo Símbolos visibles en la máquina).

Por ninguna razón estas placas deben cubrirse y si están dañadas tienen que sustituirse de inmediato.

CONTROL/PREPARACIÓN DE LAS BATERÍAS EN LA MÁQUINA NUEVA**¡ATENCIÓN!**

Si no se instalan correctamente las baterías, los componentes eléctricos de la máquina podrían dañarse. Sólo el personal calificado puede efectuar la instalación de las baterías.

Configurar la máquina según el tipo de baterías utilizadas.

Antes de instalar las baterías, controlar que no estén dañadas.

Desconectar el conector de las baterías o el enchufe del cargador de baterías.

Desplazar las baterías con mucho cuidado.

Instalar las tapas de protección de los terminales de las baterías, en dotación a la máquina.

La máquina necesita de 2 baterías de 12 V, conectadas según el esquema que se indica en la Figura 1.

La máquina puede ser entregada con las siguientes configuraciones:

Baterías instaladas en la máquina y listas para su uso

1. Asegurarse de que el conector de las baterías (6) esté conectado.
2. Cuando se utiliza la máquina por primera vez con baterías nuevas, efectuar un ciclo de carga completa de las baterías (véase procedimiento en el capítulo Mantenimiento).

Sin baterías

1. Comprar baterías adecuadas (véase el párrafo "Datos técnicos"). Para escoger e instalar las baterías, acudir a un Revendedor calificado.
2. Según el tipo de baterías elegidas, configurar la máquina actuando como se indica en el párrafo Llave de servicio en el capítulo Mantenimiento.

INSTALACIÓN DE LAS BATERÍAS**Instalación de las baterías**

1. Quitar la llave operador (41).
2. Desconectar el conector de las baterías pulsando el pulsador de emergencia (5).
3. Levantar la tapa (18) y controlar que el depósito del agua de recuperación (17) esté vacío, si no vaciarlo mediante el tubo de descarga (26).
4. Cerrar la tapa (18).
5. Empuñar la manilla (35) y levantar el conjunto depósito del agua de recuperación (17) con cuidado.
6. La máquina está equipada en fábrica con cables suficientes para instalar 2 baterías de 12 V.
7. Levantar con cuidado las baterías hasta su alojamiento, luego colocarlas de manera correcta.
8. Colocar e instalar los cables de las baterías como se indica en el esquema de la Figura 1, luego apretar con atención el dado sobre cada borne de las baterías.
9. Colocar la tapa de protección encima de cada borne, luego conectar el conector de las baterías (6).
10. Soltar la barra de soporte (36), luego empuñar la manilla (35) y levantar el conjunto depósito del agua de recuperación (17) con cuidado.

Carga de las baterías

11. Efectuar un ciclo de carga completa de las baterías (véase procedimiento en el capítulo Mantenimiento).

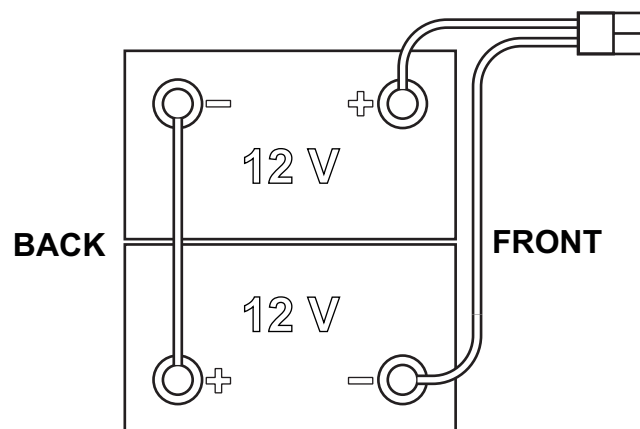


Figura 1

P100863

ANTES DE LA PUESTA EN MARCHA DE LA MÁQUINA



¡ATENCIÓN!

Cada vez que se pone en marcha la máquina o antes de accionar el pulsador One-Touch™ (43), comprobar que no hay cuerpos extraños entre el cabezal y la estructura del depósito, que puedan obstaculizar la subida del cabezal. Si se ha apagado la máquina sin haber levantado el cabezal, cuando se va a poner de nuevo en marcha la máquina, el cabezal se levantará automáticamente.

Instalación/remoción del cepillo o del portafiltro

1. En la máquina se pueden instalar tanto el cepillo (A, Fig. 2) como el portafiltro (B) con filtro (C), según el tipo de tratamiento a efectuar en el suelo.
2. Colocar el cepillo (A) o el portafiltro (B) bajo el cabezal portacepillo (7).
3. Introducir la llave operador (41) en su alojamiento.
4. Apretar el pulsador (43), para bajar el cabezal sobre el cepillo.
5. Apretar el pulsador (45) para enganchar el cepillo.
6. Para quitar el cepillo es necesario levantar el cabezal apretando el pulsador (43), luego apretar el pulsador de desenganche (45).
7. Cuando en la pantalla se visualiza el icono (51-K), esperar a que el cepillo caiga al suelo.

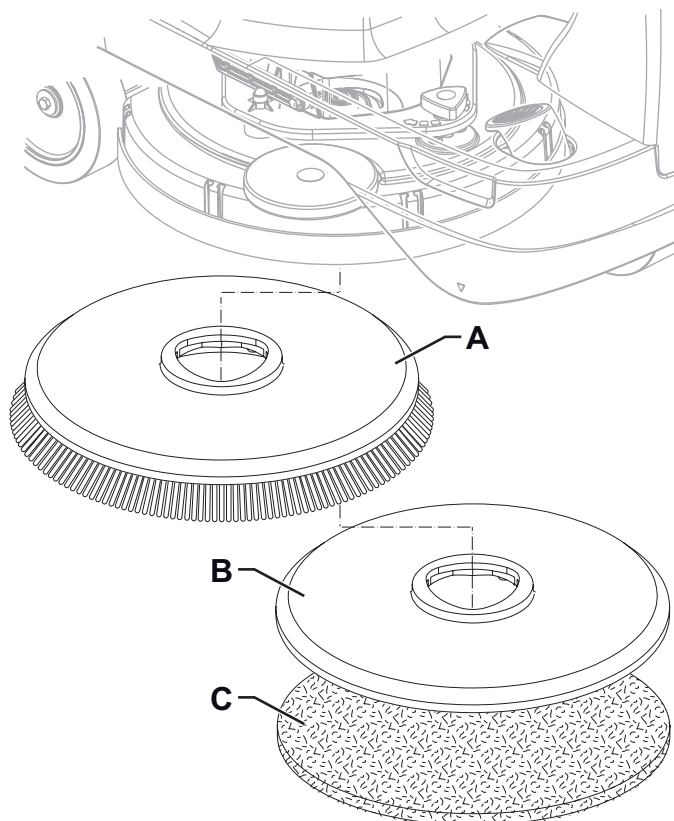


Figura 2

P100864

Tipos de cepillos disponibles y guía para su aplicación (sólo sugerencias)

Modelos	46 GRIT	80 GRIT	180 GRIT	240 GRIT	500 GRIT	PROLENE	PROLITE	UNION MIX
Limpeza general:								
Hormigón								
Suelo terraza								
Baldosas de cerámica/de cantera								
Mármol								
Baldosas de vinilo								
Baldosas de caucho								
Lustrado:								
Baldosas de caucho								
Mármol								
Baldosas de vinilo								

Instalación de la boquilla

1. Instalar la boquilla (A, Fig. 3) y fijarla con las empuñaduras (B) en la abrazadera (C).
2. Si necesario, regular la boquilla con la perilla (D) para que el caucho posterior (E) y el caucho anterior (F) toquen el suelo como indicado en la figura.

Llenado del depósito del agua de lavado

1. Asegurarse que el grifo del agua de lavado (9) esté en la posición de abierto (9-A).
2. Para llenar el depósito del agua de lavado (15) quitar el tapón de la boca de llenado (25).
3. Llenar el depósito (15) con agua limpia. Si está presente, el tubo de llenado agua (opcional) posicionado en la boca de llenado (25).

No llenar completamente el depósito, dejar unos centímetros del borde. Utilizar el tubo de nivel (16) como referencia.

La temperatura del agua no debe superar los 40 °C.

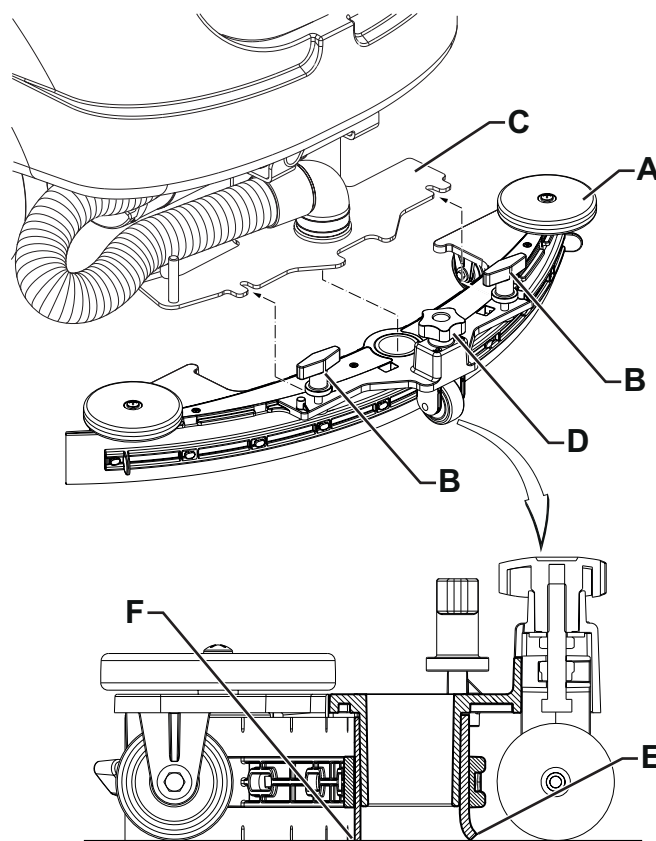


Figura 3

P100865

Llenado del depósito del detergente EcoFlex™**¡ATENCIÓN!**

Cuando se usan detergentes, seguir las instrucciones y advertencias indicadas en las etiquetas de los frascos. Cuando se usan detergentes, usar guantes y protecciones adecuadas.

4. Levantar la tapa (18) y controlar que el depósito del agua de recuperación (17) esté vacío, si no vaciarlo mediante el tubo de descarga (26).
5. Cerrar la tapa (18).
6. Empuñar la manilla (35) y levantar el conjunto depósito del agua de recuperación (17) con cuidado.
7. Rellenar el depósito (38) con un detergente adecuado para el trabajo a realizar (detergente de alta concentración). No llenar completamente el depósito del detergente, sino dejar unos centímetros del borde.

**¡ADVERTENCIA!**

Usar exclusivamente detergentes líquidos poco espumosos y no inflamables, que sean adecuados para este tipo de máquina.

**NOTA**

Para acelerar el procedimiento de llenado de las tuberías y el funcionamiento del sistema (en caso de sistema nuevo, de sistema vaciado para limpieza, etc.), podría ser útil efectuar uno o más ciclos de expurgación del sistema EcoFlex™ (véase el procedimiento en el capítulo Mantenimiento).

PUESTA EN MARCHA Y PARADA DE LA MÁQUINA

Puesta en marcha de la máquina

1. Preparar la máquina como indicado en el párrafo antecedente.
2. Introducir la llave operador (41) para encender la máquina, o, si la llave ya se encuentra en su alojamiento, apretando el pulsador (42).
3. Durante los 2 primeros segundos desde el encendido, la pantalla multifunción (51) indica las horas de trabajo de la máquina (51-A) y la tipología de baterías instaladas (51-B).



NOTA

Controlar el estado de carga de las baterías.

Cuando en la pantalla multifunción se enciende por lo menos un segmento no intermitente en el símbolo batería (51-C) la máquina está lista para su uso.

Cuando en el símbolo batería (51-C) se queda encendido un solo segmento intermitente es conveniente cargar las baterías (véase procedimiento en el capítulo Mantenimiento).

4. Llegar al lugar de trabajo, conduciendo la máquina con ambas manos sobre el volante (1) y pisando el pedal de marcha (2). La velocidad de marcha se puede ajustar de cero al valor máximo según la presión aplicada al pedal de marcha (2).
5. La marcha adelante/atrás se selecciona mediante la palanca (49) que se encuentra a la derecha del volante.



NOTA

El asiento (12) está equipado de un sensor de seguridad para permitir que la máquina se mueva mediante el pedal (2) sólo cuando el operador está sentado en el asiento mismo.



NOTA

La máquina está equipada de un sistema de seguridad antiderrape [icono en la pantalla (51-J)] que reduce la velocidad de marcha durante las vueltas y en caso de inclinación de la máquina, independientemente de la presión sobre el pedal. La reducción de velocidad durante las vueltas, por lo tanto, no es un funcionamiento incorrecto, sino una característica que aumenta la estabilidad y la seguridad de la máquina en cada condición.

Parada de la máquina

6. Parar la marcha de la máquina soltando el pedal de marcha (2). No es necesario bloquear la máquina durante la parada o el estacionamiento, porque el freno electromagnético en las ruedas frena automáticamente la máquina cuando no se pisa el pedal de marcha.
7. Apagar la máquina quitando la llave operador (41), o apretando el pulsador (42).



NOTA

La máquina que se queda encendida pero parada de cualquier actividad de trabajo, se apaga automáticamente después de 2 minutos.



¡ADVERTENCIA!

En caso de necesidad inmediata y para parar la máquina y todas sus funciones en caso de emergencia, apretar el pulsador (5).

Para volver a reactivar todas las funciones, reconectar el conector (6).

MÁQUINA EN FUNCIÓN (LAVADO/SECAMIENTO)

1. Poner en marcha la máquina como indicado en el párrafo antecedente.
2. Apretar el pulsador One-Touch™ (43) para bajar el cabezal portacepillo (7) y la boquilla (13) y empezar el trabajo de lavado y secado.
3. Empezar el trabajo, conduciendo la máquina con ambas manos sobre el volante (1) y pisando adecuadamente el pedal de marcha (2).
4. Si necesario, para reducir el ruido al mínimo, activar la función de aspiración silenciosa apretando el pulsador (44).



NOTA

La máquina está equipada de un sistema de seguridad que permite activar el cepillo y el sistema de aspiración sólo cuando la máquina se mueve.

5. Regular la cantidad de flujo del detergente apretando el pulsador (47) según las propias necesidades, en función del trabajo que se debe efectuar.



NOTA

Para los 3 primeros niveles de flujos (Fig. 4), la cantidad de solución detergente dispensada se ajusta automáticamente según la velocidad de marcha de la máquina, para poder obtener una cantidad de solución detergente constante por metro lineal de limpieza.

El nivel 4 (si habilitado) proporciona la cantidad máxima posible de solución detergente, independientemente de la velocidad de marcha de la máquina (para modificar la habilitación véase el párrafo Llave de servicio en el capítulo Mantenimiento).

El nivel 0 cierra completamente el flujo de la solución detergente.

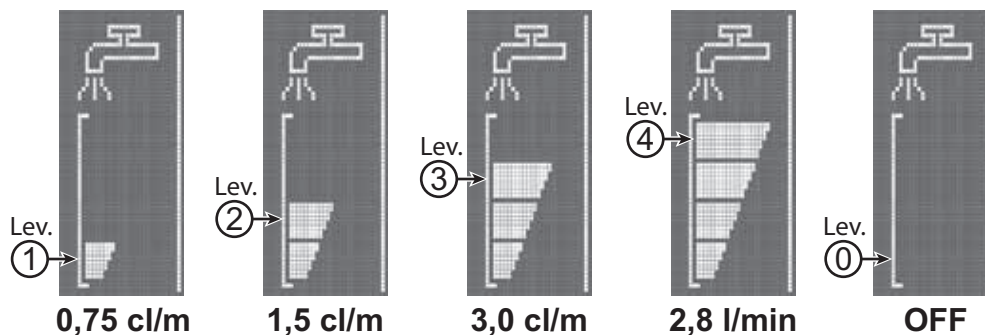


Figura 4

P100866



NOTA

Para un correcto lavado/secamiento de los suelos en los bordes de las paredes, Advance sugiere acercarse con el lado derecho de la máquina como indicado en la figura 5.

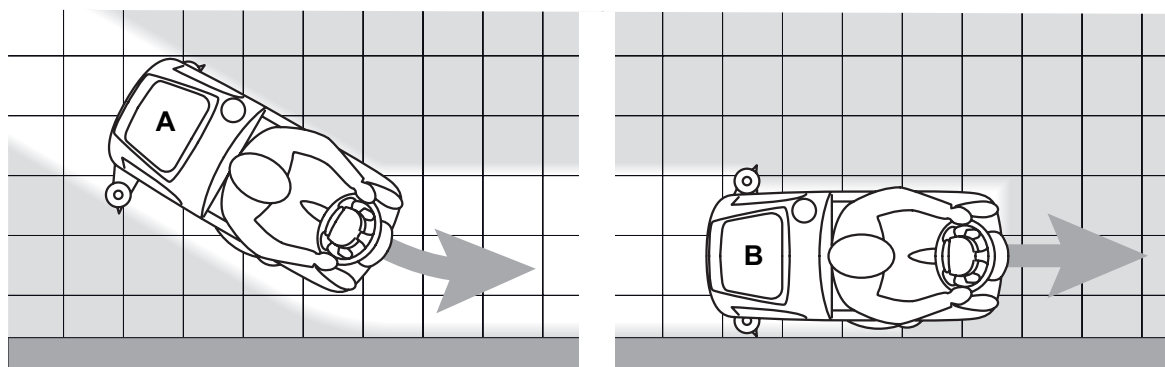


Figura 5

P100867

6. Para acabar el trabajo de lavado y secamiento, apretar el pulsador (43) y esperar el levantamiento del cabezal portacepillo (7). Después de 10 segundos se desactiva también el sistema de aspiración y se levanta la boquilla (13).

Ajuste de la concentración de detergente en el agua de lavado

(Para máquinas con sistema EcoFlex™)

El sistema para la mezcla del detergente con el agua de lavado se activa automáticamente cuando el cepillo está en función.

El porcentaje de detergente añadido al agua de lavado está configurado en el nivel 1 (Fig. 6).

Apretando el pulsador (46) es posible incrementar el porcentaje en el nivel 2 o ponerlo a cero en el nivel 0.

Los porcentajes configurados se visualizan en la pantalla multifunción (51-G).

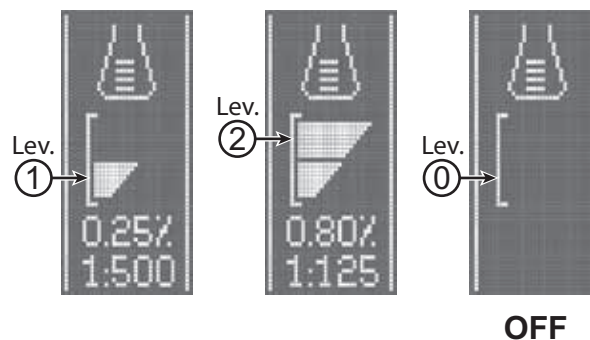


Figura 6

P100868

Sistema EcoFlex™

Activar la palanca EcoFlex™ (50) cuando se requiere provisionalmente una mayor potencia de lavado.

Con el sistema EcoFlex™ activado se obtiene un incremento de flujo de la solución detergente, la activación de la presión suplementaria del cepillo y un incremento de la concentración de detergente en la solución (nivel 2 si el nivel de configuración era 1 - nivel 1 si el nivel de configuración era 0).

Activando nuevamente la palanca EcoFlex™ (50) se vuelve a los ajustes iniciales (LED encendido).



NOTA

Si la palanca (D) no se activa por segunda vez, se vuelve a los ajustes iniciales después de 60 segundos.



NOTA

Todos los valores indicados arriba de los niveles de las funciones del flujo del detergente y de su concentración, son de configuración de fábrica.

Para modificar las configuraciones de los valores ver el párrafo Llave de servicio en el capítulo Mantenimiento.

Trabajo con la función de presión suplementaria del cepillo

En caso de suelo con suciedad muy resistente, es posible trabajar con una presión suplementar de los cepillos sobre el suelo, según el procedimiento siguiente:

1. Apretar el pulsador (43) para bajar el cabezal portacepillo como se indica en el párrafo "Puesta en marcha de la máquina".
2. Mantener apretado el pulsador (43) por más de 1 segundo. La activación de la presión suplementaria está confirmada por un



LED que cambia de verde a rojo y por un icono en la pantalla (51).

3. Para volver a un trabajo con presión normal, apretar el pulsador (43) por más de 1 segundo.
4. Para levantar el cabezal portacepillo sin volver al trabajo con presión normal, apretar y soltar de inmediato el pulsador (43).



¡ADVERTENCIA!

En caso de sobrecarga del motor del cepillo, debido a cuerpos extraños que obstaculizan su movimiento, o a suelos/cepillos demasiado agresivos, un sistema de seguridad se encarga de bloquear el motor.

Si la sobrecarga ocurre durante el trabajo con la función de presión suplementaria activada, el sistema desconecta automáticamente la función de presión suplementaria.

Si la sobrecarga persiste, el cepillo se para.

Para empezar de nuevo el trabajo tras la parada del cepillo por causa de la sobrecarga, es necesario apagar y volver a encender la máquina con el pulsador (42).

Descarga de las baterías durante el trabajo

Cuando solo se queda encendido un segmento intermitente en el símbolo de la batería (51-C) es oportuno cargar las baterías, porque la autonomía residual de la máquina es de pocos minutos (variables en función de las características de las baterías usada y del trabajo que se debe efectuar).

Cuando el símbolo de la batería (51-C) parpadea sin ningún segmento encendido la autonomía es agotada. Tras unos segundos el cepillo se para automáticamente; funciona solo el sistema de aspiración y el sistema de tracción, para poder secar eventuales partes del suelo mojado y llevar la máquina en el lugar de recarga.



¡ADVERTENCIA!

Si se insiste en usar la máquina con las baterías descargadas, las baterías se pueden dañar y su vida útil se acorta.



NOTA

Si el sistema de tracción de la máquina no se puede usar más, para desplazarla, consultar el párrafo Desplazamiento de la máquina mediante empuje/remolque.

VACIADO DE LOS DEPÓSITOS

Un sistema de cierre automático de flotador (28) bloquea el sistema de aspiración cuando el depósito del agua de recuperación (17) está lleno.

Es posible darse cuenta del bloqueo del sistema de aspiración porque el ruido del motor del sistema de aspiración aumenta y el suelo no seca.



¡ADVERTENCIA!

Si el sistema de aspiración se apaga de forma accidental (por ejemplo por la intervención prematura del flotador durante un desplazamiento imprevisto de la máquina), para reactivarlo apagarlo apretando el pulsador (44), luego abrir la tapa (18) y asegurarse de que el flotador en el interior de la rejilla (28) haya bajado; por último cerrar la tapa (18) y reactivar el sistema de aspiración pulsando el interruptor (44).

Cuando el depósito del agua de recuperación (17) está lleno, vaciarlo según el procedimiento siguiente.

Vaciado del depósito del agua de recuperación

1. Levantar el cabezal portacepillo y la boquilla apretando el pulsador (43).
2. Llevar la máquina en el área de eliminación designada.
3. Apagar la máquina con el pulsador (42) y quitar la llave operador (41).
4. Vaciar el depósito del agua de recuperación (17) mediante el tubo de descarga (26). Al final del trabajo, enjuagar el depósito con agua limpia.

Vaciado del depósito del agua de lavado

5. Llevar a cabo los pasos de 1 a 3.
6. Vaciar el depósito del agua de lavado (15) mediante el tubo de nivel (16). Al final del trabajo, enjuagar el depósito con agua limpia.

DESPUÉS DEL USO DE LA MÁQUINA

Cuando el trabajo está acabado, antes de alejarse de la máquina:

1. Quitar el cepillo, mediante el procedimiento específico.
2. Quitar la llave operador (41).
3. Vaciar los depósitos (17) y (15) como indicado en el párrafo anterior.
4. Quitar la boquilla (13) y lavarla con agua caliente. Abrir la tapa del depósito del agua de recuperación (18) y colgar la boquilla al gancho del depósito (11).
5. Efectuar las operaciones de mantenimiento necesarias después del uso de la máquina (véase el capítulo Mantenimiento).
6. Guardar la máquina en un lugar seco y limpio, con el cepillo y la boquilla levantados o desmontados.

DESPLAZAMIENTO DE LA MÁQUINA MEDIANTE EMPUJE/REMOLQUE

Cuando no es posible utilizar el sistema de tracción, (por ejemplo en caso de falta de baterías, baterías descargadas, etc.) para desplazar la máquina mediante empuje/remolque, es necesario desbloquear el freno electromagnético desplazando la palanca (4). Tras haber desplazado la máquina, llevar la palanca (4) a la posición original para reactivar el freno electromagnético.



¡ATENCIÓN!

Si tras el desplazamiento de la máquina mediante empuje/remolque, no se cambia la posición de la palanca (4), el freno electromagnético de la máquina se queda desactivado.



¡ATENCIÓN!

Non poner en marcha la máquina si la palanca (4) está en posición de freno electromagnético desbloqueado. Para mayor seguridad, se recomienda desbloquear el freno electromagnético sólo durante el tiempo necesario para desplazar la máquina manualmente.

PERIODO DE LARGA INACTIVIDAD DE LA MÁQUINA

Si se piensa que la máquina no va a ser usada durante 30 días o más, seguir las indicaciones siguientes:

1. Llevar a cabo los procedimientos indicados en el párrafo Después del uso de la máquina.
2. Para las versiones con sistema EcoFlex™, vaciar el depósito del detergente (38) y limpiar el sistema con el ciclo de expurgación (véase los procedimientos en el capítulo Mantenimiento).
3. Cerrar el grifo del agua de lavado (9-B).
4. Desconectar el conector de las baterías (6) pulsando el pulsador de emergencia (5).

MANTENIMIENTO

Un mantenimiento cuidadoso y continuo garantiza la vida útil y la seguridad de funcionamiento de la máquina. El esquema siguiente resume el mantenimiento programado. Los períodos indicados pueden variar según las condiciones de trabajos, que el encargado del mantenimiento debe establecer.



¡ATENCIÓN!

Las operaciones deben efectuarse con la máquina apagada y con las baterías desconectadas. Antes de efectuar las operaciones de mantenimiento, leer cuidadosamente todas las instrucciones del capítulo Seguridad.

Todas las operaciones de mantenimiento programado o extraordinario deben ser efectuadas por el personal calificado o por un Centro de asistencia autorizado.



¡ADVERTENCIA!



Cada vez que se visualiza el icono Service en la pantalla (51), contactar con un Centro de Asistencia autorizado Advance para el mantenimiento programado.

En este manual, después del esquema de mantenimiento programado, se describen sólo los procedimientos de mantenimiento más sencillos y frecuentes.

Para las operaciones de mantenimiento no indicadas en el esquema de mantenimiento programado y las operaciones de mantenimiento extraordinario, véase el Manual de asistencia disponible en los Centros de asistencia.

ESQUEMA DE MANTENIMIENTO PROGRAMADO

Operación	Diaria, después del uso de la máquina	Semanaria	Semestral	Anual
Carga de las baterías				
Limpieza de la boquilla				
Limpieza del cepillo/filtro				
Limpieza de los depósitos, del filtro del depósito del agua de recuperación y control de la guarnición de la tapa				
Limpieza y expurgación del sistema EcoFlex™				
Control de los cauchos de la boquilla				
Limpieza del filtro del agua de lavado				
Control del nivel del líquido de las baterías (WET)				
Sustitución de los cauchos de la boquilla				
Control del freno electromagnético			(1)	
Control o sustitución de las escobillas de carbón del motor del cepillo/portafiltro				(1)
Control o sustitución de las escobillas de carbón del motor del sistema de tracción				(1)

(1) Mantenimiento de competencia de un Centro de asistencia autorizado Advance.

CARGA DE LAS BATERÍAS



NOTA

Cargar las baterías cuando en el símbolo de la batería (51-C) se queda encendido solo un segmento intermitente, o cada vez que se acaba un trabajo.

Si se mantienen las baterías cargadas, su durabilidad aumenta.



¡ADVERTENCIA!

No dejar las baterías descargadas durante mucho tiempo, porque su durabilidad podría reducirse. Controlar la carga de las baterías por lo menos una vez por semana.



¡ATENCIÓN!

Si se usan baterías de plomo (WET), cargando las baterías se produce gas hidrógeno muy explosivo. Cargar las baterías sólo en áreas bien ventiladas y lejos de llamas libres.

No fumar cuando se cargan las baterías.

Dejar levantado el depósito del agua de recuperación mientras que se cargan las baterías.



¡ATENCIÓN!

Durante la carga de las baterías de plomo (WET) tener mucho cuidado que el líquido de las baterías no sobresalga. Este líquido es corrosivo. En caso de contacto con la piel o los ojos lavar a conciencia con agua y consultar un médico.

1. Llevar la máquina en el área designada para la carga de las baterías.
2. Asegurarse que la máquina esté apagada con la llave operador (41) sacada.
3. Levantar la tapa (29) y controlar que el depósito del agua de recuperación (17) esté vacío, si no vaciarlo mediante el tubo de descarga (26).
4. Cerrar la tapa (18).
5. Empuñar la manilla (35) y levantar el conjunto depósito del agua de recuperación (17) con cuidado.
6. (Sólo para baterías WET) controlar el nivel de electrolito de las baterías. Si necesario, desenroscar los tapones y rellenar. Luego, cerrar los tapones y limpiar la superficie superior de las baterías.
7. Conectar el enchufe del cable del cargador de baterías (21) a la red eléctrica [la tensión y la frecuencia de la red deben ser compatibles con los valores del cargador de baterías indicados en la placa del número de serie de la máquina].



NOTA

Cuando el cargador de baterías está conectado a la red eléctrica, todas las funciones de la máquina se paran automáticamente.

Cuando parpadea el primero o el segundo de los segmentos (desde izquierda) (51-M) en el símbolo de la batería, indica que el cargador de batería está cargando las baterías.

Cuando parpadea el tercer segmento (desde izquierda) en el símbolo de la batería (51-M), indica que el cargador de batería está completando la carga de las baterías.

8. Cuando todos los segmentos en el símbolo de la batería (51-M) están encendidos con luz fija, el ciclo de carga de las baterías se ha acabado.
9. Desconectar el enchufe del cable del cargador de baterías (21) de la red eléctrica e introducirlo en su alojamiento (20).
10. Soltar la barra de soporte (36), luego empuñar la manilla (35) y levantar el conjunto depósito del agua de recuperación (17) con cuidado.
11. La máquina está lista para el uso.



NOTA

Para informaciones suplementarias sobre el funcionamiento del cargador de baterías (22) véase el manual relacionado.

LLAVE DE SERVICIO (amarilla)

Con la llave de servicio (amarilla) es posible controlar informaciones adicionales acerca de algunos parámetros de funcionamiento de la máquina y modificar algunas configuraciones para adaptarlas a las necesidades específicas.

Pantalla principal (E, Fig. 7)

1. Introducir la llave de servicio (amarilla) en lugar de la llave operador (gris) para acceder a la pantalla principal en la pantalla multifunción (51).
2. Apretar el pulsador (A) para proceder a la modificación de las configuraciones de la máquina (véase el párrafo Pantalla configuración de la máquina).
3. Apretar el pulsador (B) para controlar posibles alarmas memorizadas por la máquina (véase el párrafo Pantalla memorias alarmas).
4. Apretar el pulsador (C) para controlar las horas de trabajo de la máquina (véase el párrafo Pantalla contador de horas).
5. Apretar el pulsador (D) para salir de la modalidad servicio y volver a la modalidad operador.

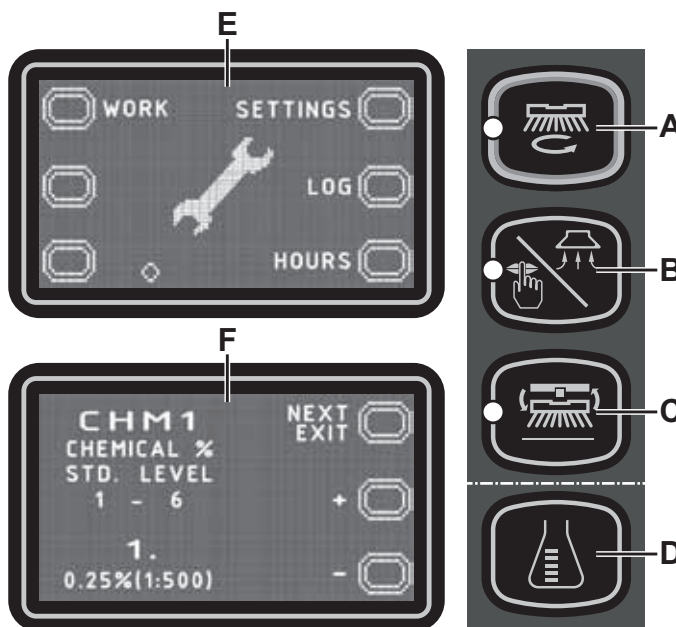


Figura 7

Pantalla configuración de la máquina (F, Fig. 7)

Mediante esta funcionalidad es posible personalizar el valor de los parámetros descritos en la siguiente tabla parámetros modificables.

1. Para aumentar el valor del parámetro corriente apretar el pulsador (B).
Para reducir el valor del parámetro corriente apretar el pulsador (C).
2. Para pasar el parámetro siguiente apretar el pulsador (A).
3. Para volver a la pantalla principal, apretar el pulsador (A) por más de 1 segundo.

P100869

TABLA PARÁMETROS MODIFICABLES		Valores		
Cod.	Descripción	Mínimo	Configuración de fábrica	Máximo
CHM1	Porcentaje concentración detergente nivel 1	0,25 % (1:500)	0,25 % (1:500)	3 % (1:33)
CHM2	Porcentaje concentración detergente nivel 2	0,25 % (1:500)	0,80 % (1:125)	3 % (1:33)
P1/P3	Caudal flujo solución nivel 1 en relación con el nivel 3 (caudal en función de la velocidad)	0 %	25 %	100 %
P2/P3	Caudal flujo solución nivel 2 en relación con el nivel 3 (caudal en función de la velocidad)	0 %	50 %	100 %
P3	Caudal flujo solución nivel 3 (caudal en función de la velocidad)	1,0 cl/m	3,0 cl/m	5,0 cl/m
P4	Habilitación nivel 4 (2,8 L/min. independientemente de la velocidad)	OFF	OFF	ON
SPT	Temporizador función EcoFlex™	0 (deshabilitado)	60 seg.	300 seg.
XPRES	Habilitación presión suplementar cabezal	OFF	ON	ON
FVMAX	Máxima velocidad marcha adelante	10 %	100 %	100 %
RVMAX	Máxima velocidad marcha atrás	10 %	40 %	50 %
WSMIN	Velocidad de trabajo mínima	10 %	25 %	100 %
WSMAX	Velocidad de trabajo máxima	10 %	100 %	100 %
BRK	Retraso inserción electrofreno	0 seg.	3 seg.	5 seg.
BAT (**)	Tipología baterías instaladas (ver tabla)	0	1	5
TOFF	Tiempo apagado automático	0 (deshabilitado)	300 seg.	600 seg.
BRGH	Contraste pantalla	5	20	50
VRID	Configuración modalidad silenciosa	1	1	5
RPM (*)	Límite activación giros reducidos cepillo	5	9	20
RESET	Restablecimiento de todos los parámetros a los valores de configuración de fábrica	OFF	OFF	ON

(*) Aumentar el valor de este parámetro para reducir los giros del motor del cepillo en un rango más amplio de aplicaciones y viceversa.

(**) Como se indica en el capítulo Uso según la tipología de las baterías que se quiera instalar, configurar la máquina y el cargador de baterías incorporado modificando el parámetro BAT como se indica en la tabla:

Tipología baterías instaladas		Valor
WET	Baterías con ácido líquido	0
GEL / AGM	Baterías GEL o AGM genéricas	1
GEL EXIDE	Baterías de GEL o marca EXIDE®/SONNENSHINE	2
GEL OPTIMA	Baterías de GEL o marca OPTIMA™	3
GEL DISCOVER	Baterías de GEL o marca DISCOVER®	4
GEL FULLRIVER	Baterías de GEL o marca FULLRIVER®	5

Pantalla memoria alarmas (G, Fig. 8)

Mediante esta función es posible averiguar posibles alarmas memorizadas por la máquina.

Utilizar esta función solo con el soporte del Centro de Asistencia Advance para resolver posibles problemas de funcionamiento.

Para volver a la pantalla principal (E, Fig. 7) apretar el repetidamente el pulsador (A).

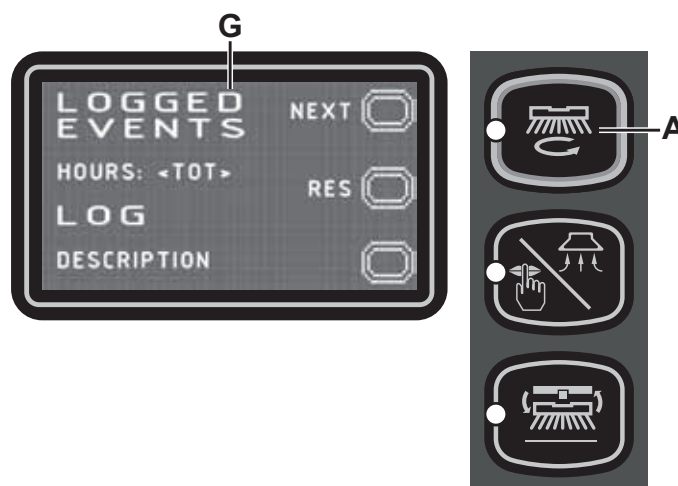


Figura 8

P100870

Pantalla contador de horas (H, Fig. 9)

Mediante esta función es posible controlar las horas de trabajo acumuladas para cada subsistema de la máquina:

- Contador de horas TOTAL (tiempo de encendido de la máquina)
- Contador de horas TRACCIÓN (tiempo de uso del sistema de tracción)
- Contador de horas CEPILLO (tiempo de uso del sistema de rotación del cepillo)
- Contador de horas ASPIRADOR (tiempo de uso del sistema de aspiración)

Para volver a la pantalla principal (E, Fig. 7) apretar el pulsador (A).

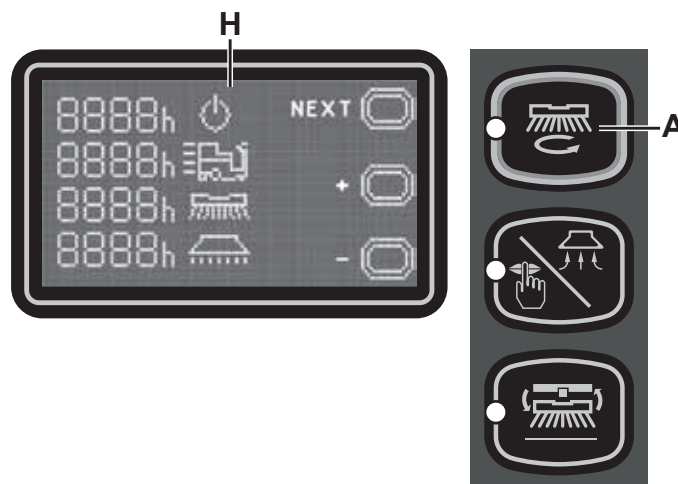


Figura 9

P100871

LIMPIEZA DE LA BOQUILLA



NOTA

Para un buen secamiento, la boquilla debe estar limpia y con los cauchos en buenas condiciones.



¡ADVERTENCIA!

Durante estas operaciones se aconseja usar guantes de trabajo, porque residuos cortantes podrían estar en la boquilla.

1. Llevar la máquina sobre un suelo llano.
2. Asegurarse que la máquina esté apagada con la llave operador (41) sacada.
3. Aflojar las empuñaduras (32) y quitar la boquilla (13).
4. Lavar y limpiar la boquilla. Limpiar especialmente los huecos (A, Fig. 10) y el orificio (B). Controlar que los cauchos delantero (C) y trasero (D) estén en buenas condiciones, que no estén cortados o desgarrados, de lo contrario, sustituirlos mediante el procedimiento indicado en el párrafo siguiente.
5. Montar la boquilla en orden contrario al desmontaje.

CONTROL Y SUSTITUCIÓN DE LOS CAUCHOS DE LA BOQUILLA

1. Limpiar la boquilla como indicado en el párrafo anterior.
2. Controlar que los cauchos delantero (C, Fig. 10) y trasero (D) estén en buenas condiciones, que no estén cortados o desgarrados, de lo contrario, sustituirlos mediante el procedimiento siguiente. Controlar también que la esquina delantera (E) del caucho posterior no esté desgastado; de lo contrario volcar el caucho mismo, llevando en su posición uno de las otras tres esquinas todavía enteros. Si todos los bordes están desgastados, sustituir el caucho, mediante el procedimiento siguiente:
 - Utilizando el trinquete (F), desvincular y quitar la bisagra elástica (G) de los retenes (H), luego sustituir/volcar el caucho posterior (D).
 - Montar el caucho en orden contrario al desmontaje.
 - Desenroscar las empuñaduras (I) y quitar la bisagra (L), luego sustituir/volcar el caucho delantero (C).
 - Montar el caucho en orden contrario al desmontaje.
3. Montar la boquilla (13) y apretar las empuñaduras (32).
4. Bajar la boquilla en el suelo para controlar la altura de los cauchos, actuando mediante el procedimiento siguiente:
 - Controlar que el borde (K) del caucho anterior (C) y el borde (L) del caucho posterior (D) se apoyen como indicado en la figura.
 - Para la regulación utilizar la perilla (33).

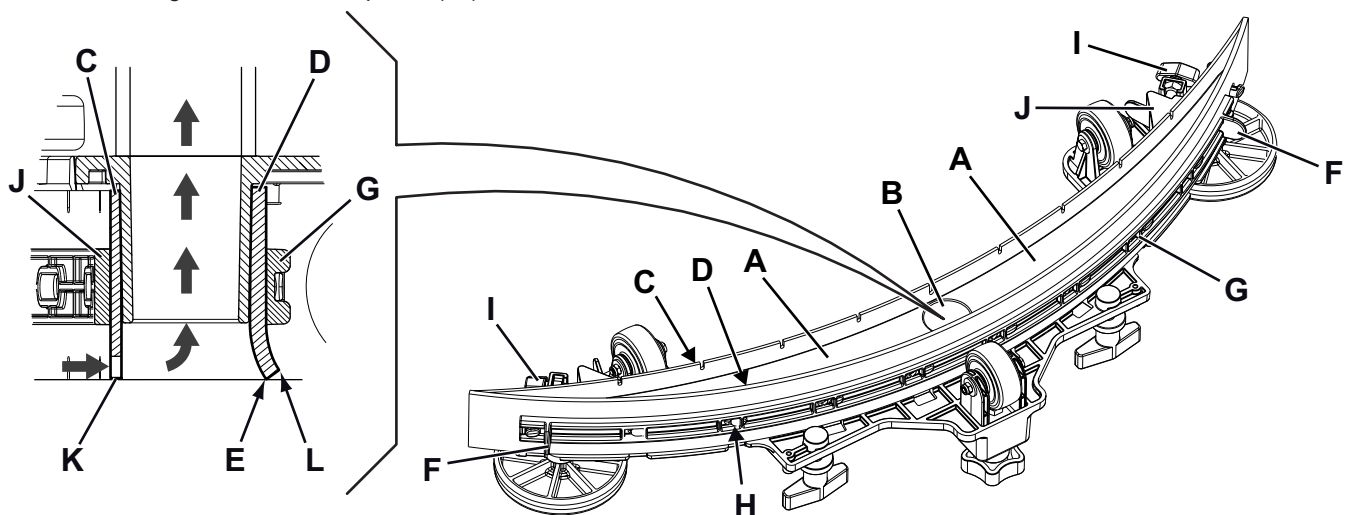


Figura 10

P100872

LIMPIEZA DEL CEPILLO



¡ADVERTENCIA!

Durante estas operaciones se aconseja utilizar guantes de trabajo, porque residuos cortantes podrían estar en el cepillo.

1. Quitar el cepillo de la máquina como indicado en el capítulo Uso.
2. Limpiar y lavar el cepillo con agua y detergente.
3. Controlar que las cerdas no estén dañadas o excesivamente desgastadas; de lo contrario, sustituirlas.

LIMPIEZA DEL DEPÓSITO DEL AGUA DE RECUPERACIÓN

1. Llevar la máquina en el área de eliminación designada.
2. Asegurarse que la máquina esté apagada con la llave operador (41) sacada.
3. Levantar la tapa (18).
4. Limpiar y lavar con agua limpia el interior del depósito (17) y de la tapa.
5. Descargar el agua del depósito mediante el tubo (26).
6. Limpiar la rejilla de aspiración (28), desenganchar los retenes (A, Fig. 11), abrir la rejilla (B) y quitar el flotador (C), luego limpiar con cuidado y volver a instalar.
7. Desmontar la cubeta para la recogida de los residuos (D) abrir la tapa y limpiar cuidadosamente y volverla a instalar en el tubo de aspiración.
8. Controlar la integridad de la guarnición (E) de la tapa del depósito.



NOTA

La guarnición (E) permite la formación de vacío en el depósito, necesario para la aspiración del agua de recuperación.

Si necesario, sustituir la guarnición (E), quitándola de su alojamiento (F). Cuando se instala la nueva guarnición, posicionar la unión (G) en el área inferior indicada en la figura.

9. Controlar que toda la superficie perimetral (H) de apoyo de la guarnición (E) no esté dañada, sea limpia y adecuada para la estanqueidad de la guarnición misma.
10. Cerrar la tapa (18).

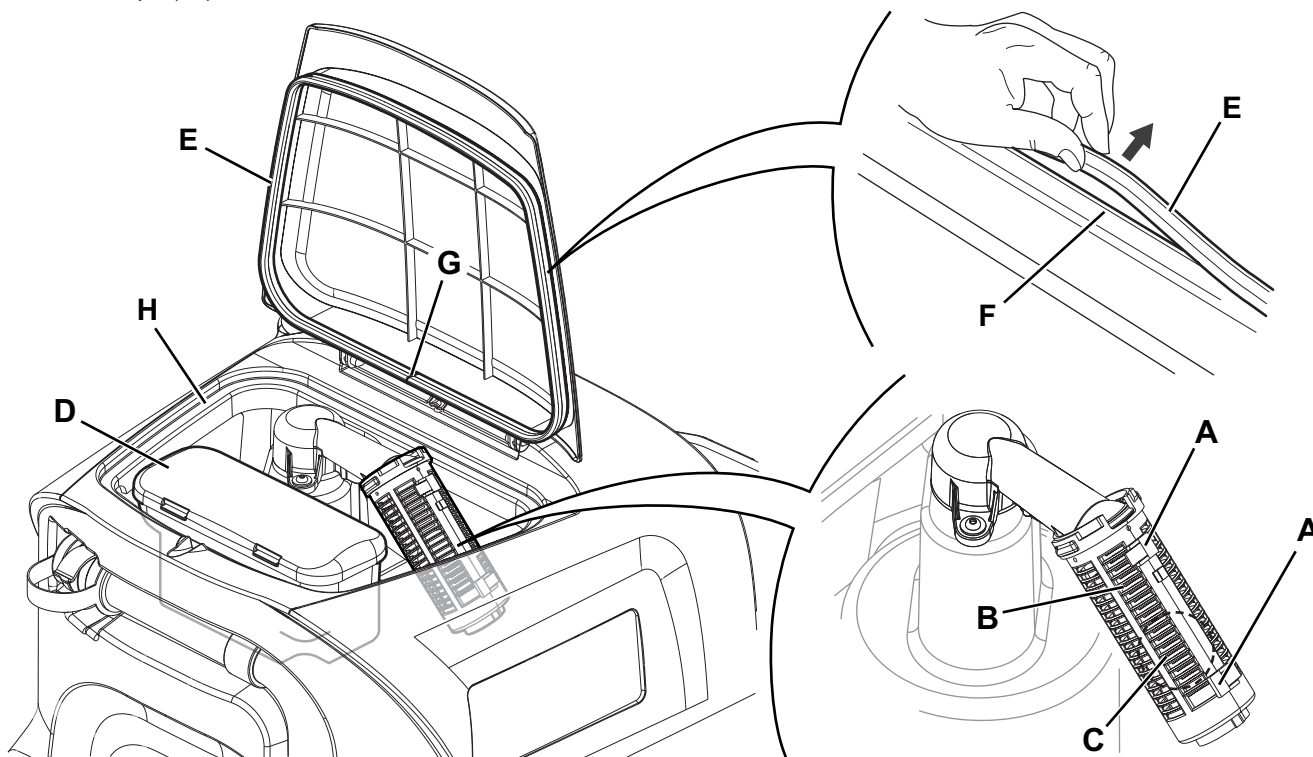


Figura 11

P100873

LIMPIEZA DEL FILTRO DEL AGUA DE LAVADO

1. Llevar la máquina sobre un suelo llano.
2. Asegurarse que la máquina esté apagada con la llave operador (41) sacada.
3. Cerrar el grifo del agua de lavado (9). El grifo está cerrado cuando está en la posición (9-B) y está abierto cuando está en la posición (9-A).
4. Quitar la tapa transparente (A, Fig. 12), recuperar la guarnición (B), luego quitar la rejilla filtrante (C). Lavarlos y enjuagarlos con agua, luego volverlos a montar con cuidado en el soporte del filtro (D).
5. Abrir el grifo (9-A).

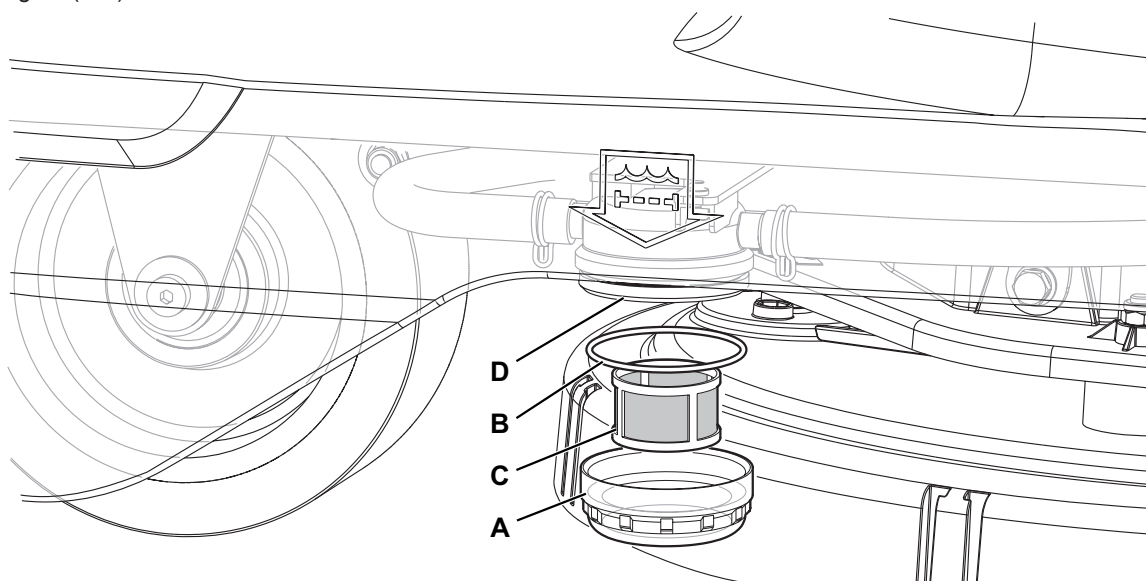


Figura 12

P100874

LIMPIEZA DEL DEPÓSITO DEL DETERGENTE

(Para máquinas con sistema EcoFlex™)

Limpiar el depósito del detergente (38) efectuando el procedimiento siguiente.

1. Llevar la máquina en el área de eliminación designada.
2. Asegurarse que la máquina esté apagada con la llave operador (41) sacada.
3. Levantar la tapa (29) y controlar que el depósito del agua de recuperación (17) esté vacío, si no vaciarlo mediante el tubo de descarga (26).
4. Cerrar la tapa (18).
5. Empuñar la manilla (35) y levantar el conjunto depósito del agua de recuperación (17) con cuidado.
6. Desenroscar la tapa (A, Fig. 13) del depósito del detergente (B).
7. Quitar el depósito.
8. Volver a enjuagar el depósito con agua limpia en la zona de eliminación.
9. Volver a colocar el depósito del detergente (B) en su alojamiento como indicado en la figura y volver a montar el tapón (A).
10. Después del vaciado del depósito del detergente puede ser necesario expurgar el sistema EcoFlex™ (véase el procedimiento en el párrafo siguiente).

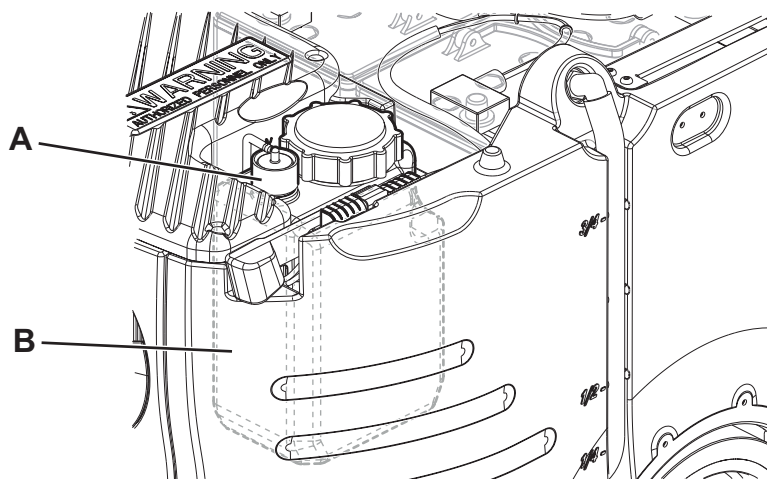


Figura 13

P100875

PURGA SISTEMA ECOFLEX™

(Para máquinas con sistema EcoFlex™)

Limpiar el depósito del detergente como indicado en el párrafo anterior.

Para quitar los residuos de detergente en las tuberías y en la bomba del detergente, efectuar el procedimiento siguiente.

1. Introducir la llave operador (41) en su alojamiento del panel de control (3) para encender la máquina, o, si la llave ya se encuentra en su alojamiento, apretando el pulsador (42).
2. Apretar el pulsador (43). Controlar que en pantalla el indicador de cantidad del detergente (50-G) tenga encendido por los menos un segmento.
3. Apretar contemporáneamente los pulsadores (46) y (47), hasta que no aparece en pantalla (50-N) (después de unos 5 segundos).
4. Soltar los pulsadores (46) y (47) y esperar que en pantalla acabe la cuenta atrás y que el sistema de aspiración empiece a funcionar.
5. Aspirar los residuos de detergente que han quedado en el suelo.
6. Sacar la llave operador (41).
7. Levantar el conjunto depósito del agua de recuperación (17), luego controlar que el tubo del depósito del detergente (38) esté vacío, de lo contrario repetir los pasos de 3 a 7.



NOTA

El ciclo de expurgación dura unos 30 segundos, después de que se activa automáticamente la función de aspiración que permite eliminar los residuos de detergente.

La expurgación se puede efectuar aun si el depósito del detergente (38) está lleno de agua. De esta forma, el lavado del sistema sería total.

Es necesario efectuar esta expurgación cuando el sistema EcoFlex™ está muy sucio/incrustado después de inactividad/falta de limpieza de la máquina durante largos períodos.

También se puede efectuar la expurgación para acelerar el llenado del tubo de aspiración del detergente cuando el depósito (38) está lleno y el sistema está todavía vacío.

La expurgación, si necesaria, puede efectuarse varias veces consecutivamente.

CONTROL/SUSTITUCIÓN DE LOS FUSIBLES



NOTA

Todos los circuitos eléctricos de la máquina están protegidos por dispositivos electrónicos de auto-reactivación. Los fusibles de seguridad se activan sólo en caso de avería grave.

Por lo tanto se recomienda que la sustitución de los fusibles sea efectuada sólo por el personal cualificado.

Consultar el Manual de asistencia disponible en los revendedores Advance.

FUNCIONES DE SEGURIDAD

La máquina está equipada de las siguientes funciones de seguridad.

PULSADOR DE EMERGENCIA

El pulsador de emergencia (5) se encuentra en una posición fácilmente accesible por el operador. Pulsarlo en caso de necesidad inmediata para parar la máquina y todas sus funciones.

Para reactivar las funciones de la máquina levantar el conjunto depósito del agua de recuperación (17) y reconectar el conector de las baterías (6).

SISTEMA DE SEGURIDAD ANTIDERRAPE

Disminuye, si necesario, la velocidad durante los virajes y en caso de inclinación lateral de la máquina para evitar derrape imprevisto y aumentar la estabilidad de la máquina en cada condición. La activación del sistema se muestra mediante el icono (51-J) en la pantalla.

MICROINTERRUPTOR DEL ASIENTO DE CONDUCCIÓN

Se encuentra al interior del asiento de conducción (12) y no permite el funcionamiento del sistema de tracción de la máquina cuando el operador no está sentado en el asiento de conducción.

FRENO ELECTROMAGNÉTICO

Está integrado en las ruedas traseras de tracción (24) y mantiene la máquina frenada cuando está apagada o parada.

BÚSQUEDA AVERÍAS

AVERÍA	PROBABLE CAUSA	SOLUCIÓN
Los motores no funcionan, no se enciende ni la pantalla (51) ni los LEDs de los pulsadores.	El conector de la batería está desconectado.	Conectar.
	Baterías completamente descargadas.	Cargar las baterías.
La máquina no se mueve y la pantalla (51) muestra el mensaje de alarma: AVISO DE ALARMA T3	Encendido de la máquina con pedal presionado.	Soltar el pedal de marcha. Si el problema sigue existiendo, contactar con un Centro de asistencia autorizado.
Cuando se pone en marcha la máquina, el LED del pulsador (43) parpadea y el cepillo no funciona.	Apagado de la máquina sin haber levantado previamente el cabezal portacepillo.	Esperar que el cabezal esté levantado antes de activar de nuevo el cepillo apretando el pulsador.
El cepillo no funciona, el contorno del símbolo batería (51-C) parpadea y en la pantalla se visualiza el mensaje de alarma: AVISO DE ALARMA G4	Baterías descargadas.	Cargar las baterías. Si el problema persiste, sustituir las baterías.
Durante el trabajo aparece el mensaje de alarma: AVISO DE ALARMA F2	Sobrecarga del motor del cepillo.	Usar un cepillo menos duro o de tipo diferente o no trabajar con la presión suplementaria activada.
	Cuerpos extraños (hilos enrollados, etc.) que puedan frenar la rotación del cepillo.	Limpiar los cubos de los cepillos.
La pantalla (51) muestra el mensaje de alarma: AVISO DE ALARMA T2	Sobrecarga motor de tracción.	Apagar y volver a encender la máquina. Evitar el uso de la máquina en inclinaciones superiores a la indicada, y de superar obstáculos demasiado altos.
Durante la carga de las baterías con cargador de baterías integrado, en pantalla (51) se visualiza el mensaje de alarma: AVISO DE ALARMA C4 o C5	Cargador de batería no puede cargar correctamente las baterías en los tiempos máximos previstos.	Efectuar nuevamente el ciclo de carga de las baterías. Si el problema persiste, sustituir las baterías.
La pantalla (51) muestra el mensaje de alarma: AVISO DE ALARMA XX Donde "XX" se sustituye por un código diferente de los antecedentes.	Condición de alarma del sistema electrónico de control de la máquina.	Apagar y volver a encender la máquina. Si el problema sigue existiendo, contactar con un Centro de asistencia autorizado.
La aspiración de agua sucia es insuficiente.	El depósito del agua de recuperación está lleno.	Vaciar el depósito.
	Rejilla de aspiración obstruida o flotador en cierre.	Limpiar la rejilla de aspiración.
	Contenedor con rejilla de recogida de residuos obstruido.	Limpiar.
	Tubo desconectado de la boquilla.	Conectarlo.
	Boquilla sucia o cauchos de la boquilla desgastados o dañados.	Limpiar la boquilla o volcar/sustituir los cauchos.
	La tapa del depósito no está cerrada correctamente, o la guarnición está desgastada.	Cerrar correctamente la tapa o limpiar/sustituir la guarnición.
El flujo de la solución detergente al cepillo es insuficiente.	El depósito del agua de lavado está vacío.	Llenarlo.
	El filtro del agua de lavado está sucio.	Limpiar el filtro.
	El depósito del sistema EcoFlex™ está sucio/incrustado.	Limpiar mediante ciclo de purga.
La boquilla causa estriados en el suelo.	Residuos bajo de los cauchos de la boquilla.	Quitar los residuos.
	Cauchos de la boquilla desgastados, astillados o desgarrados.	Volcar o sustituir los cauchos.
	Boquilla no fue equilibrada mediante la empuñadura.	Ajustar la boquilla.



NOTA

La máquina no puede funcionar sin el cargador de baterías.

Si el cargador de baterías está averiado, acudir a un Centro de asistencia autorizado.

Para explicaciones o informaciones, contactar con los Centros de asistencia Advance.

ELIMINACIÓN

Eliminar la máquina en un demoledor calificado.

Antes de eliminar la máquina es necesario quitar y separar los siguientes materiales y eliminarlos según las actuales normas de higiene ambiental:

- Baterías
- Cepillos
- Tubos y componentes de plástico
- Componentes eléctricos y electrónicos (*)

(*) En particular, para la eliminación de componentes eléctricos y electrónicos, contactar con Advance.

Composición de material de la máquina y reciclabilidad

Tipo	% reciclable	% de peso de la SC2000
Aluminio	100 %	3 %
Motores eléctricos - misc.	29 %	32 %
Materiales ferrosos	100 %	23 %
Cableados	80 %	7 %
Líquidos	100 %	0 %
Plástico - no reciclable	0 %	3 %
Plástico - reciclable	100 %	3 %
Polietileno	92 %	26 %
Caucho	20 %	2 %



14600 21st Avenue North
Plymouth, MN 55447-3408
www.advance-us.com
Phone: 800-989-2235
Fax: 800-989-6566
©2015 Nilfisk-Advance, Inc.