

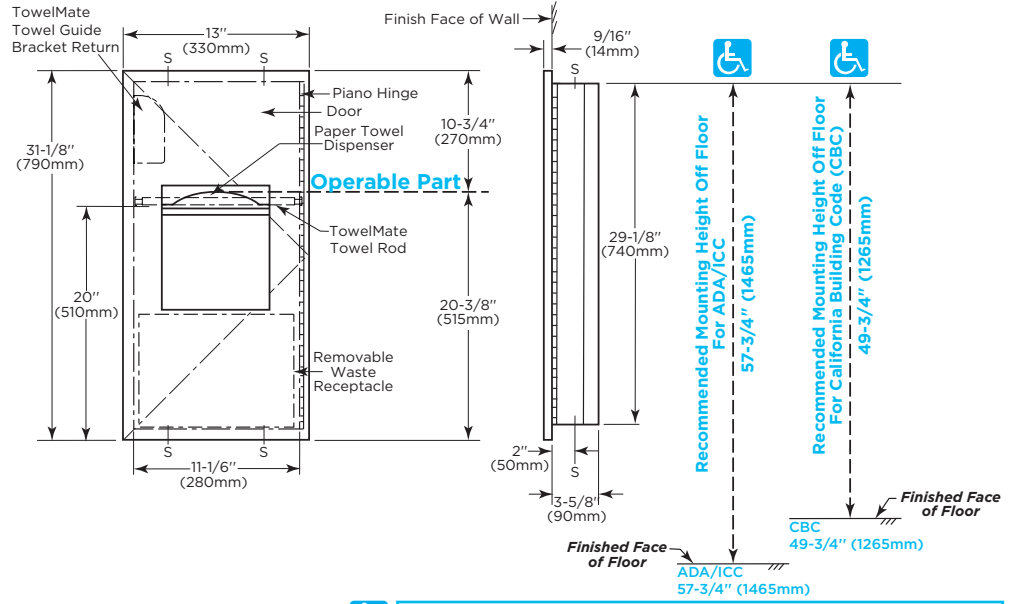


# TrimLineSeries™ RECESSED PAPER TOWEL DISPENSER AND WASTE RECEPACLE

# B-36903

**Specify Finish Required**

- Stainless Steel, Satin Finish
- Matte Black Finish, please use model no. B-36903.MBLK



**Rough Wall Opening**  
 11-1/2" (290mm) wide  
 29-1/2" (750mm) high  
 3-3/4" (95mm) minimum recessed depth

**ADA/CBC Installation Guidance**

*\*Operable Part:* Top of paper towel dispenser opening.

**Maximum mounting height of Operable Part:**  
 ADA/ICC: 48" above finished floor (AFF)  
 CBC: 40" above finished floor (AFF)

*\*For more information regarding operable parts, please refer to Bobrick Planning Guide for Accessible Restrooms, page 9.*

**MATERIALS:**

- Cabinet** — 18-8, Type-304, heavy-gauge stainless steel. All-welded construction.
- Door** — 18-8, Type-304, 18-gauge (1.2mm) stainless steel. 9/16" (14mm) 90° return edges for maximum rigidity. Secured to cabinet with a concealed, full-length stainless steel piano-hinge. Equipped with a stainless steel cable door-swing limiter and friction catch.
- Paper Towel Dispenser** — 18-8, Type-304, 22-gauge (0.8mm) stainless steel. Capacity: 300 C-fold or 400 multifold paper towels. Unit equipped with TowelMate consisting of a 90° return towel guide angle inside cabinet to prevent paper towels from falling forward out when door is opened for servicing.
- TowelMate® Towel Rod Assembly** — Consisting of a round Nylon Rod and (2) stainless steel Rod Screws for attachment, is field replaceable. Stainless steel Stop Screws (2) lock TowelMate Rod assembly in place. To retrofit TowelMate into existing installed units manufactured prior to Feb. 2021, order TowelMate Accessory Bobrick Model No. 369-130.
- Waste Container** — Removable, leakproof, rigid molded plastic. Capacity: 1.6-gal. (6.1-L).

**OPERATION:**

Paper towel dispenser accommodates C-fold and multifold paper towels without adjustment or use of adapters. Waste receptacle is serviced by opening door and removing waste container. Door conceals flange from view. Cable door-swing limiter prevents damage to washroom accessories and walls.

**INSTALLATION:**

Provide framed rough wall opening 11-1/2" wide x 29-1/2" high (290 x 750mm). Minimum recessed depth required from finish face of wall is 3-3/4" (95mm). Allow clearance for construction features that may protrude into rough wall opening from opposite wall. Coordinate with mechanical engineer to avoid pipes, vents, and conduits. If unit projects above top of wainscot, provide aluminum channel or other filler to eliminate gap between flange and finish face of wall. Mount cabinet with shims between framing and cabinet at all points indicated by an S, then secure unit with #8 x 1-1/4" sheet-metal screws (not furnished).

**SPECIFICATION:**

Recessed paper towel dispenser and waste receptacle shall be Type-304 stainless steel with all-welded construction. Exposed surfaces shall have satin finish or matte black, as specified. Unit equipped with TowelMate consisting of a 90° return towel guide angle inside cabinet to prevent paper towels from falling forward out when door is opened and a Nylon Rod across the center of the towel tray to dispense paper towels one at a time. Door shall be 18 gauge (1.2mm); have 9/16" (14mm) 90° return edges; be secured to cabinet with a concealed, full-length stainless steel piano-hinge; and equipped with a stainless steel cable door-swing limiter and friction catch. Door conceals flange from view. Paper towel dispenser shall be capable of dispensing 300 C-fold or 400 multifold paper towels without adjustment or use of adapters. Waste receptacle shall be furnished with a removable, leakproof, rigid molded plastic waste-container with a capacity of 1.6-gal. (6.1-L).

**Recessed Paper Towel Dispenser And Waste Receptacle shall be Model B-36903 of Bobrick Washroom Equipment, Inc., Clifton Park, New York; Jackson, Tennessee; Los Angeles, California; Bobrick Washroom Equipment Company, Scarborough, Ontario; Bobrick Washroom Equipment Pty. Ltd., Australia; and Bobrick Washroom Equipment Limited, United Kingdom.**