

SW900

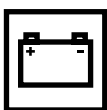
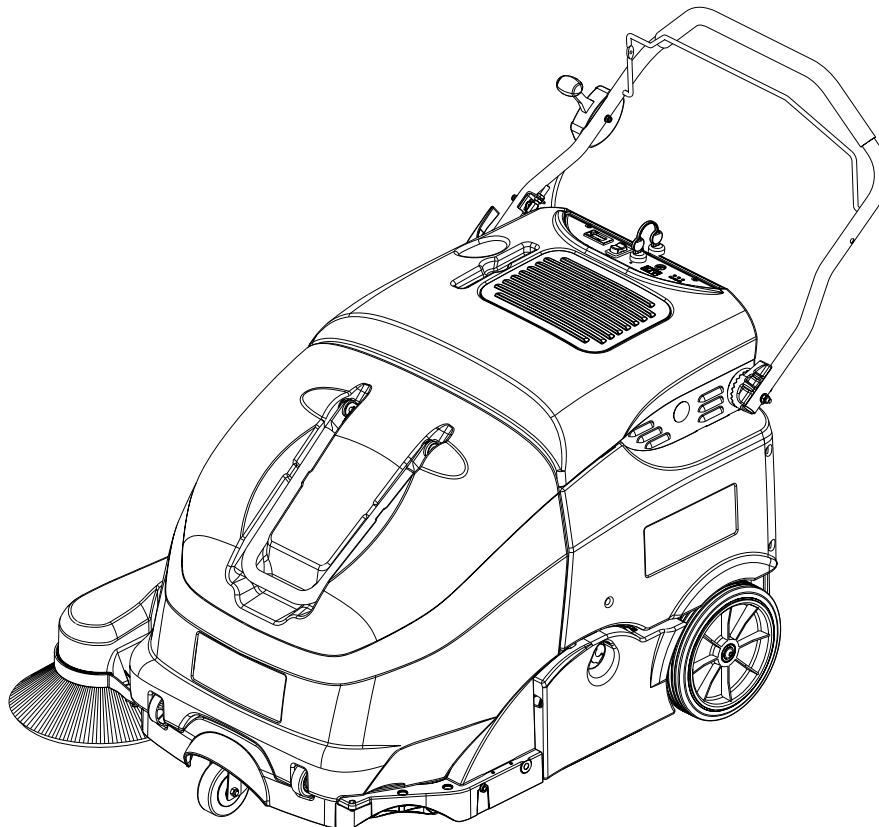
Instructions for use

Instructions d'utilisation
Instrucciones de uso
Instruções de uso

08/2013 Revised 01/2018
(C)
FORM NO. 1465374000



English
Français
Español
Português



Model No.:
9084112010

TABLE OF CONTENTS

INTRODUCTION	2
MANUAL PURPOSE AND CONTENTS	2
TARGET	2
HOW TO KEEP THIS MANUAL	2
IDENTIFICATION DATA	2
OTHER REFERENCE MANUALS	2
SPARE PARTS AND MAINTENANCE	2
CHANGES AND IMPROVEMENTS	2
OPERATION CAPABILITIES	3
CONVENTIONS	3
UNPACKING/DELIVERY	3
SAFETY	3
VISIBLE SYMBOLS ON THE MACHINE	3
SYMBOLS THAT APPEAR ON THIS MANUAL	4
GENERAL INSTRUCTIONS	4
MACHINE DESCRIPTION	6
MACHINE STRUCTURE	6
ACCESSORIES/OPTIONS	8
TECHNICAL DATA	8
WIRING DIAGRAM	9
USE	10
BATTERY CHECK/SETTING ON A NEW MACHINE	11
BEFORE MACHINE START-UP	12
STARTING AND STOPPING THE MACHINE	12
MACHINE OPERATION	12
HOPPER DUMPING	13
AFTER USING THE MACHINE	13
PUSHING THE MACHINE	13
MACHINE LONG INACTIVITY	13
MAINTENANCE	13
SCHEDULED MAINTENANCE TABLE	14
BATTERY CHARGER CABLE CHECK	14
BATTERY CHARGING	14
MAIN BROOM HEIGHT CHECK AND ADJUSTMENT	15
MAIN BROOM REPLACEMENT	16
SIDE BROOM HEIGHT CHECK AND ADJUSTMENT	17
SIDE BROOM DISASSEMBLY/ASSEMBLY	17
SKIRT CHECK AND ADJUSTMENT	18
DUST FILTER CLEANING AND INTEGRITY CHECK	19
HOPPER POSITION MICROSWITCH OPERATION CHECK	20
FUZE CHECK/REPLACEMENT/RESET	20
BATTERY ELECTROLYTE LEVEL CHECK (FOR WET BATTERIES ONLY)	20
TROUBLESHOOTING	21
SCRAPPING	22

INTRODUCTION



NOTE

The numbers in brackets refer to the components shown in Machine Description chapter.

MANUAL PURPOSE AND CONTENTS

The purpose of this Manual is to provide the operator with all necessary information to use the machine properly, in a safe and autonomous way. It contains information about technical data, safety, operation, storage, maintenance, spare parts and disposal. Before performing any procedure on the machine, the operators and qualified technicians must read this Manual carefully. Contact Advance in case of doubts regarding the interpretation of the instructions and for any further information.

TARGET

This Manual is intended for operators and technicians qualified to perform the machine maintenance.

The operators must not perform procedures reserved for qualified technicians. Advance will not be responsible for damages coming from failure to follow these instructions.

HOW TO KEEP THIS MANUAL

The Instructions for Use Manual must be kept near the machine, inside an adequate case, away from liquids and other substances that can cause damage to it.

IDENTIFICATION DATA

The machine serial number and model name are marked on the plate (47).

Product code and year of production are marked on the same plate.

This information is useful when requiring machine spare parts. Use the following table to write down the machine identification data.

MACHINE model
PRODUCT code
MACHINE serial number

OTHER REFERENCE MANUALS

- Electronic Battery Charger Manual (to be considered as integral part of this Manual)
- Spare Parts List (supplied with the machine)

Moreover, the following Manuals are available:

- Service Manual (that can be consulted at Advance Service Centers)

SPARE PARTS AND MAINTENANCE

All necessary operating, maintenance and repair procedures must be performed by qualified personnel or by Advance Service Centers. Only original spare parts and accessories must be used.

Contact Advance for service or to order spare parts and accessories, specifying the machine model, product code and serial number.

CHANGES AND IMPROVEMENTS

Advance constantly improves its products and reserves the right to make changes and improvements at its discretion without being obliged to apply such benefits to the machines that were previously sold.

Any change and/or addition of accessories must be approved and performed by Advance.

OPERATION CAPABILITIES

This sweeper has been designed to clean (by sweeping and vacuuming) smooth and solid floors, and to collect dust and light debris, in civil and industrial environments, under safe operation conditions by a qualified operator.

CONVENTIONS

Forward, backward, front, rear, left or right are intended with reference to the operator's position, that is to say with the hands on the handlebar (10).

UNPACKING/DELIVERY



CAUTION!

To unpack the machine, carefully follow the instructions on the packing.

Upon delivery carefully check that the machine and its packing have not been damaged during transportation. In case of visible damages, keep the packing and have it checked by the carrier that delivered it. Call the carrier immediately to fill in a damage claim. Check that the machine is equipped with the following features:

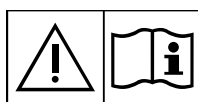
- Technical documents:
 - Sweeper Instructions for Use Manual (the present document)
 - Electronic Battery Charger Manual
 - Sweeper Spare Parts List
- No. 1 5 A fuse

SAFETY

The following symbols indicate potentially dangerous situations. Always read this information carefully and take all necessary precautions to safeguard people and property.

The operator's cooperation is essential in order to prevent injury. No accident prevention program is effective without the total cooperation of the person responsible for the machine operation. Most of the accidents that may occur in a factory, while working or moving around, are caused by failure to comply with the simplest rules for exercising prudence. A careful and prudent operator is the best guarantee against accidents and is essential for successful completion of any prevention program.

VISIBLE SYMBOLS ON THE MACHINE



WARNING!

Carefully read all the instructions before performing any operation on the machine.



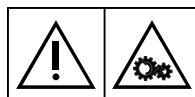
WARNING!

Do not wash the machine with direct or pressurised water jets.



WARNING!

Do not use the machine on slopes with a gradient exceeding the specifications.



WARNING!

Moving parts.

SYMBOLS THAT APPEAR ON THIS MANUAL



DANGER!

It indicates a dangerous situation with risk of death for the operator.



NOTE

It indicates a remark related to important or useful functions.



WARNING!

It indicates a potential risk of injury for people or damage to objects.



CONSULTATION

It indicates the necessity to refer to the Instructions for Use Manual before performing any procedure.



CAUTION!

It indicates a caution or a remark related to important or useful functions. Pay careful attention to the paragraphs marked by this symbol.

GENERAL INSTRUCTIONS

Specific warnings and cautions to inform about potential damages to people and machine are shown below.



DANGER!

- *Before performing any cleaning, maintenance, repair or replacement procedure, remove the ignition key.*
- *This machine must be used by properly trained operators only.*
- *Do not wear jewels when working near electrical components.*
- *Do not work under the lifted machine without supporting it with safety stands.*
- *Do not operate the machine near toxic, dangerous, flammable and/or explosive powders, liquids or vapors: This machine is not suitable for collecting dangerous powders.*
- *Keep the batteries away from sparks, flames and incandescent material. Explosive gases are released when charging the batteries.*
- *If the machine is equipped with lead (WET) batteries, battery charging produces highly explosive hydrogen gas. Charge the batteries in well-ventilated areas and away from naked flames.*
- *When lead batteries (WET) are installed, do not tilt the machine for more than 30° from the horizontal plane to prevent the highly corrosive acid from leaking out of the batteries. When the machine is to be tilted to perform maintenance procedures, remove the batteries.*



WARNING!

- *Carefully read all the instructions before performing any maintenance/repair procedure.*
- *Before using the battery charger, ensure that frequency and voltage values, indicated on the machine serial number plate, match the electrical mains voltage.*
- *Do not pull or carry the machine by the battery charger cable and never use the battery charger cable as a handle. Do not close a door on the battery charger cable, or pull the battery charger cable around sharp edges or corners. Do not run the machine on the battery charger cable.*
- *Keep the battery charger cable away from heated surfaces.*
- *Do not use the machine if the battery charger cable or plug is damaged. If the machine is not working as it should, has been damaged, left outdoors or dropped into water, return it to the Service Center.*
- *Before performing any maintenance procedure, disconnect the battery charger cable from the electrical mains to avoid any risk of fire, electric shock or injuries.*

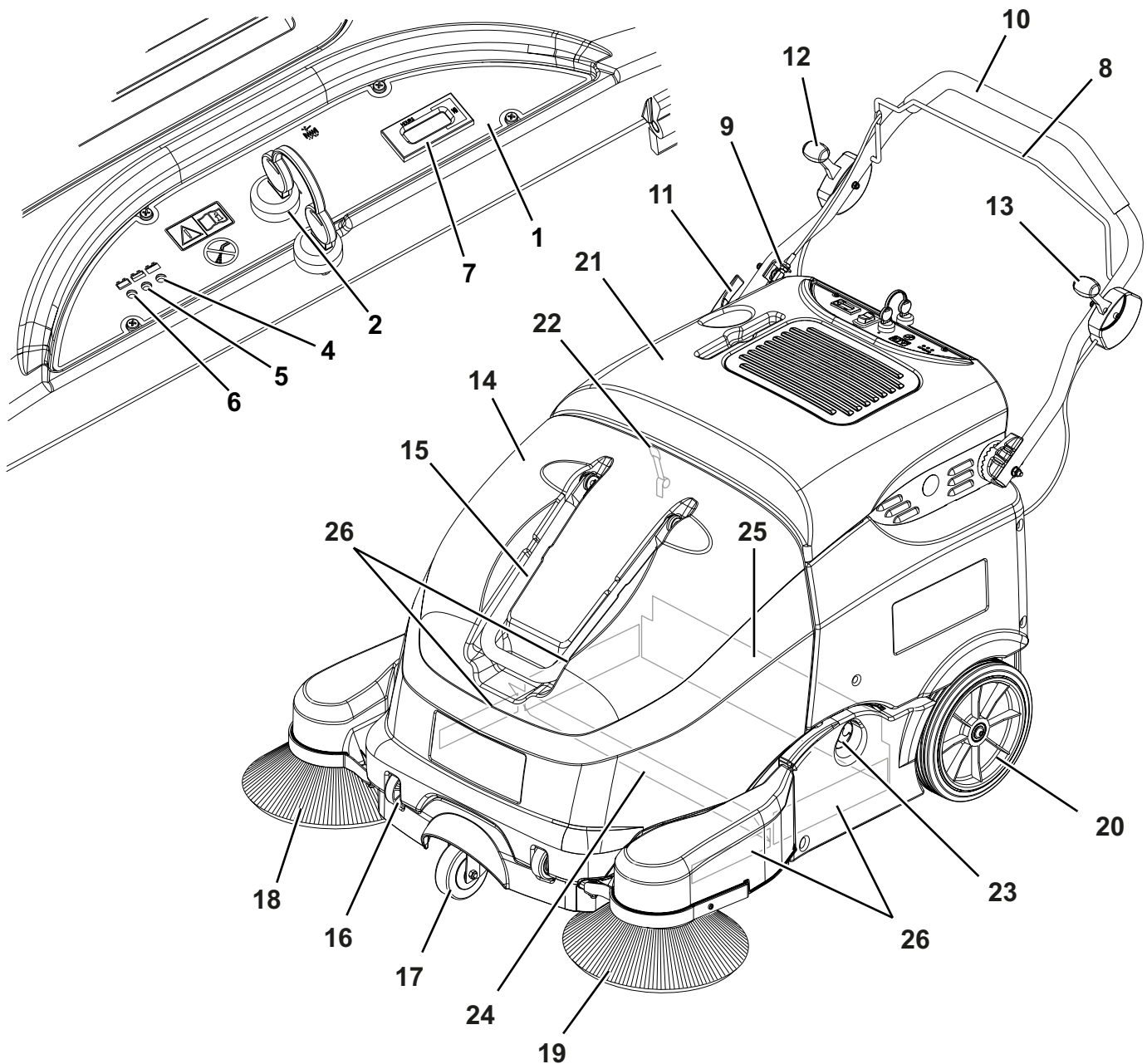
**WARNING!**

- *Do not smoke while charging the batteries.*
- *This machine is not intended for use by persons (including children) with reduced physical, sensory or mental capabilities, or lack of experience and knowledge, unless they have been given supervision or instruction concerning use of the machine by a person responsible for their safety. Children should be supervised to ensure that they do not play with the machine.*
- *Close attention is necessary when used near children.*
- *Use only as shown in this Manual. Use only Advance's recommended accessories.*
- *Check the machine carefully before each use, always check that all the components have been assembled before use. If the machine is not perfectly assembled it can cause damages to people and properties.*
- *Take all necessary precautions to prevent hair, jewels and loose clothes from being caught by the machine moving parts.*
- *To avoid any unauthorised use of the machine, remove the ignition key.*
- *Do not leave the machine unattended without being sure that it cannot move independently.*
- *Do not use the machine on inclined surfaces.*
- *Do not tilt the machine more than the angle indicated on the machine itself, in order to prevent instability.*
- *Use only brooms supplied with the machine or those specified in the Instructions for Use Manual. Using other brooms could reduce safety.*
- *Before using the machine, close all doors and/or covers, as indicated in the Instructions for Use Manual.*
- *Do not wash the machine with direct or pressurised water jets, or with corrosive substances.*
- *Use the machine only where a proper lighting is provided.*
- *While using this machine, take care not to cause damage to people or objects.*
- *Do not bump into shelves or scaffoldings, especially where there is a risk of falling objects.*
- *Do not lean liquid containers on the machine, use the relevant can holder.*
- *The machine storage temperature must be 32°F to 104°F (0°C to +40°C).*
- *The machine working temperature must be 32°F to 104°F (0°C to +40°C).*
- *The humidity must be between 30% and 95%.*
- *Always protect the machine against the rain and bad weather, both under operation and inactivity condition. Store the machine indoors, in a dry place. This machine must be used in dry conditions, it must not be used or kept outdoors in wet conditions.*
- *Do not use the machine as a means of transport, or for pushing/towing.*
- *Do not allow the brooms to operate while the machine is stationary to avoid damaging the floor.*
- *The machine maximum capacity is 66 lb (30 kg) (the maximum weight of waste).*
- *In case of fire, use a powder fire extinguisher, not a water one.*
- *This machine cannot be used on roads or public streets.*
- *Do not tamper with the machine safety guards.*
- *Follow the routine maintenance procedures scrupulously.*
- *Do not allow any object to enter into the openings. Do not use the machine if the openings are clogged. Always keep the openings free from dust, hairs and any other foreign material which could reduce the air flow.*
- *Do not remove or modify the plates affixed to the machine.*
- *In case of machine malfunctions, ensure that these are not due to lack of maintenance. If necessary, request assistance from the authorised personnel or from an authorised Service Center.*
- *If parts must be replaced, require ORIGINAL spare parts from an Authorised Dealer or Retailer.*
- *To ensure machine proper and safe operation, the scheduled maintenance shown in the relevant chapter of this Manual, must be performed by the authorised personnel or by an authorised Service Center.*
- *The machine must be disposed of properly, because of the presence of toxic-harmful materials (batteries, oils, etc.), which are subject to standards that require disposal in special centres (see the Scrapping chapter).*

MACHINE DESCRIPTION

MACHINE STRUCTURE

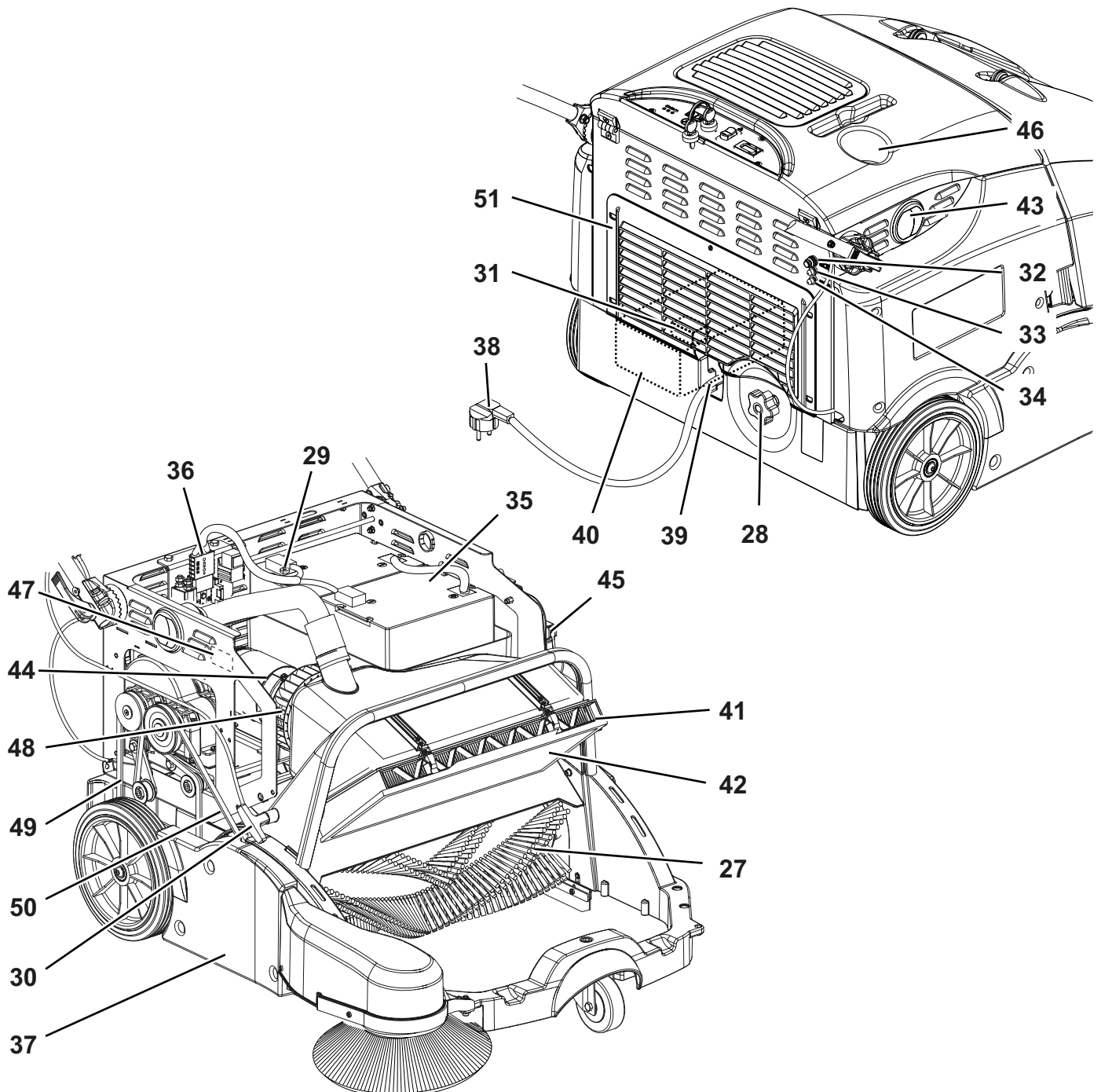
- | | |
|---|---|
| 1. Control panel | 13. Left side broom lifting/lowering lever (optional) |
| 2. Ignition key: | 14. Hopper |
| • Position "0": The machine is off and all functions are disabled | 15. Hopper transport handle |
| • Position "1": The machine is on and all functions are enabled | 16. Hopper wheels |
| 4. Charged battery LED (green) | 17. Front pivoting wheel |
| 5. Semi-discharged battery LED (yellow) | 18. Right side broom |
| 6. Discharged battery LED (red) | 19. Left side broom (optional) |
| 7. Hour counter | 20. Rear driving wheels |
| 8. Drive control lever | 21. Battery and main motor hood |
| 9. Drive system control adjuster | 22. Front hood latch |
| 10. Handlebar | 23. Left door opening/closing knob |
| 11. Handlebar tilting adjusting lever | 24. Front skirt |
| 12. Right side broom lifting/lowering lever | 25. Rear skirt |
| | 26. Side skirts |



P100813A

MACHINE STRUCTURE (Continues)

- | | |
|--|---|
| 27. Main broom | 39. Battery charger cable housing |
| 28. Main broom height adjusting knob | 40. Electronic battery charger |
| 29. Battery fuse | 41. Dust filter |
| 30. Manual filter shaker activation handle | 42. Pre-filter (optional) |
| 31. Battery charger fuse | 43. "Wet by-pass" port |
| 32. Main motor circuit breaker | 44. Main motor |
| 33. Right side broom motor circuit breaker | 45. Hopper position microswitch |
| 34. Left side broom motor circuit breaker (optional) | 46. Can holder |
| 35. Batteries | 47. Serial number plate/technical data/conformity certification |
| 36. Battery connector | 48. Vacuum fan |
| 37. Right door | 49. Driving belt |
| 38. Battery charger cable | 50. Main broom belt |
| | 51. Rear grid |



P100814A

ACCESSORIES/OPTIONS

In addition to the standard components, the machine can be equipped with the following accessories/options, according to the machine specific use:

- Left side broom
- Main and side brooms with harder or softer bristles
- Polyester dust filter
- Pre-filter
- Non-marking skirts

For further information concerning the optional accessories, contact an authorised Retailer.

TECHNICAL DATA

Model		SW900 B
Cleaning width	with one side broom	32.5 in (825 mm)
	with two side brooms	41.3 in (1,050 mm)
Main broom size (length x diameter)		23.6 x 10.4 in (600 x 265 mm)
Side broom diameter		12.4 in (315 mm)
Theoretical working capacity	with one side broom	39,987 ft ² /h (3,715 m ² /h)
	with two side brooms	50,859 ft ² /h (4,725 m ² /h)
Hopper	capacity	2.1 ft ³ (60 liters)
	maximum transportable weight	66 lb (30 kg)
Filter	cleaning system	Manual filter shaker
	area	20.5 ft ² (1.9 m ²)
	filtering capacity	5-10 µm
Power		Lead batteries for cyclic use / traction 12V (100 - 200 Ah C5)
Main motor	power (drive/main broom/vacuum system)	0.9 hp (680 W)
Main broom	speed	420 rpm
Side broom	motor power	0.05 hp (40 W)
	speed	100 rpm
Drive	forward speed	2.8 mi/h (4.5 km/h)
Maximum gradient when working		2 %
Total absorbed power		67 A (0.8 kW)
Working autonomy		3 h
Size (length x width x height)	machine running	54.7 x 34.2 x 43.3 in (1,390 x 870 x 1,100 mm)
	machine with folded handlebar	41.3 x 34.2 x 33 in (1,050 x 870 x 840 mm)
	machine with two side brooms	54.7 x 37.4 x 43.3 in (1,390 x 950 x 1,100 mm)
	battery compartment	12.9 x 9 x 15 in (327 x 230 x 380 mm)
Weight	kerb weight without batteries	181 lb (82 Kg)
	total kerb weight (*)	315 lb (143 Kg)
	gross vehicle weight (GVW)	388 lb (176 Kg)
Wheel specific pressure on the floor (front - rear wheels, in running conditions)		301 - 72 psi (2.1 - 0.5 N/mm ²)
Sound pressure level at workstation (ISO 11201, ISO 4871, EN 60335-2-72) (LpA)		70 ± 3 dB(A)
Machine sound pressure level (ISO 3744, ISO 4871, EN 60335-2-72) (LwA)		84 dB(A)
IP protection class		X3
U-turn space		61 in (1,550 mm)
Vibration level at the operator's arms (ISO 5349-1) (**)		< 98 in/s ² (< 2.5 m/s ²)

(*) With batteries and empty hopper.

(**) Under normal working conditions, on a level asphalt surface.

Machine material composition and recyclability

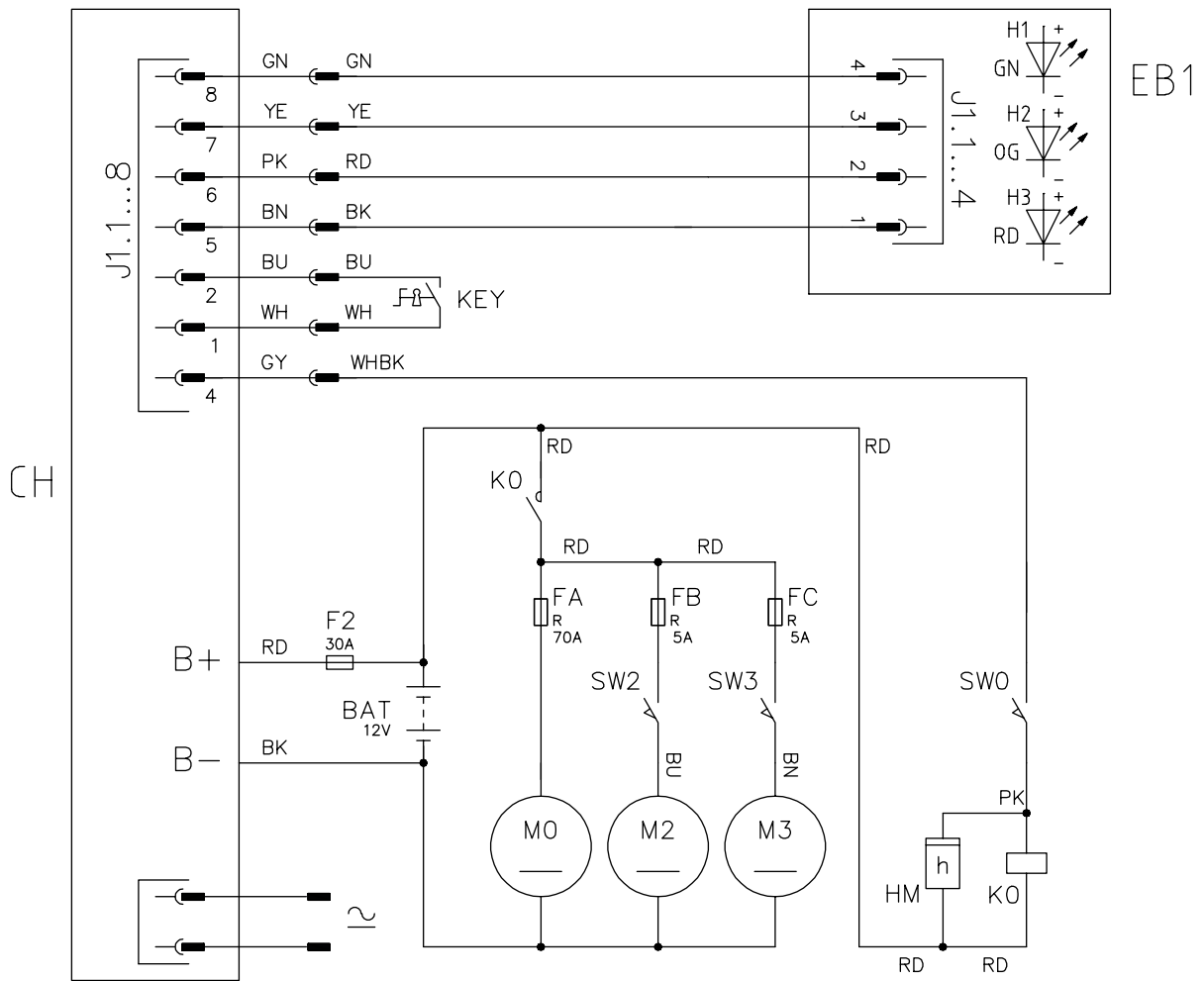
Type	Recyclable percentage	SW900 B weight percentage
Aluminium	100 %	2.4 %
Electric motors - various	29 %	11.8 %
Ferrous materials	100 %	39.4 %
Wiring harnesses	80 %	1.8 %
Liquids	100 %	0.0 %
Plastic - non-recyclable material	0 %	9.4 %
Plastic - recyclable material	100 %	27.1 %
Polyethylene	92 %	5.9 %
Rubber	20 %	2.4 %
Cardboard - paper - wood	100 %	28.6 %

WIRING DIAGRAM**Key**

BAT	12 V batteries
CH	Battery charger
EB1	Electronic board LED
F2	Battery charger fuse (30 A)
FA	Main motor circuit breaker (70 A)
FB	Right side broom circuit breaker (5 A)
FC	Left side broom circuit breaker (5 A) (optional)
HM	Hour counter
K0	Main motor electromagnetic switch
KEY	Ignition key
M0	Main motor
M2	Right side broom motor
M3	Left side broom motor (optional)
SW0	Hopper microswitch
SW2	Right side broom microswitch
SW3	Left side broom microswitch (optional)

Color codes

BK	Black
BU	Blue
BN	Brown
GN	Green
GY	Grey
OG	Orange
PK	Pink
RD	Red
VT	Violet
WH	White
YE	Yellow



P100815A

USE



WARNING!

On some points of the machine there are some adhesive plates indicating:

- **DANGER**
- **WARNING**
- **CAUTION**
- **CONSULTATION**

While reading this Manual, the operator must pay particular attention to the symbols shown on the plates (see the Visible Symbols On The Machine paragraph).

Do not cover these plates for any reason and immediately replace them if they are damaged.

BATTERY CHECK/SETTING ON A NEW MACHINE



WARNING!

The electric components of the machine can be seriously damaged if the batteries are either improperly installed or connected. The batteries must be installed by qualified personnel only.

According to the type of batteries (WET or GEL-AGM), set the machine battery charger.

Check the batteries for damage before installation.

Disconnect the battery connector and the battery charger plug.

Handle the batteries with great care.

Install the battery terminal protection caps supplied with the machine.

The machine requires one 12 V battery, or two 6 V batteries connected according to the diagram in Figure 1.

The machine can be supplied in one of the following configurations:

- WET or GEL batteries already installed on the machine
- Without batteries

According to machine configuration, proceed as follows.

a) WET or GEL-AGM batteries already installed on the machine

- Disengage the front latch (22) and open the battery and main motor hood (21), then check that the batteries are connected to the machine with the connector (36).
- Close the battery and main motor hood (21) and engage the front latch (22).
- Insert the ignition key (2) on the control panel and turn it to "I" without pulling the drive control lever (8).
If the green LED (4) turns on, the batteries are ready to be used.
If the yellow or red LED (5 or 6) turns on, the batteries must be charged (see the procedure in Maintenance chapter).

b) Without batteries

- Buy appropriate batteries (see the Technical Data paragraph and the diagram in Figure 1).
For battery choice and installation, apply to qualified battery Retailers.
- Disengage the front latch (22) and open the battery and main motor hood (21).
- Ensure that the battery connector (36) is disconnected.



WARNING!

The installed batteries may require a specific charging algorithm: to set the most appropriate charging algorithm for the installed batteries, always contact a qualified Advance Service Center.

- Carefully lift the batteries to the relevant compartment, then place them as shown in Figure 1.
- Route and install the battery cable as shown in the diagrams in Figure 1, then carefully tighten the nut on each battery terminal.
- Place the protection cap on each terminal, then connect the battery connector (36).
- Close the battery and main motor hood (21) and engage the front latch (22).
- Charge the batteries (see the procedure in Maintenance chapter).

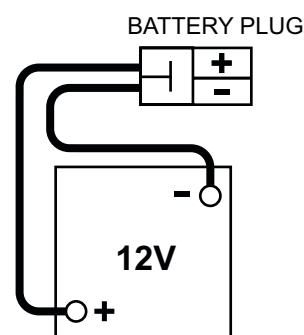
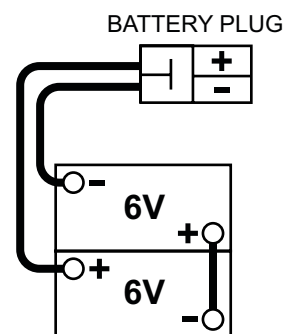


Figure 1

P100816

BEFORE MACHINE START-UP

1. Make sure that there are no open doors/hoods and that the machine is in normal operating conditions.
2. If the machine has not been used after being transported, check that all the blocks used for the transportation have been removed.
3. Check that side and main brooms are installed, otherwise install them (see the procedure in Maintenance chapter).
4. Adjust the handlebar (10) as necessary, by using the lever (11).
When the adjustment is completed, close the lever.

STARTING AND STOPPING THE MACHINE

Starting the machine

1. Insert the ignition key (2) on the control panel and turn it to "I" without pulling the drive control lever (8).
During the first 3 seconds, the battery LEDs (4, 5 and 6) flashing indicates the type of battery installed. Then, if the battery charge is sufficient, the main motor (44) turn on the main broom (27) and the vacuum fan (48).
If the green LED (4) turns on, the batteries are ready to be used.
If the yellow or red LED (5 or 6) turns on, the batteries must be charged (see the procedure in Maintenance chapter).



WARNING!

The machine cannot be started when the hopper (14) is not its position. A safety system prevents it from starting.

2. Lower the side brooms (18) and (19, optional), by pulling the levers (12) and (13, optional) backwards.



NOTE

The side brooms turn on when lowered and can be lowered and lifted even when the machine is moving.

3. Start sweeping by grasping the handlebar (10) and pulling the drive control lever (8) gradually.

Stopping the machine

1. To stop the machine, release the drive control lever (8) completely.
2. To stop the side brooms (18) and (19, optional), pull the levers (12) and (13, optional) onwards.
3. To turn off the main broom (27) and the vacuum fan (48), turn the ignition key (2) to "0".
4. Make sure that the machine cannot move independently.

MACHINE OPERATION

1. Drive the machine to the work area as shown in the previous paragraph.
2. Avoid stopping for a long time with the machine in the same position and the brooms turning: this could create unwanted marks on the floor.
3. For machine proper operation, the dust filter (41) must be as clean as possible. For cleaning it, stop the machine and use the handle (30) to activate the manual filter shaker.



NOTE

Repeat the filter shaking procedure at least every 10 minutes. This interval can change depending on the dustiness of the area to be cleaned.



NOTE

When the dust filter is clogged and/or the hopper (14) is full, the machine cannot collect dust and debris anymore.

4. When operating on wet floors, open the "wet by-pass" port (43) to avoid damaging the dust filter.
When operating on dry floors, close the "wet by-pass" port (43) to restore proper vacuuming.
5. The hopper (14) should be emptied after each working cycle and whenever it is full.



NOTE

When the hopper is full, the machine cannot collect dust and debris anymore.

HOPPER DUMPING

1. Stop the machine and turn the ignition key (2) to "0".
2. Remove the hopper (14) by using the transport handle (15) and the wheels (16) to drag it at the waste collection centre, then empty it.
3. Reinstall the hopper on the machine.
4. The machine is ready to start sweeping again.



NOTE

When the hopper is removed, all machine functions are disabled.

AFTER USING THE MACHINE

After working, before leaving the machine, perform the following procedures.

- Turn on the manual filter shaker with the handle (30).
- Turn the ignition key (2) to "0" to stop the machine.
- Empty the hopper (14) (see the procedure in the previous paragraph).
- Lift the side brooms (18) and (19, optional), by pulling the levers (12) and (13, optional) onwards.
- Make sure that the machine cannot move independently.
- Charge the batteries (see the procedure in Maintenance chapter).

PUSHING THE MACHINE

The machine can be pushed both with the ignition key (2) to "0" and to "1".

MACHINE LONG INACTIVITY

If the machine is not going to be used for more than 30 days, proceed as follows:

- Perform the procedures shown in After Machine Use paragraph.
- Check that the machine storage area is dry and clean.
- Disconnect the battery connector (36).
- Slightly lift the machine so that the skirts, the main broom and the wheels do not touch the ground.

MAINTENANCE

The lifespan of the machine and its maximum operating safety are ensured by correct and regular maintenance.

The following table provides the scheduled maintenance. The intervals shown may vary according to particular working conditions, which are to be defined by the person in charge of the maintenance.

All scheduled or extraordinary maintenance procedures must be performed by qualified personnel, or by an authorised Service Center.

This Manual describes only the easiest and most common maintenance procedures.

For other maintenance procedures shown in the Scheduled Maintenance Table, refer to the Service Manual that can be consulted at any Service Center.



WARNING!

To perform maintenance procedures, the machine must be off, the ignition key removed, and, if necessary, the batteries must be disconnected.

Read carefully the instructions in the Safety chapter before performing any maintenance procedure.

SCHEDULED MAINTENANCE TABLE

Procedure	Upon delivery	Every 10 hours	Every 50 hours	Every 200 hours	Every 400 hours
Battery charging	(1)				
Battery (WET) fluid level check					
Battery charger cable check					
Dust filter cleaning and integrity check		(2)			
Side and main broom height check and adjustment					
Skirt height and operation check					
Filter gasket check					
Driving belt check/adjustment: drive system, main broom.				(*)	
Hopper position microswitch operation check					
Driving belt replacement: drive system, main broom.				(*)	
Main motor carbon brush check or replacement					(*)

(*) For the relevant procedure, refer to the Service Manual.

(1) Daily or after using the machine.

(2) Or before use.

BATTERY CHARGER CABLE CHECK

Carefully check the battery charger cable (38) and the relevant plug for wear, cuts, cracks or other damages.

If the battery charger cable or the relevant plug is damaged, contact the Advance Service Center.

BATTERY CHARGING**CAUTION!**

Charge the batteries when the yellow (5) or red LED (6) turns on, or at the end of each cleaning cycle. Keeping the batteries charged make their life last longer.

**WARNING!**

When the batteries are discharged, charge them as soon as possible, as that condition makes their life shorter.

**WARNING!**

If the machine is equipped with lead (WET) batteries, battery charging produces highly explosive hydrogen gas. Charge the batteries in well-ventilated areas and away from naked flames. Do not smoke while charging the batteries. While charging the batteries always keep the hood open.

**WARNING!**

Pay careful attention when charging WET batteries as there may be battery fluid leakages. The battery fluid is corrosive. If it comes in contact with skin or eyes, rinse thoroughly with water and consult a physician.

1. Drive the machine on a level floor. Make sure that the machine cannot move independently.
2. Turn the ignition key (2) to "0".
3. Connect the cable (38) of the electronic battery charger (40) to the electrical mains.

**WARNING!**

The mains voltage and frequency must match the electronic battery charger values shown on the machine serial number plate (47).



NOTE

When the electronic battery charger is connected to the electrical mains, all machine functions are automatically disabled.

4. When the green LED (4) turns on, the batteries are charged.
For further information about the battery charger operation (40), see the Battery Charger Manual.
5. Disconnect the electronic battery charger cable (38) from the electrical mains and place it in its housing (39) on the machine.
6. Now the machine is ready to be used.

MAIN BROOM HEIGHT CHECK AND ADJUSTMENT



NOTE

Brooms with harder or softer bristles are available.
This procedure is applicable to all types of brooms.

Check

1. Check the main broom distance from the ground, according to the following procedure:
2. Drive the machine on a level floor.
3. Keep the machine stationary and turn on the main broom for a few seconds.
4. Stop the main broom, then move the machine and turn it off.
5. Check that the main broom print (A, Fig. 2), along its length, is 0.8 to 1.6 in (2 to 4 cm) wide.
6. If the print (A) is not within specifications, adjust the broom height.

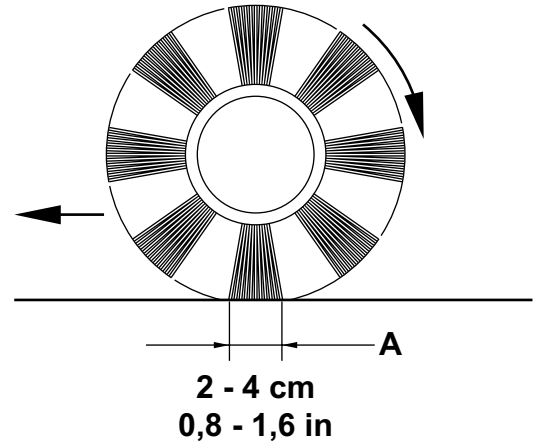


Figure 2

P100817

Adjustment

7. Turn the ignition key (2) to "0".
8. Turn the knob (B, Fig. 3) as shown below:
 - to increase the print width, turn the knob counter-clockwise
 - to decrease the print width, turn the knob clockwise



NOTE

The knob can be used both to adjust the print and to adjust the broom according to the bristle wear.

9. Perform step 1 again to check that the main broom is at the correct distance from the ground.
10. When the broom is too worn to be adjusted, replace it as shown in the next paragraph.



CAUTION!

If the main broom print is excessive (larger than 1.6 in (4 cm)), the machine regular operation is affected and the moving parts or electrical components can overheat, thus reducing machine life.

Pay careful attention when performing the above-mentioned checks, and always use the machine according to the indicated conditions.

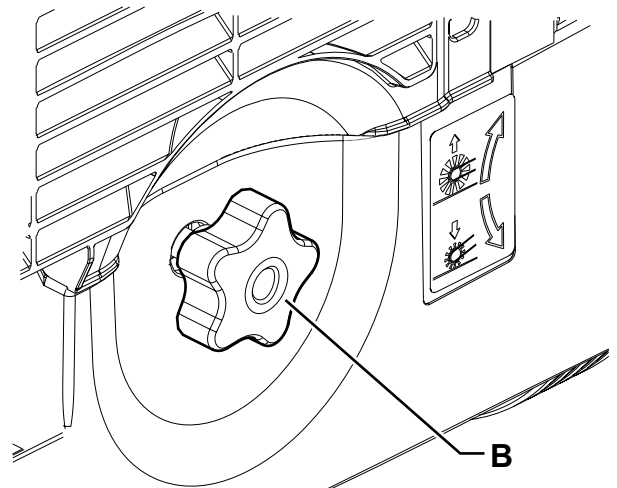


Figure 3

P100818

MAIN BROOM REPLACEMENT**CAUTION!**

It is advisable to wear protective gloves when replacing the main broom because there can be sharp debris between the bristles.

1. Drive the machine on a level floor.
2. Turn the ignition key (2) to "0".
3. Turn the main broom height adjusting knob (28) fully clockwise.
4. Remove the hopper (14).
5. Turn the knob (23) and open the left door (A, Fig. 4).
6. Loosen the knobs (B) and remove the main broom cover (C) by slightly turning it counter-clockwise.
7. Remove the main broom (D) from the front side of the machine.
8. Check that the drive hub (E) is free from dirt or foreign materials (cords, rags, etc.) accidentally rolled up.
9. Place the new main broom with the bristles rows (F) bent as shown in the figure.
10. Install the new main broom on the front side of the machine, and ensure that the mesh (G) properly fits into the relevant drive hub (E).
11. Install the main broom cover (C) and tighten the knobs (B).
12. Close the left door (A).
13. Adjust the main broom height as shown in the previous paragraph.

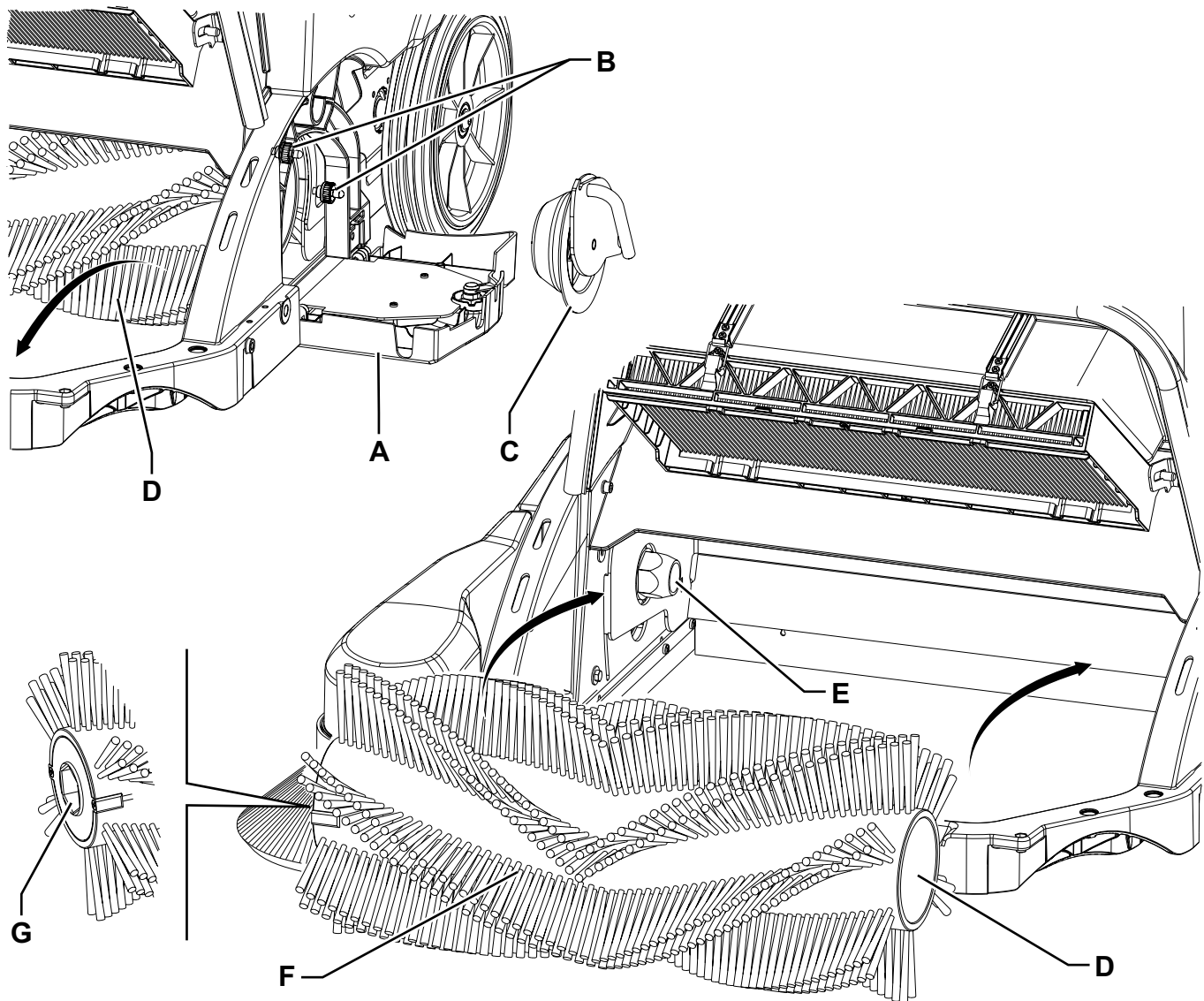


Figure 4

P100819

SIDE BROOM HEIGHT CHECK AND ADJUSTMENT



NOTE

Brooms with harder or softer bristles are available. This procedure is applicable to all types of brooms.



NOTE

This procedure is applicable to both the right side broom and left side broom (optional).

Check

1. Drive the machine on a level floor.
2. Turn the ignition key (2) to "I".
3. Lower the side broom with the lever (12).
4. The proper side broom height is reached when the bristles touch the floor along a circle arc as shown (A, Fig. 5). If the print (A) is not within specifications, adjust the broom height.

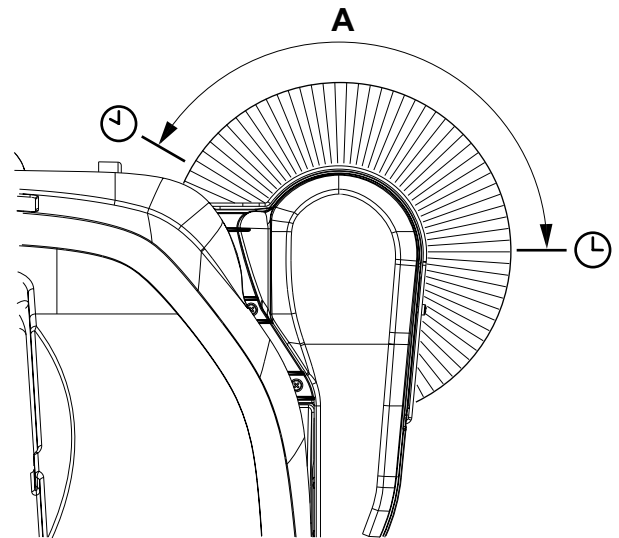
Adjustment

5. Turn the ignition key (2) to "0".
6. Loosen the nut (C, Fig. 6) under the cover (B) and turn the screw (D) clockwise or counter-clockwise to increase or decrease the side broom height. Then lock the screw with the nut.
7. Perform step 4 again to check that the side broom is at the correct distance from the ground.
8. When the broom is too worn to be adjusted, replace it as shown in the next paragraph.



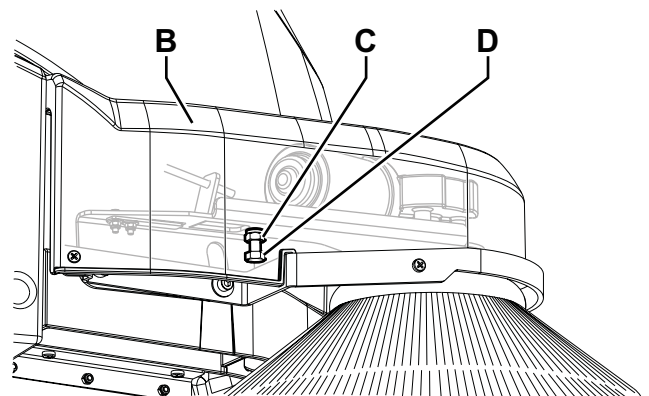
CAUTION!

If the side broom print is excessive, the machine regular operation is affected and the moving parts or electrical components can overheat, thus reducing machine life.



P100820

Figure 5



P100821

Figure 6

SIDE BROOM DISASSEMBLY/ASSEMBLY



CAUTION!

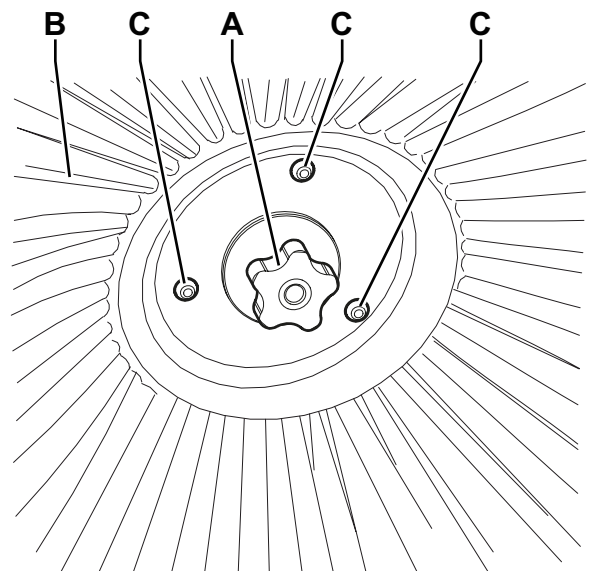
It is advisable to wear protective gloves when replacing the side broom because there can be sharp debris between the bristles.



NOTE

This procedure is applicable to both the right side broom and left side broom (optional).

1. Drive the machine on a level floor.
2. Turn the ignition key (2) to "0".
3. Loosen the knob (A, Fig. 7) inside the side broom, then remove the broom (B) by disengaging it from the three pins (C).
4. Install the new broom on the machine engaging it on the pins (C), then tighten the knob (A).
5. Adjust the height of the new broom according to the procedure shown in the previous paragraph.



P100822

Figure 7

SKIRT CHECK AND ADJUSTMENT

1. Drive the machine on a level floor that is suitable for checking the skirt height. Make sure that the machine cannot move independently.
2. Turn the ignition key (2) to "0".
3. Remove the hopper (14).
4. Remove the main broom (27) as shown in the relevant paragraph.

Side Skirt Check

5. Check the side skirts (26) for integrity. Replace the skirts when they have cuts (A, Fig. 8) larger than 20 mm or cracks/tears (B) larger than 10 mm (for skirt replacement, refer to the Service Manual).
6. Check that the height of the side skirts (26) is as shown in the figure (C), the side skirts must touch the floor all along their length.
7. If necessary, adjust the skirts according to the following procedure.

Side Skirt Adjustment

8. Remove the right door (52) to reach the nuts (D, Fig. 9).
9. Loosen the nuts (D) and the screw (E), then adjust the height of the right side skirt (F) by using the slots of the mounting holes.
10. Loosen the screws (G) and adjust the height of the right side recovery skirt (H) by using the slots of the mounting holes.
11. Loosen the screws (I) and the nuts (J), then adjust the height of the left side skirt (K) by using the slots of the mounting holes.
12. After that, tighten the screws and nuts.



NOTE

The adjustment procedure is applicable to both the right side recovery skirt (H) and left side recovery skirt (optional).

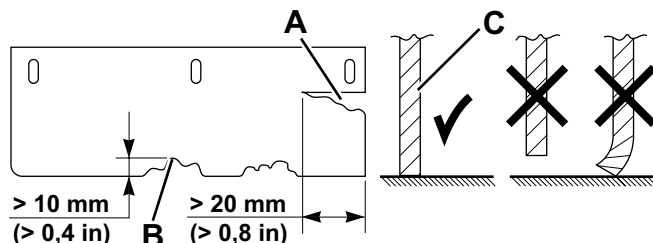
Front Skirt Check and Rear Skirt Check/Adjustment

13. On the hopper (14), check the front skirt (24) for integrity.
14. Check the rear skirt (25) for integrity.
15. Replace the skirts when they have cuts (A, Fig. 8) larger than 20 mm or cracks/tears (B) larger than 10 mm (for skirt replacement, refer to the Service Manual).
16. Check that the height of the rear skirt (25) is as shown in the figure (C), the skirt must touch the floor all along its length.
17. If necessary, loosen the screws (L, Fig. 10) and adjust the height of the skirt (M) by using the slots of the mounting holes.
18. When the adjustment is completed, tighten the screws (L).
19. Assemble the components in the reverse order of disassembly.



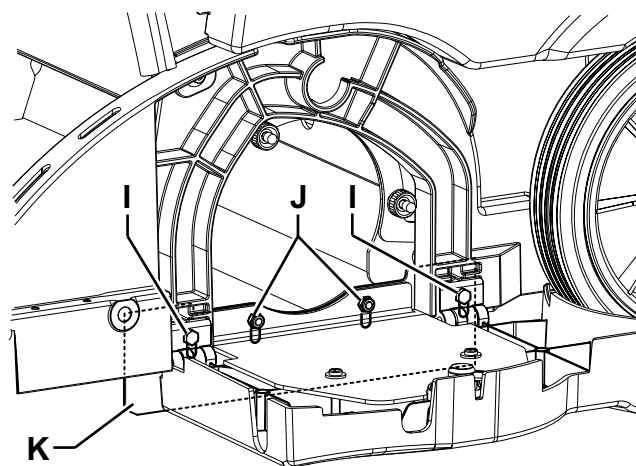
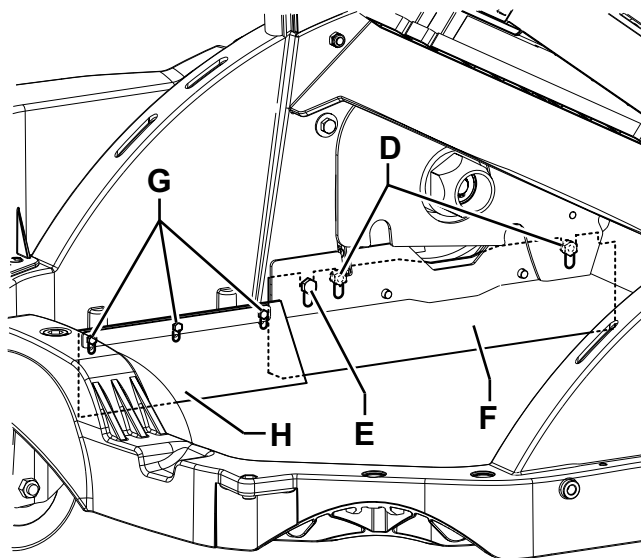
NOTE

The front skirt (24) on the hopper does not require to be adjusted.



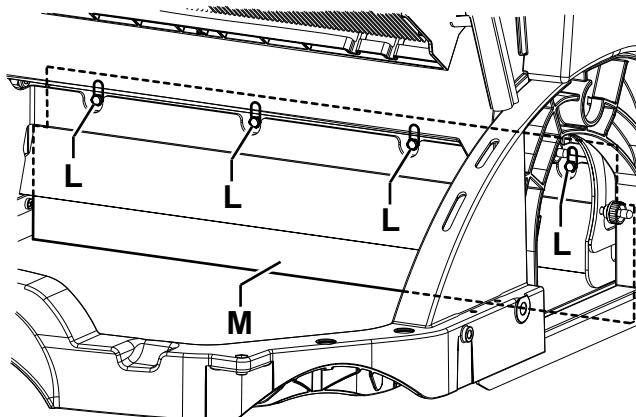
P100823

Figure 8



P100825

Figure 9



P100826

Figure 10

DUST FILTER CLEANING AND INTEGRITY CHECK

The dust filter must be regularly cleaned to maintain the efficiency of the vacuum system. Follow the recommended filter service intervals for the longest filter life.



WARNING!

Wear safety glasses when cleaning the filter.
Do not puncture the filter.
Clean the filter in a well-ventilated area.
Wear appropriate dust mask to avoid breathing in dust.



NOTE

Besides the standard paper filter, polyester filter is also available.

1. Drive the machine on a level floor and ensure that it cannot move.
2. Turn the ignition key (2) to "0".
3. Remove the hopper (14).
4. Disengage the levers (A, Fig. 11) and turn the filter holder (B) downwards.
5. Remove the dust filter (C).
6. In an outdoor area, clean the dust filter by shaking it on a level and clean surface, tapping the side (E, Fig. 12) opposite to the wire gauze (F).
7. Complete the cleaning procedure by using compressed air (G) at maximum 87 psi (6 Bar), blowing only from the side protected by the wire gauze (F).
 Moreover, according to the filter type, observe the following cautions:
 - Paper filter (standard): Do not use water or detergents to clean it, otherwise it can be damaged.
 - Polyester filter (optional): For a better cleaning, it is allowed to wash the filter with water and non-lathering detergents. This provides better quality cleaning but reduces the life of the filter, which will have to be replaced more frequently. The use of inadequate detergents can damage the filter.
8. Check the filter body for tears. Clean the gasket (H) along its perimeter and check it for integrity. If necessary, replace the filter.
9. If necessary, clean the filter compartment rubber gasket (D, Fig. 11) along its perimeter and check it for integrity. If necessary, replace it.
10. Assemble the components in the reverse order of disassembly.

Pre-filter Cleaning (optional)

11. Perform steps 1 to 3.
12. Remove the pre-filter (K, Fig. 13) and clean it with compressed air at maximum 87 psi (6 Bar).
13. Assemble the components in the reverse order of disassembly.

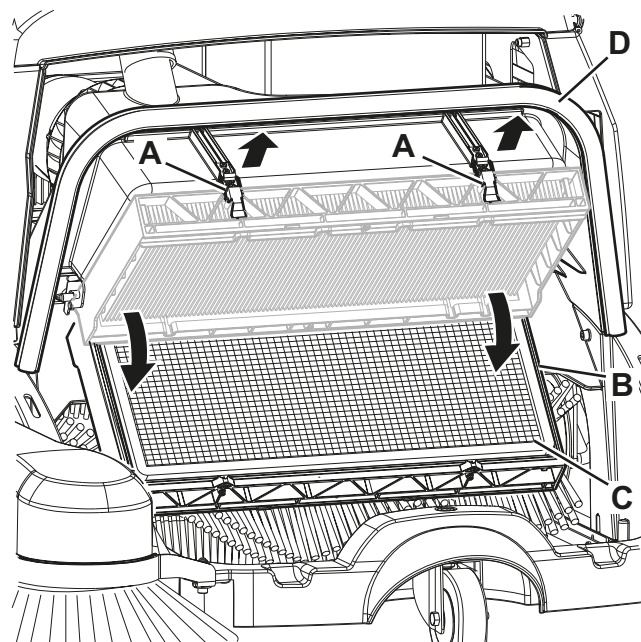


Figure 11

P100827

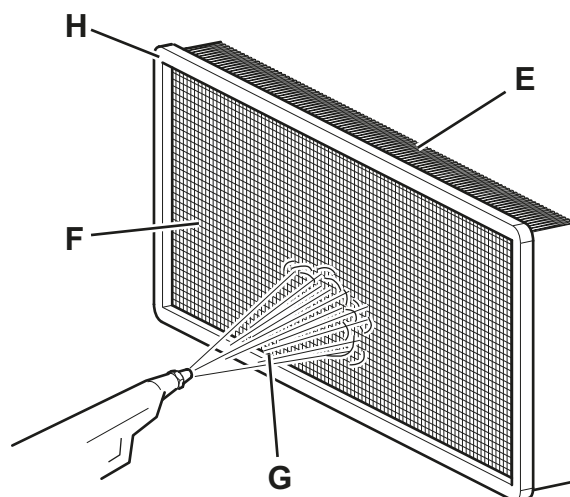


Figure 12

P100828

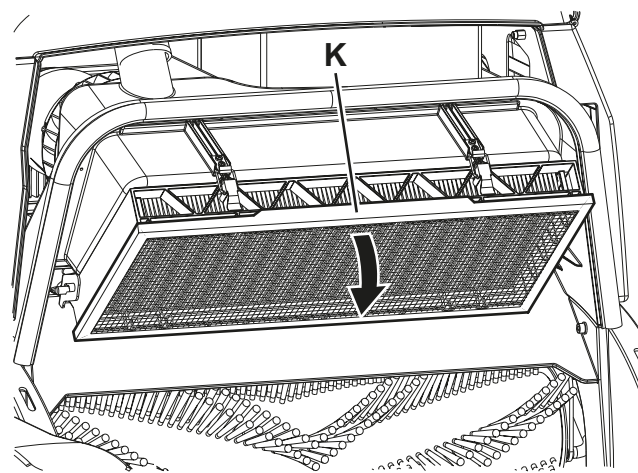


Figure 13

P100829

HOPPER POSITION MICROSWITCH OPERATION CHECK

1. Turn off the machine and remove the hopper (14).
2. Try to start the machine by turning the ignition key (2) to "I". The machine should not start. Turn the ignition key (2) to "0".
3. Reinstall the hopper (14).
4. If the machine keeps operating when the hopper (14) has been removed, contact an authorised Service Center or Retailer immediately.

FUSE CHECK/REPLACEMENT/RESET

1. Drive the machine on a level floor. Make sure that the machine cannot move independently.
2. Turn the ignition key (2) to "0".

Fuse Check

3. Check one of the following fuses for deactivation:
(32): Main motor fuse FA (70 A).
(33): Right side broom motor fuse FB (5 A)
(34): Left side broom motor fuse FC (5 A) (optional)
Reset any deactivated fuse, when the component that caused deactivation has fully cooled down.

Fuse check/replacement

4. Disengage the front latch (22) and open the battery and main motor hood (21).
5. Disconnect the battery connector (36).
6. Check/replace the relevant fuse among the following:
(29): Battery fuse F0 (125 A).
Check/replace the battery charger fuse (31) as follows:
7. Open the rear grid (51) by loosening the mounting screws.
8. Open the fuse holder and check/replace the F2 fuse (30 A).

Reassembly

9. Connect the battery connector (36).
10. Close the battery and main motor hood (21) and engage the front latch (22).
11. Close the rear grid (51) and tighten the screw.

BATTERY ELECTROLYTE LEVEL CHECK (FOR WET BATTERIES ONLY)

1. Disengage the front latch (22) and open the battery and main motor hood (21).
2. Check the level of electrolyte inside the batteries (35). If necessary, top up through the caps.
3. Close all the battery caps (35).
4. Close the battery and main motor hood (21) and engage the front latch (22).
5. If necessary, charge the batteries as shown in the relevant paragraph.

TROUBLESHOOTING

Trouble	Possible cause	Remedy
The machines functions are not enabled when turning the ignition key to "I".	The battery connector is disconnected.	Open the hood and connect the battery connector.
	The hopper is not in its proper position.	Place the hopper properly.
	The main motor circuit breaker (FA) is open.	Wait for the main motor to cool down, then reset the fuse by pressing the relevant push-button.
	The electronic battery charger is connected to the electrical mains.	Disconnect the electronic battery charger from the electrical mains.
	The hopper microswitch is broken.	Replace the microswitch. (*)
The side broom does not operate.	The fuse (FB) or (FC) (optional) is open.	Wait for the side broom motor to cool down, then reset the fuse by pressing the relevant push-button.
	The side broom microswitch is faulty.	Replace the relevant side broom microswitch. (*)
The machine collects little debris/dust.	The dust filter is clogged.	Clean the dust filter by using the filter shaker or by disassembling it.
	The hopper is full.	Empty the hopper.
	The skirts are not properly adjusted or are broken.	Adjust/replace the skirts.
	The brooms are not properly adjusted.	Adjust the broom height.
	The main broom belt is misadjusted or worn.	Adjust or replace the main broom belt. (*)
The machine operates only when stationary, otherwise the red warning light turns on.	The batteries are discharged.	Charge the batteries. If the trouble persists, replace the batteries.
The battery autonomy is low.	The batteries are dead.	Replace the batteries.
	The batteries capacity is low.	Buy batteries with higher capacity (see the Technical Data paragraph).
When pulling the drive control lever, the machine does not move, or it moves slowly.	The drive control cable is misadjusted or broken.	Adjust or replace the drive control cable. (*)
	The driving belt is misadjusted or worn.	Adjust or replace the driving belt. (*)

(*) Procedure to be performed by Advance Service Center.



NOTE

The machine cannot operate without the battery charger. In case of battery charger failure, contact an authorised Service Center.

For further information, refer to the Service Manual, available at any Advance Service Center.

SCRAPPING

Have the machine scrapped by a qualified scrapper.

Before scrapping the machine, remove and separate the following materials, which must be disposed of properly according to the Law in force:

- Batteries
- Polyester dust filter
- Main and side brooms
- Plastic hoses and components
- Electrical and electronic components (*)

(*) Refer to the nearest Advance Center especially when scrapping electrical and electronic components.

TABLE DES MATIÈRES

INTRODUCTION	2
BUT ET CONTENU DU MANUEL	2
DESTINATAIRES.....	2
CONSERVATION DU MANUEL.....	2
DONNÉES D'IDENTIFICATION	2
AUTRES MANUELS DE RÉFÉRENCE.....	2
PIÈCES DE RECHANGE ET ENTRETIEN	2
MODIFICATIONS ET AMÉLIORATIONS	2
CAPACITÉS OPÉRATIONNELLES	3
CONVENTIONS	3
DÉBALLAGE / LIVRAISON	3
SÉCURITÉ	3
SYMBOLES VISIBLES SUR LA MACHINE.....	3
SYMBOLES UTILISÉS DANS LE MANUEL.....	4
INSTRUCTIONS GÉNÉRALES.....	4
DESCRIPTION DE LA MACHINE	6
STRUCTURE DE LA MACHINE.....	6
ACCESSOIRES / OPTIONS.....	8
CARACTÉRISTIQUES TECHNIQUES.....	8
SCHÉMA ÉLECTRIQUE.....	9
UTILISATION	10
CONTRÔLE / PRÉPARATION DES BATTERIES SUR UNE MACHINE NEUVE	11
AVANT LA MISE EN MARCHÉ.....	12
MISE EN MARCHÉ ET ARRÊT DE LA MACHINE	12
MACHINE AU TRAVAIL	12
VIDANGE DU CONTENEUR DÉCHETS	13
APRÈS L'UTILISATION DE LA MACHINE	13
DÉPLACEMENT PAR POUSSÉE DE LA MACHINE.....	13
INACTIVITÉ PROLONGÉE DE LA MACHINE	13
ENTRETIEN	13
PLAN D'ENTRETIEN PROGRAMMÉ.....	14
CONTRÔLE DU CÂBLE DU CHARGEUR DE BATTERIE.....	14
CHARGEMENT DES BATTERIES	14
CONTRÔLE ET RÉGLAGE DE LA HAUTEUR DU BALAI CENTRAL	15
REMPLACEMENT DU BALAI CENTRAL.....	16
CONTRÔLE ET RÉGLAGE DE LA HAUTEUR DU BALAI LATÉRAL	17
DÉPOSE / REPOSE DU BALAI LATÉRAL.....	17
CONTRÔLE ET RÉGLAGE DES VOLETS	18
NETTOYAGE ET CONTRÔLE DE L'INTÉGRITÉ DU FILTRE A POUSSIÈRE	19
CONTRÔLE DE LA FONCTIONNALITÉ DU MICROINTERRUPTEUR DE POSITION CONTENEUR DÉCHETS.....	20
CONTRÔLE / RÉTABLISSEMENT / REMPLACEMENT DES FUSIBLES	20
CONTRÔLE DU NIVEAU DE L'ÉLECTROLYTE DES BATTERIES (UNIQUEMENT POUR BATTERIES WET).....	20
DÉPISTAGE DES PANNES	21
MISE À LA FERRAILLE	22

INTRODUCTION



REMARQUE

Les nombres entre parenthèses se réfèrent aux composants indiqués au chapitre Description de la machine.

BUT ET CONTENU DU MANUEL

Ce manuel se propose de fournir à l'opérateur toutes les informations nécessaires afin qu'il puisse utiliser la machine correctement et la gérer de la manière la plus autonome et sûre. Il comprend des informations relatives à l'aspect technique, la sécurité, le fonctionnement, l'arrêt de la machine, l'entretien, les pièces de rechange et la mise à la ferraille.

Avant d'effectuer toute opération sur la machine, les opérateurs et les techniciens qualifiés doivent lire attentivement les instructions contenues dans ce manuel. En cas de doutes sur la correcte interprétation des instructions, contacter Advance pour avoir plus de renseignements.

DESTINATAIRES

Ce manuel s'adresse à l'opérateur aussi bien qu'aux techniciens préposés à l'entretien de la machine.

Les opérateurs ne doivent pas exécuter les opérations réservées aux techniciens qualifiés. Advance ne répond pas des dommages dus à l'inobservance de cette interdiction.

CONSERVATION DU MANUEL

Le manuel des instructions d'utilisation doit être gardé près de la machine, dans une enveloppe spéciale et, surtout, loin de liquides et de tout ce qui pourrait en compromettre l'état de lisibilité.

DONNÉES D'IDENTIFICATION

Le numéro de série et le modèle de la machine sont indiqués sur la plaque (47).

La plaque indique également le code du produit et l'année de fabrication.

Ces informations sont nécessaires lors de la commande des pièces de rechange de la machine. Utiliser l'espace suivant pour noter les données d'identification de la machine.

Modèle de la MACHINE
Code du PRODUIT
Numéro de série de la MACHINE

AUTRES MANUELS DE RÉFÉRENCE

- Manuel du chargeur de batterie électronique (qui doit être considéré comme une partie intégrante de ce manuel)
- Catalogue de pièces de rechange (livré avec la machine)

Les manuels suivants sont aussi disponibles :

- Manuel d'entretien (consultable auprès des Services après-vente Advance)

PIÈCES DE RECHANGE ET ENTRETIEN

Pour toute nécessité concernant l'emploi, l'entretien et la réparation, s'adresser au personnel qualifié ou directement aux Services après-vente Advance. N'utiliser que des pièces de rechange et accessoires d'origine.

Pour l'assistance ou la commande de pièces de rechange et d'accessoires, contacter Advance en spécifiant toujours, le modèle, le code du produit et le numéro de série.

MODIFICATIONS ET AMÉLIORATIONS

Advance vise à un constant perfectionnement de ses produits et se réserve le droit d'effectuer des modifications et des améliorations lorsqu'elle le considère nécessaire sans l'obligation de modifier les machines précédemment vendues.

Il est entendu que toute modification et / ou addition d'accessoires doit toujours être approuvée et réalisée par Advance.

CAPACITÉS OPÉRATIONNELLES

Cette balayeuse est homologuée pour le nettoyage (balayage et aspiration) de sols solides et compacts et pour collecter les déchets légers en milieux civils et industriels, en condition de complète sécurité par un opérateur qualifié.

CONVENTIONS

Toutes les références à en avant, en arrière, avant, arrière, droite ou gauche indiquées dans ce manuel doivent être considérées comme référées à l'opérateur en position de conduite, les mains sur le guidon (10).

DÉBALLAGE / LIVRAISON



AVERTISSEMENT !

Pour déballer la machine, suivre attentivement les instructions sur l'emballage.

Lors de la livraison de la machine, contrôler attentivement que l'emballage et la machine n'ont pas été endommagés pendant le transport. Si les dommages sont évidents, garder l'emballage de façon qu'il puisse être examiné par le transporteur qui l'a livré. Contacter immédiatement le transporteur pour remplir une demande de dommages-intérêts.

Contrôler que le matériel livré avec la machine correspond à la liste suivante :

- Documentation technique :
 - Manuel des instructions de la balayeuse (ce manuel)
 - Manuel du chargeur de batterie électronique
 - Catalogue de pièces de rechange de la balayeuse
- N° 1 fusible de 5 A

SÉCURITÉ

On utilise la symbolique suivante pour signaler les conditions de danger potentielles. Lire attentivement ces informations et prendre les précautions nécessaires pour protéger les personnes et les choses.

Pour éviter tout accident, la collaboration de l'opérateur est essentielle. Aucun programme de prévention des accidents du travail ne peut résulter efficace sans la totale collaboration de la personne directement responsable du fonctionnement de la machine. La plupart des accidents qui peuvent survenir dans une entreprise, pendant le travail ou les déplacements, sont dus à l'inobservance des plus simples règles de prudence. Un opérateur attentif et prudent est la meilleure garantie contre les accidents du travail et se révèle indispensable pour compléter n'importe quel programme de prévention.

SYMBOLES VISIBLES SUR LA MACHINE



ATTENTION !

Lire attentivement toutes les instructions avant toute opération dans la machine.



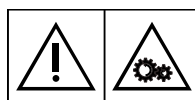
ATTENTION !

Ne pas laver la machine avec des jets d'eau directs ou sous pression.



ATTENTION !

Ne pas utiliser la machine sur des surfaces ayant une pente supérieure aux valeurs spécifiées.



ATTENTION !

Parties mobiles.

SYMBOLES UTILISÉS DANS LE MANUEL

**DANGER !**

Indique une situation dangereuse exposant l'opérateur au risque de blessures graves, voire mortelles.

**REMARQUE**

Indique une remarque sur des fonctions clé ou utiles.

**ATTENTION !**

Indique un risque potentiel d'accident pour les personnes ou de dommage matériel.

**CONSULTATION**

Indique la nécessité de consulter le manuel des instructions d'utilisation avant d'effectuer toute opération.

**AVERTISSEMENT !**

Indique un avertissement ou une remarque sur des fonctions clé ou utiles. Prêter la plus grande attention aux segments de texte marqués par ce symbole.

INSTRUCTIONS GÉNÉRALES

Les avertissements et précautions spécifiques suivants informent sur les potentiels risques de dommages à la machine ou aux personnes.

**DANGER !**

- *Avant d'effectuer toute opération de nettoyage de la machine, d'entretien, de remplacement des composants ou la conversion en autres fonctions, enlever la clé de contact.*
- *Cette machine doit être utilisée uniquement par le personnel adéquatement formé.*
- *Ne pas porter de bijoux quand on travaille près des composants électriques.*
- *Ne pas travailler sous la machine soulevée, sans des supports fixes de sécurité convenables.*
- *Ne pas opérer avec cette machine en présence de poudres, liquides ou vapeurs nuisibles, dangereux, inflammables et / ou explosifs : la machine ne doit pas être utilisée pour ramasser des matériaux dangereux.*
- *Tenir les étincelles, les flammes et les matériaux fumants et incandescents loin des batteries. Des gaz potentiellement explosifs se produisent pendant le chargement des batteries.*
- *Si la machine est équipée de batteries au plomb (WET), en chargeant les batteries un gaz hydrogène très explosif est produit. Effectuer l'opération de chargement des batteries exclusivement dans des endroits bien aérés et loin de flammes libres.*
- *En cas d'installation à bord de batteries au plomb (WET), ne pas incliner la machine de plus de 30° depuis l'horizontale, car cela pourrait provoquer des pertes de liquide très corrosif. Au cas où il serait nécessaire d'incliner la machine pour effectuer les opérations d'entretien, enlever les batteries.*

**ATTENTION !**

- *Avant d'effectuer toute activité d'entretien / réparation, lire attentivement toutes les instructions qui concernent l'entretien / réparation.*
- *Avant d'utiliser le chargeur de batterie, s'assurer que la fréquence et la tension indiquées sur la plaque avec numéro de série de la machine coïncident avec la tension du réseau.*
- *Ne pas utiliser le câble du chargeur de batterie pour tirer ou transporter la machine et ne pas utiliser le câble comme poignée. Ne pas fermer de porte sur le câble du chargeur de batterie, ne pas tirer le câble sur des surfaces ou coins tranchants. Ne pas faire passer la machine sur le câble du chargeur de batterie.*
- *Tenir le câble du chargeur de batterie loin des surfaces chaudes.*
- *Ne pas utiliser la machine si le câble du chargeur de batterie ou la fiche sont endommagés. Si la machine ne fonctionne pas correctement, si elle est endommagée, laissée à l'extérieur ou tombée dans l'eau, la porter auprès d'un Service après-vente.*
- *Avant d'effectuer l'entretien, afin de réduire tout risque d'incendie, de chocs électriques ou de lésions, débrancher le câble du chargeur de batterie du réseau électrique.*

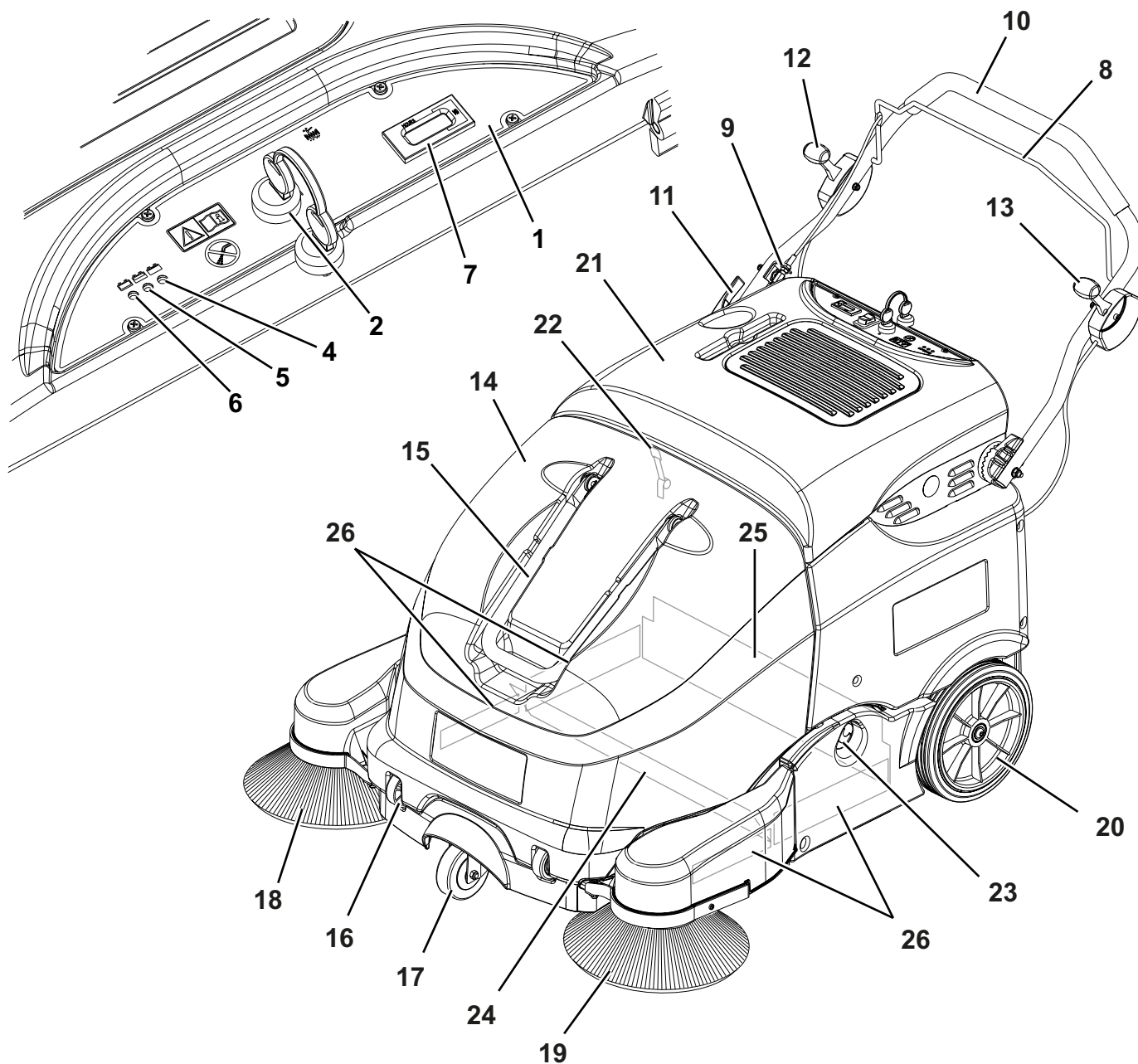
**ATTENTION !**

- *Ne pas fumer pendant le chargement des batteries.*
- *La machine ne doit être utilisée par des personnes (y compris les enfants) aux capacités physiques, mentales et sensorielles limitées ou dépourvues de l'expérience ou de la formation que sous la supervision ou avec les directives d'une personne responsable de leur sécurité. Les enfants doivent être surveillés afin de s'assurer qu'ils ne jouent pas avec la machine.*
- *Faire attention lorsque la machine est utilisée à proximité des enfants.*
- *Ne pas utiliser à des fins autres que celles prévues dans ce manuel. Utiliser seulement les accessoires recommandés par Advance.*
- *Contrôler attentivement la machine avant tout usage et vérifier que tous les composants soient installés avant l'utilisation. Si la machine n'est pas correctement installée, il y a le risque de lésions aux personnes et de dommage aux choses.*
- *Prendre les précautions convenables afin que les cheveux, les bijoux, les parties non adhérentes des vêtements ne soient pas capturés par les parties en mouvement de la machine.*
- *Pour éviter l'utilisation non autorisée de la machine, enlever la clé de contact.*
- *Avant de laisser la machine sans surveillance, veiller à ce que celle-ci ne puisse pas bouger de façon autonome.*
- *Ne pas utiliser la machine sur des plans inclinés.*
- *Afin de ne pas compromettre la stabilité, ne pas incliner la machine d'un angle supérieur à la valeur indiquée sur la machine même.*
- *Utilisez exclusivement les balais livrés avec la machine et spécifiés dans le manuel des instructions d'utilisation. L'utilisation de balais différents peut compromettre la sécurité.*
- *Avant d'utiliser la machine, fermer tous les couvercles et / ou portillons, comme indiqué dans le manuel des instructions d'utilisation.*
- *Ne pas laver la machine avec des jets d'eau directs ou sous pression ou avec des substances corrosives.*
- *Utiliser la machine exclusivement dans des endroits illuminés.*
- *Pendant l'utilisation de la machine, faire attention à sauvegarder l'intégrité des autres personnes et à éviter tout dommage matériel.*
- *Ne pas heurter contre des étagères ou des échafaudages, en particulier en cas de danger de chute d'objets.*
- *Ne pas poser de conteneurs de liquides sur la machine, mais utiliser le porte-objets prévu à cet effet.*
- *La température de stockage doit être comprise entre 32°F et 104°F (0°C et +40°C).*
- *La température de travail de la machine doit être comprise entre 32°F et 104°F (0°C et +40°C).*
- *L'humidité doit être comprise entre 30 % et 95 %.*
- *Protéger toujours la machine de la pluie et d'autres intempéries, pendant le fonctionnement et en état d'arrêt. Garder la machine dans un endroit couvert et sec : elle a été conçue pour l'utilisation à sec, par conséquent elle ne doit pas être utilisée ou gardée dehors, dans des conditions d'humidité.*
- *Ne pas utiliser la machine comme moyen de transport ou de poussée / remorquage.*
- *Ne pas faire travailler les balais lorsque la machine est arrêtée pour ne pas endommager le sol.*
- *La portée maximum de la machine est de 66 lb (30 kg) (poids maximum des déchets).*
- *En cas d'incendie, utiliser un extincteur à poudre, plutôt qu'un extincteur à eau.*
- *La machine n'est pas approuvée pour l'utilisation sur la voie publique.*
- *Ne pas altérer pour aucune raison les protections prévues pour la machine.*
- *Respecter scrupuleusement les instructions prévues pour l'entretien ordinaire.*
- *Ne pas laisser entrer d'objets dans les ouvertures. Ne pas utiliser la machine si les ouvertures sont bouchées. Garder les ouvertures de la machine libres de poussière, filasse, poils et tout autre corps étranger à même de réduire le flux d'air.*
- *Ne pas enlever ou altérer les plaques installées sur la machine.*
- *S'assurer que les éventuelles anomalies de fonctionnement de la machine ne dépendent pas du manque d'entretien. En cas contraire demander l'intervention de personnel autorisé ou d'un Service après-vente agréé.*
- *En cas de remplacement de pièces, demander les pièces de rechange D'ORIGINE à un concessionnaire ou revendeur agréé.*
- *Afin de garantir la sécurité et le bon fonctionnement de la machine, faire effectuer l'entretien programmé prévu au chapitre spécifique de ce manuel par du personnel autorisé ou par un Service après-vente agréé.*
- *Lors de la mise à la ferraille, la machine ne doit pas être abandonnée par la présence de matériaux toxiques (batteries, huiles etc.), sujets à des lois qui prévoient l'élimination auprès de centres spéciaux (voir le chapitre Mise à la ferraille).*

DESCRIPTION DE LA MACHINE

STRUCTURE DE LA MACHINE

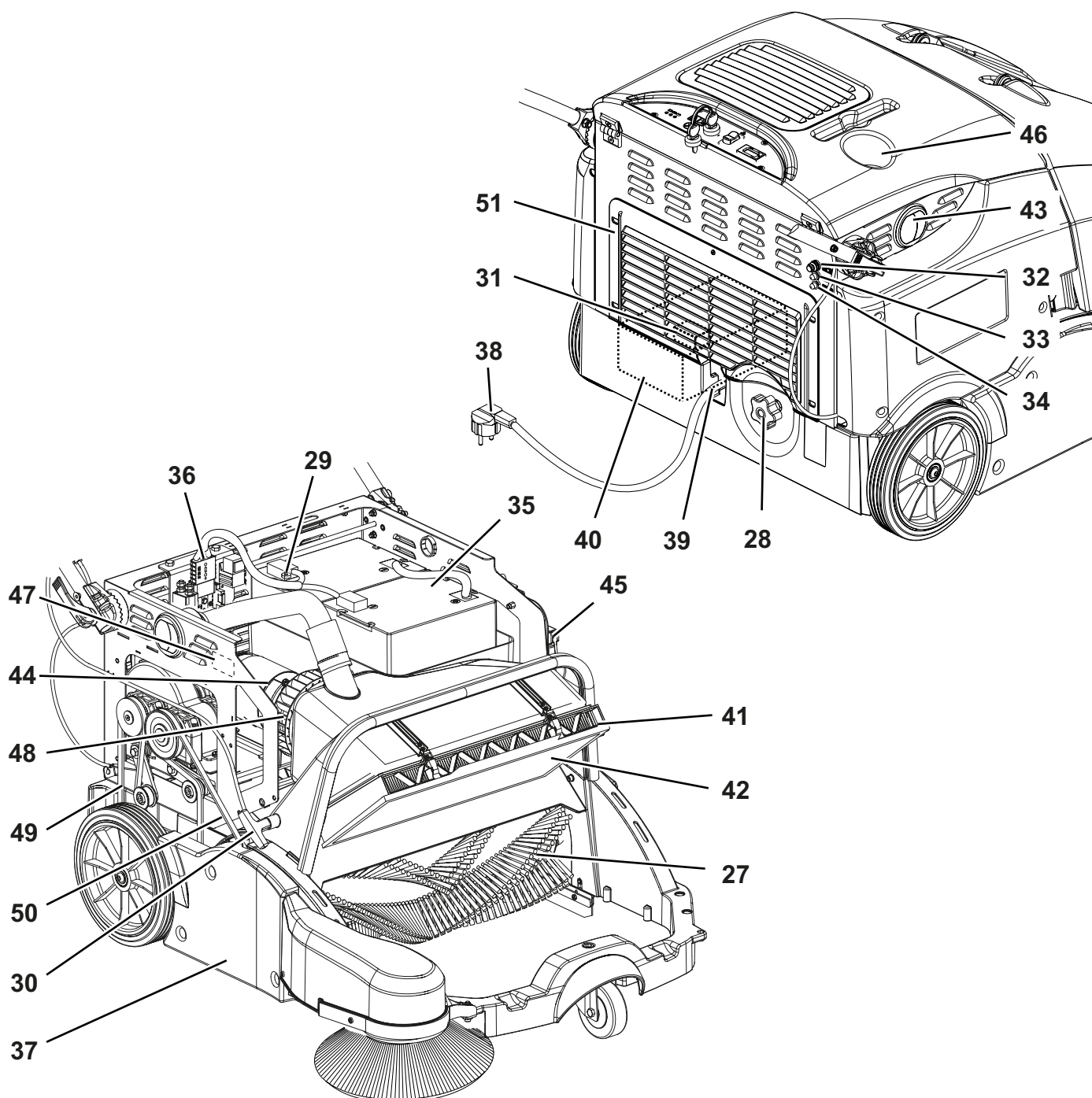
- | | |
|---|--|
| 1. Tableau de bord | 13. Levier de soulèvement / abaissement balai latéral gauche (optionnel) |
| 2. Clé de contact : | 14. Conteneur déchets |
| • Position «0» : machine à l'arrêt et fonctions désactivées | 15. Guidon de manutention conteneur déchets |
| • Position «I» : machine démarrée et fonctions activées | 16. Roues conteneur déchets |
| 4. DEL de signalisation batteries chargées (vert) | 17. Roue avant tournante |
| 5. DEL de signalisation batteries demi-chargées (jaune) | 18. Balai latéral droit |
| 6. DEL de signalisation batteries déchargées (rouge) | 19. Balai latéral gauche (optionnel) |
| 7. Compteur horaire | 20. Roues arrière de traction |
| 8. Levier de traction | 21. Coffre batteries et moteur principal |
| 9. Mécanisme d'ajustement commande de traction | 22. Dispositif de retenue avant de fermeture coffre |
| 10. Guidon | 23. Pommeau d'ouverture/fermeture portillon gauche |
| 11. Levier de réglage inclinaison guidon | 24. Volet avant |
| 12. Levier de soulèvement / abaissement balai latéral droit | 25. Volet arrière |
| | 26. Volets latéraux |



P100813A

STRUCTURE DE LA MACHINE (suite)

- | | |
|---|---|
| 27. Balai central | 39. Logement câble chargeur de batterie |
| 28. Poignée de réglage hauteur balai central | 40. Chargeur de batterie électronique |
| 29. Fusible batteries | 41. Filtre à poussière |
| 30. Poignée de démarrage secoueur manuel | 42. Préfiltre (optionnel) |
| 31. Fusible chargeur de batterie | 43. Goulotte «wet by-pass» |
| 32. Fusible restaurable moteur principal | 44. Moteur principal |
| 33. Fusible restaurable moteur balai latéral droit | 45. Micro-interrupteur de position conteneur déchets |
| 34. Fusible restaurable moteur balai latéral gauche (optionnel) | 46. Porte-objet |
| 35. Batteries | 47. Plaque avec numéro de série / données techniques / marquage de conformité |
| 36. Connecteur batteries | 48. Ventilateur d'aspiration |
| 37. Portillon droit | 49. Courroie de traction |
| 38. Câble chargeur de batterie | 50. Courroie balai central |
| | 51. Grille arrière |



P100814A

ACCESSOIRES / OPTIONS

Outre les composants présents dans le modèle standard, la machine peut être équipée des accessoires optionnels suivants, selon l'emploi spécifique de la machine :

- Balai latéral gauche
- Balais central et latéraux avec poils plus ou moins durs par rapport au standard
- Filtre à poussière en polyester
- Préfiltre
- Volet antitraçes

Pour de plus amples informations relatives aux accessoires optionnels susmentionnés, s'adresser au revendeur agréé.

CARACTÉRISTIQUES TECHNIQUES

Modèle		SW900 B
Largeur de lavage	avec un balai latéral	32.5 in (825 mm)
	avec deux balais latéraux	41.3 in (1 050 mm)
Dimensions balai central (longueur x diamètre)		23.6 x 10.4 in (600 x 265 mm)
Diamètre balai latéral		12.4 in (315 mm)
Capacité théorique de travail	avec un balai latéral	39,987 ft ² /h (3,715 m ² /h)
	avec deux balais latéraux	50,859 ft ² /h (4,725 m ² /h)
Conteneur déchets	capacité	2.1 ft ³ (60 litres)
	Poids maximum transportable	66 lb (30 kg)
Filtre	système de nettoyage	Secoueur manuel
	zone	20,5 ft ² (1,9 m ²)
	capacité de filtration	5-10 µm
Alimentation		Batteries au plomb pour utilisation cyclique / traction 12V (100 - 200 Ah C5)
Moteur principal	puissance (traction/balai central/aspiration)	0.9 hp (680 W)
Balai central	vitesse	420 tr/mn
Balai latéral	puissance moteur	0,05 hp (40 W)
	vitesse	100 tr/mn
Traction	vitesse en marche avant	2.8 mi/h (4,5 km/h)
Pente maximum d'utilisation		2 %
Puissance totale absorbée		67 A (0.8 kW)
Autonomie de travail		3 h
Dimensions (longueur x largeur x hauteur)	machine au travail	54.7 x 34.2 x 43.3 in (1 390 x 870 x 1 100 mm)
	machine avec guidon plié	41,3 x 34,2 x 33 in (1 050 x 870 x 840 mm)
	machine avec deux balais latéraux	54.7 x 37.4 x 43.3 in (1 390 x 950 x 1 100 mm)
	logement batteries	12.9 x 9 x 15 in (327 x 230 x 380 mm)
Poids	à vide sans batteries	181 lb (82 Kg)
	total en ordre de marche (*)	315 lb (143 Kg)
	maximum en ordre de marche (PTC)	388 lb (176 Kg)
Pression spécifique au sol des roues (avant - arrière, en ordre de marche)		301 - 72 psi (2,1 - 0,5 N/mm ²)
Niveau pression acoustique à l'oreille de l'opérateur (ISO 11201, ISO 4871, EN 60335-2-72) (LpA)		70 ± 3 dB(A)
Puissance acoustique émise par la machine (ISO 3744, ISO 4871, EN 60335-2-72) (LwA)		84 dB(A)
Degré de protection IP		X3
Espace de virage en U		61 in (1,550 mm)
Niveau de vibrations au bras de l'opérateur (ISO 5349-1) (**)		< 98 in/s ² (< 2,5 m/s ²)

(*) Avec batteries et conteneur déchets vide.

(**) En conditions de travail normales, sur une surface horizontale d'asphalte.

Composition du matériel de la machine et recyclabilité

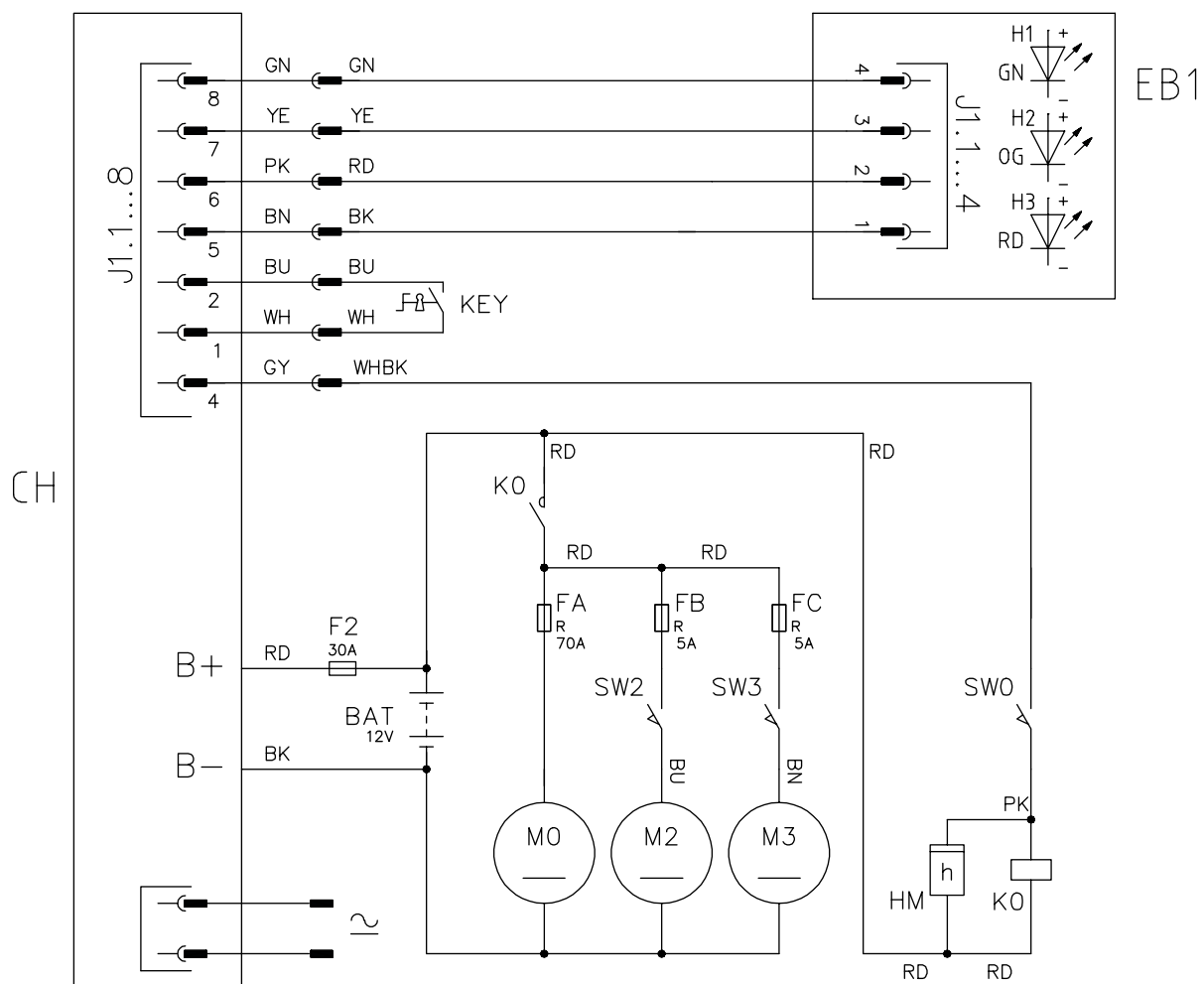
Type	% de recyclabilité	% de poids de la SW900 B
Aluminium	100 %	2,4 %
Moteurs électriques - divers	29 %	11,8 %
Matériaux en fer	100 %	39,4 %
Câbles	80 %	1,8 %
Liquides	100 %	0,0 %
Plastique - non recyclable	0 %	9,4 %
Plastique - recyclable	100 %	27,1 %
Polyéthylène	92 %	5,9 %
Caoutchouc	20 %	2,4 %
Carton - papier - bois	100 %	28,6 %

SCHÉMA ÉLECTRIQUE**Légende**

BAT	Batteries 12 V
CH	Chargeur de batterie
EB1	Carte LED
F2	Fusible chargeur de batterie (30 A)
FA	Fusible restaurable moteur principal (70 A)
FB	Fusible restaurable balai latéral droit (5 A)
FC	Fusible restaurable balai latéral gauche (5 A) (optionnel)
HM	Compteur horaire
K0	Térupteur moteur principal
KEY	Clé de contact
M0	Moteur principal
M2	Moteur balai latéral droit
M3	Moteur balai latéral gauche (optionnel)
SW0	Microinterrupteur conteneur déchets
SW2	Microinterrupteur balai latéral droit
SW3	Microinterrupteur balai latéral gauche (optionnel)

Codes des couleurs

BK	Noir
BU	Bleu clair
BN	Marron
GN	Vert
GY	Gris
OG	Orange
PK	Rose
RD	Rouge
VT	Violet
WH	Blanc
YE	Jaune



P100815A

UTILISATION



ATTENTION !

Des plaques adhésives appliquées sur certains points de la machine indiquent :

- DANGER
- ATTENTION
- AVERTISSEMENT
- CONSULTATION

Lors de la lecture de ce manuel, l'opérateur doit bien comprendre le sens des symboles illustrés dans les plaques (voir le paragraphe Symboles visibles sur la machine).

Ne pas couvrir les plaques et les remplacer immédiatement en cas d'endommagement.

CONTRÔLE / PRÉPARATION DES BATTERIES SUR UNE MACHINE NEUVE



ATTENTION !

Les composants électriques de la machine peuvent être sérieusement endommagés si les batteries ne sont pas installées et branchées de façon correcte. Les batteries doivent être installées par le personnel qualifié. En fonction du type de batteries installé (WET ou GEL-AGM), configurer le chargeur de batterie de la machine. Avant l'installation des batteries, vérifier qu'elles ne sont pas endommagées. Débrancher le connecteur des batteries ou la fiche du chargeur de batterie. Déplacer les batteries avec attention. Installer les protections des bornes des batteries livrées avec la machine.

La machine requiert une batterie de 12 V ou deux batteries de 6 V branchées selon le schéma en Figure 1.

La machine peut être livrée selon une des configurations suivantes :

- Batteries (WET ou GEL) installées dans la machine et prêtes à l'utilisation
- Batteries non équipées

Selon la configuration, procéder comme suit.

a) Batteries (WET ou GEL-AGM) installées dans la machine et prêtes à l'utilisation

- Dégager le dispositif de retenue avant (22) et ouvrir le coffre batteries et moteur principal (21), puis vérifier que les batteries sont branchées à la machine à l'aide du connecteur (36).
- Fermer le coffre batteries et moteur principal (21) et engager le dispositif de retenue avant (22).
- Insérer la clé de contact (2) dans le tableau de bord et la tourner sur «I» sans tirer le levier de traction (8).
Si le LED vert (4) s'allume, les batteries sont prêtes à l'utilisation.
Si le LED jaune (5) ou le LED rouge (6) s'allume, il est nécessaire de charger les batteries (voir la procédure au chapitre Entretien).

b) Batteries non équipées

- Acheter des batteries adéquates [voir le chapitre Caractéristiques techniques et le schéma de Figure 1].
S'adresser aux revendeurs de batteries qualifiés pour le choix et l'installation.
- Dégager le dispositif de retenue avant (22) et ouvrir le coffre batteries et moteur principal (21).
- Vérifier que le connecteur (36) des batteries est débranché.



ATTENTION !

Les batteries installées pourraient nécessiter d'un algorithme de chargement spécifique : contacter toujours un Service après-vente qualifié Advance pour configurer l'algorithme de chargement le plus adapté à la batterie achetée.

- Soulever les batteries avec soin jusqu'à leur compartiment, puis les positionner correctement comme indiqué dans la figure 1.
- Positionner et installer les câbles des batteries comme indiqué dans les schémas dans la figure 1, puis serrer avec soin l'écrou sur chaque borne des batteries.
- Installer la protection sur chaque borne, puis brancher le connecteur des batteries (36).
- Fermer le coffre batteries et moteur principal (21) et engager le dispositif de retenue avant (22).
- Charger les batteries (voir la procédure au chapitre Entretien).

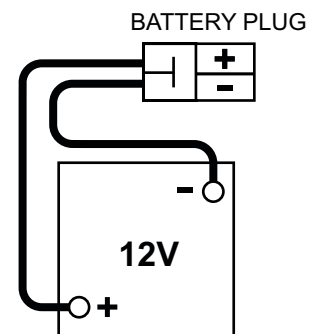
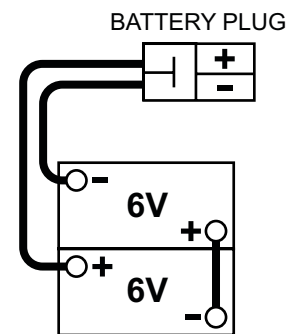


Figure 1

P100816

AVANT LA MISE EN MARCHÉ

1. Contrôler que la machine n'a pas de portillons / coffres ouverts et qu'elle se trouve dans des conditions normales d'utilisation.
2. Si la machine n'a pas encore été utilisée après le transport, vérifier que tous les sabots et les moyens de blocage utilisés pour le transport ont été enlevés.
3. Vérifier que le balai latéral et central ont été installés ; dans le cas contraire, les installer (voir les procédures au chapitre Entretien).
4. Utiliser le levier (11) pour régler l'inclinaison du guidon (10), selon sa propre commodité.
Après le réglage, repositionner le levier.

MISE EN MARCHÉ ET ARRÊT DE LA MACHINE

Mise en marche de la machine

1. Insérer la clé de contact (2) dans le tableau de bord et la tourner sur «I» sans tirer le levier de traction (8).
Dans les premières 3 secondes, les clignotements des DEL de signalisation batteries (4, 5 et 6) indiquent le type de batteries installées à bord. Successivement, si la charge des batteries est suffisante, le moteur principal (44) démarre le balai central (27) et le ventilateur d'aspiration (48).
Si le LED vert (4) s'allume, les batteries sont prêtes à l'utilisation.
Si le LED jaune (5) ou le LED rouge (6) s'allume, il est nécessaire de charger les batteries (voir la procédure au chapitre Entretien).



ATTENTION !

Le moteur ne peut pas être démarré si le conteneur déchets (14) n'est pas positionné correctement. Un système de sécurité en empêche le démarrage.

2. Baisser les balais latéraux (18) et (19, optionnel) en tirant les leviers (12) et (13, optionnel) en arrière.



REMARQUE

Les balais latéraux démarrent quand ils sont baissés et peuvent être soulevés même lorsque la machine est en mouvement.

3. Pour commencer le travail de nettoyage, saisir le guidon (10) et tirer graduellement le levier de traction (8).

Arrêt de la machine

1. Pour arrêter la machine, il suffit de relâcher complètement le levier de traction (8).
2. Pour arrêter les balais latéraux (18) et (19, optionnel), tirer les leviers (12) et (13, optionnel) en avant.
3. Pour arrêter le balai central (27) et le ventilateur d'aspiration (48), tourner la clé de contact (2) sur «0».
4. S'assurer que la machine ne peut pas bouger de façon autonome.

MACHINE AU TRAVAIL

1. Se porter sur le lieu de travail comme décrit au paragraphe précédent.
2. Ne pas s'arrêter pendant longtemps dans la même position avec les balais qui tournent : des traces non désirées pourraient rester sur le sol.
3. Pour un bon travail de balayage il faut que le filtre à poussière (41) soit le plus propre possible. Pour le nettoyer arrêter la machine et utiliser la poignée (30) pour activer le secoueur manuel.



REMARQUE

Répéter l'opération de secouement du filtre en moyenne toutes les 10 minutes pendant le travail. Varier l'intervalle en fonction de la quantité de poussière de l'endroit à nettoyer.



REMARQUE

Lorsque le filtre à poussière est obstrué et / ou le conteneur déchets (14) est plein, la machine n'arrive plus à collecter ni de poussière ni de déchets.

4. S'il est nécessaire d'opérer sur un sol mouillé, ouvrir la goulotte «wet by-pass» (43) pour éviter d'endommager le filtre à poussière.
Lorsqu'on travaille à nouveau sur un sol sec, fermer la goulotte «wet by-pass» (43) pour rétablir l'aspiration correcte.
5. Vider le conteneur déchets (14) chaque fois qu'il est plein ainsi qu'à la fin du travail.



REMARQUE

Lorsque le conteneur déchets est plein, la machine n'arrive plus à collecter ni de poussière ni de déchets.

VIDANGE DU CONTENEUR DÉCHETS

1. Arrêter la machine et tourner la clé de contact (2) sur «0».
2. Enlever le conteneur déchets (14) à l'aide du guidon de manutention (15) et les roues (16) pour le transporter dans un centre de collecte des déchets, puis le vider.
3. Installer à nouveau le conteneur déchets dans la machine.
4. La machine est prête pour reprendre le travail de balayage.



REMARQUE

Quand le conteneur déchets est déposé, toutes les fonctions de la machine sont exclues.

APRÈS L'UTILISATION DE LA MACHINE

Le travail effectué, avant de laisser la machine, effectuer les opérations suivantes :

- Activer le secoueur manuel à l'aide de la poignée (30).
- Tourner la clé de contact (2) sur «0» pour arrêter la machine.
- Vider le conteneur déchets (14) (voir les instructions au paragraphe précédent).
- Soulever les balais latéraux (18) et (19, optionnel) en tirant les leviers (12) et (13, optionnel) en avant.
- Veiller à ce que la machine ne puisse pas bouger de façon autonome.
- Charger les batteries (voir la procédure au chapitre Entretien).

DÉPLACEMENT PAR POUSSÉE DE LA MACHINE

La machine peut être déplacée par poussée avec la clé de contact (2) soit en position «0», soit en position «1».

INACTIVITÉ PROLONGÉE DE LA MACHINE

Si l'on prévoit de ne pas utiliser la machine pendant plus de 30 jours, il est convenable d'effectuer les opérations suivantes :

- Effectuer les opérations décrites au paragraphe Après l'utilisation de la machine.
- S'assurer de garder la machine dans un endroit sec et propre.
- Débrancher le connecteur (36) des batteries.
- Soulever légèrement la machine de façon que les volets, le balai central et les roues ne touchent pas le sol.

ENTRETIEN

La durée de vie de la machine et sa sécurité de fonctionnement sont garanties par un entretien soigné et régulier.

Veillez trouver ci-dessous le plan d'entretien programmé. Les périodicités indiquées peuvent subir des variations en fonction de conditions de travail particulières, à définir par le responsable de l'entretien.

Toutes les opérations d'entretien programmé ou extraordinaire doivent être effectuées par du personnel qualifié ou par un Service après-vente agréé.

Après le plan d'entretien programmé, ce manuel contient seulement les opérations d'entretien les plus simples et les plus récurrentes.

Pour les procédures des autres opérations d'entretien prévues par le plan d'entretien programmé et d'entretien extraordinaire, se référer au manuel d'entretien consultable auprès des Services après-vente.



ATTENTION !

Les opérations d'entretien doivent être effectuées avec la machine arrêtée, la clé enlevée et, le cas échéant, avec les batteries débranchées.

Lire attentivement toutes les instructions du chapitre Sécurité avant d'effectuer les opérations d'entretien.

PLAN D'ENTRETIEN PROGRAMMÉ

Procédure	Lors de la livraison	Toutes les 10 heures	Toutes les 50 heures	Toutes les 200 heures	Toutes les 400 heures
Charge des batteries	(1)				
Contrôle du niveau du liquide des batteries (WET)					
Contrôle du câble du chargeur de batterie					
Nettoyage et contrôle de l'intégrité du filtre à poussière		(2)			
Contrôle et réglage de la hauteur des balais latéraux et central					
Contrôle de la hauteur et du fonctionnement des volets					
Contrôle du joint du filtre					
Contrôle/réglage visuel courroies de transmission : système de traction, balai central.				(*)	
Contrôle de la fonctionnalité du microinterrupteur de position conteneur déchets					
Remplacement des courroies de transmission : système de traction, balai central				(*)	
Contrôle ou remplacement des charbons de moteur principal					(*)

(*) Pour la procédure relative, se référer au manuel d'entretien.

(1) Quotidienne ou après l'utilisation de la machine.

(2) Ou avant chaque utilisation.

CONTRÔLE DU CÂBLE DU CHARGEUR DE BATTERIE

Contrôler soigneusement que le câble du chargeur de batterie (38) et la fiche ne présentent pas de traces d'abrasion, de coupures ou de déchirures et vérifier qu'ils ne sont pas endommagés.

Si le câble du chargeur de batterie et la fiche sont endommagés, contacter un Service après-vente Advance.

CHARGEMENT DES BATTERIES



AVERTISSEMENT !

Charger les batteries lorsque le DEL jaune (5) ou rouge (6) s'allume, ou à la fin de chaque cycle de nettoyage. Garder les batteries chargées afin de prolonger leur vie utile.



ATTENTION !

Lorsque les batteries sont déchargées, les recharger dès que possible ; dans le cas contraire, leur durée de vie utile sera réduite.



ATTENTION !

Si la machine est équipée de batteries au plomb (WET), en chargeant les batteries un gaz hydrogène très explosif est produit. Charger les batteries exclusivement dans des endroits bien aérés et loin de flammes libres. Ne pas fumer pendant le chargement des batteries. Garder le coffre ouvert pendant tout le cycle de rechargement des batteries.



ATTENTION !

Pendant le chargement des batteries WET, prêter attention à d'éventuelles sorties de liquide des batteries. Ce liquide est hautement corrosif. En cas de contact avec les yeux ou la peau, laver et rincer abondamment à l'eau et consulter un médecin.

1. Amener la machine sur un sol plat. Veiller à ce que la machine ne puisse pas bouger de façon autonome.
2. Tourner la clé de contact (2) sur «0».
3. Brancher le câble (38) du chargeur de batterie (40) au réseau électrique.



ATTENTION !

La tension et la fréquence de réseau doivent coïncider avec la tension et la fréquence du chargeur de batterie électronique indiquées sur la plaque avec numéro de série de la machine (47).

**REMARQUE**

Lorsque le chargeur de batterie électronique est branché au réseau électrique, toutes les fonctions de la machine sont automatiquement exclues.

4. Lorsque le DEL vert (4) s'allume, les batteries sont chargées.
Pour de plus amples informations relatives au fonctionnement du chargeur de batterie (40), se référer au manuel du chargeur de batterie.
5. Débrancher le câble (38) du chargeur de batterie électronique du réseau électrique et le remettre dans le logement (39) de la machine.
6. La machine est prête à l'utilisation.

CONTRÔLE ET RÉGLAGE DE LA HAUTEUR DU BALAI CENTRAL

**REMARQUE**

La machine est livrée avec des balais de dureté différente. La procédure ci-décrite est applicable à tous les types de balais.

Contrôle

1. Contrôler la hauteur du sol du balai central, en procédant comme suit :
2. Amener la machine sur un sol plat.
3. Tout en gardant la machine en position d'arrêt, tourner le balai central pendant quelques secondes.
4. Arrêter le balai central, déplacer la machine et l'arrêter.
5. Contrôler que la largeur de la trace (A, Fig. 2) laissée par le balai central est comprise entre 0,8 et 1,6 in (entre 2 et 4 cm) dans toute sa longueur.
6. Au cas où la trace (A) résulterait différente, procéder au réglage de la hauteur du balai.

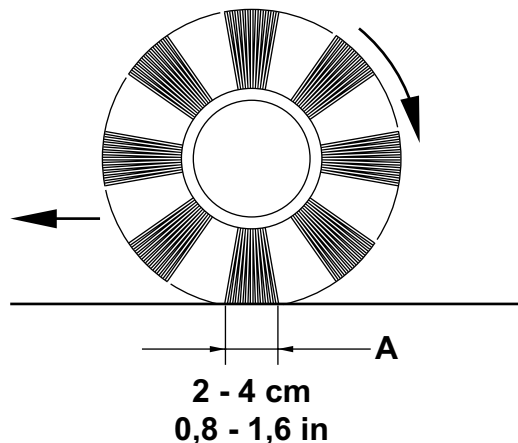


Figure 2

P100817

Réglage

7. Tourner la clé de contact (2) sur «0».
8. Tourner la poignée (B, Fig. 3), en considérant que :
 - pour augmenter la largeur de la trace, il faut tourner la poignée dans le sens contraire aux aiguilles d'une montre
 - pour réduire la largeur de la trace, il faut tourner la poignée dans le sens des aiguilles d'une montre

**REMARQUE**

Outre la fonction de réglage de la trace au sol, la poignée a aussi la fonction de réglage du balai selon l'usage des poils.

9. Exécuter à nouveau le point 1 pour vérifier le réglage de la hauteur du sol du balai central.
10. Lorsque l'usure excessive du balai n'en permet plus le réglage, le remplacer comme prévu au paragraphe suivant.

**AVERTISSEMENT !**

Une trace excessive [supérieure à 1,6 in (4 cm)] de la brosse centrale compromet le fonctionnement régulier de la machine et peut provoquer la surchauffe des parties en mouvement et électriques, en réduisant leur durée.

Prêter attention pendant l'opération de contrôle susmentionnée et ne pas faire fonctionner la machine en conditions différentes de celles décrites.

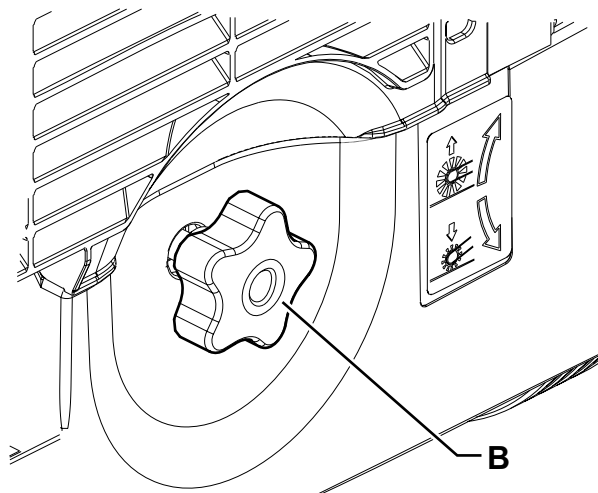


Figure 3

P100818

REPLACEMENT DU BALAI CENTRAL

**AVERTISSEMENT !**

L'utilisation de gants de travail est conseillée pendant le remplacement du balai central à cause de la présence éventuelle de débris tranchants parmi les poils.

1. Amener la machine sur un sol plat.
2. Tourner la clé de contact (2) sur «0».
3. Tourner la poignée de réglage hauteur balai central (28) dans le sens des aiguilles d'une montre jusqu'à fin de course.
4. Déposer le conteneur déchets (14).
5. Tourner la poignée de fermeture (23) et ouvrir le portillon gauche basculant (A, Fig. 4).
6. Desserrer les poignées (B) et enlever le couvercle du balai central (C) en le tournant légèrement dans le sens contraire aux aiguilles d'une montre.
7. Enlever le balai central (D) en la sortant du côté avant de la machine.
8. Vérifier que le moyeu d'entraînement (E) est propre et non obstrué par objets (cordes, chiffons, etc.) enroulés accidentellement.
9. Positionner le nouveau balai central en orientant les poils (F) comme indiqué dans la figure.
10. Insérer le nouveau balai central en l'insérant du côté avant de la machine et s'assurer que sa prise (G) s'insère dans le moyeu entraîneur spécifique (E).
11. Installer le couvercle du balai central (C) et serrer les poignées (B).
12. Fermer le portillon gauche basculant (A).
13. Régler la hauteur du balai central en procédant comme indiqué au paragraphe précédent.

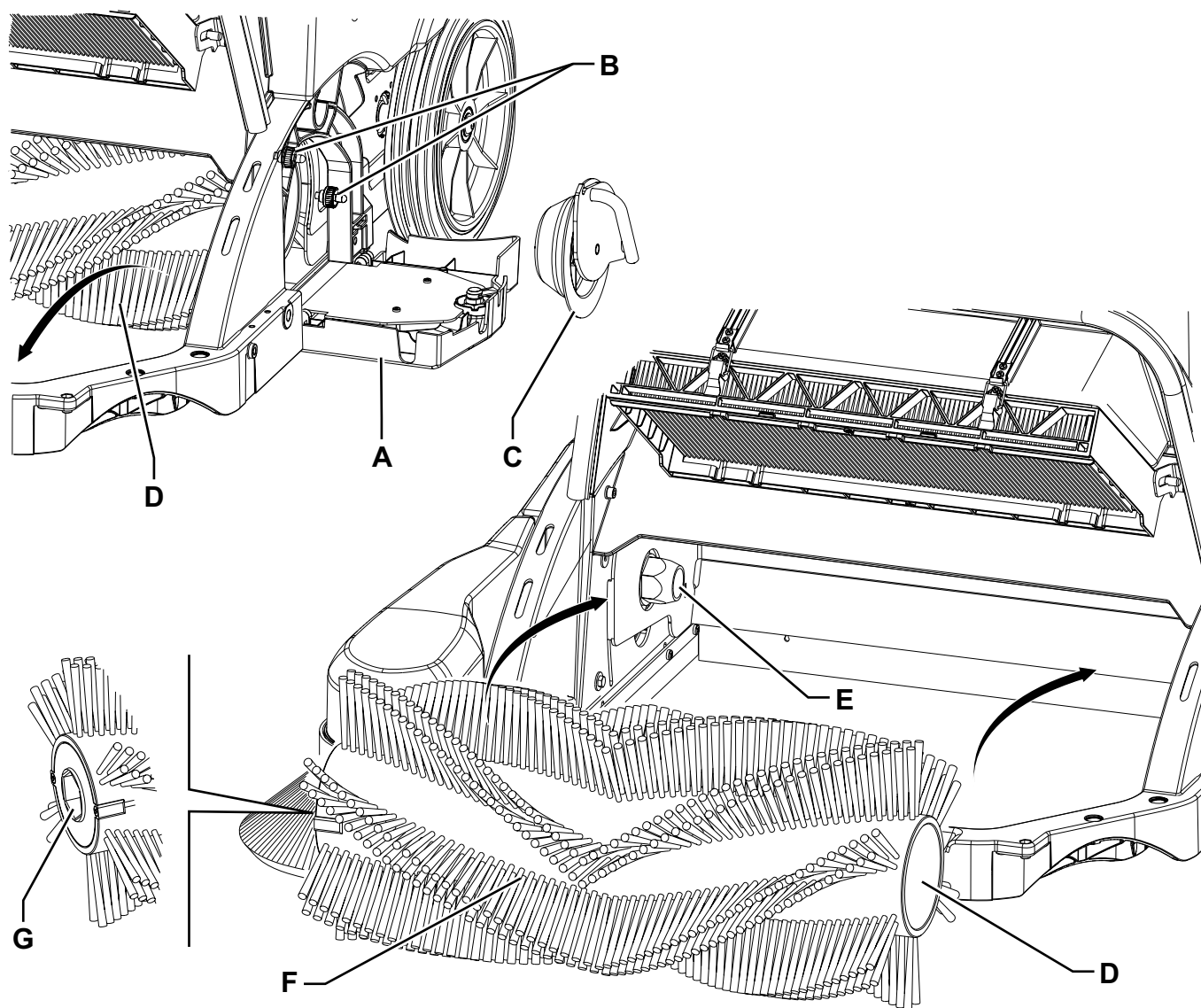


Figure 4

P100819

CONTRÔLE ET RÉGLAGE DE LA HAUTEUR DU BALAI LATÉRAL



REMARQUE

La machine est livrée avec des balais de dureté différente. La procédure ci-décrite est applicable à tous les types de balais.

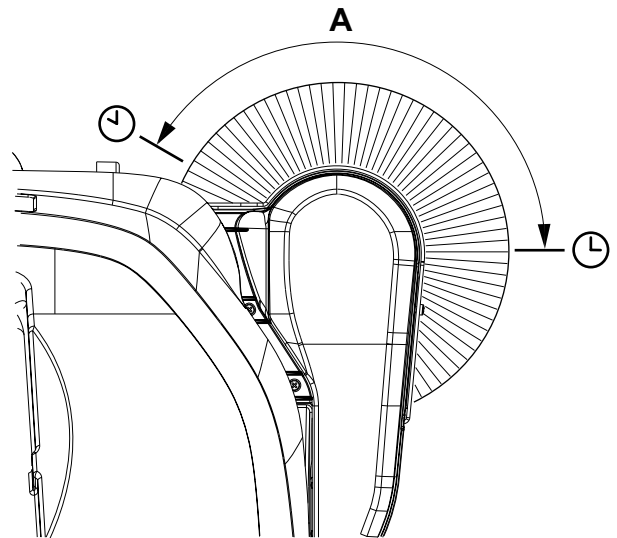


REMARQUE

La procédure ci-décrite est applicable au balai latéral droit aussi bien qu'au balai latéral gauche (optionnel).

Contrôle

1. Amener la machine sur un sol plat.
2. Tourner la clé de contact (2) sur «I».
3. Baisser le balai latéral au moyen du levier (12).
4. La hauteur du sol du balai latéral est correcte lorsque les poils touchent le sol pour un arc de cercle comme indiqué (A, Fig. 5).
Au cas où la trace (A) résulterait différente, procéder au réglage de la hauteur du balai.



P100820

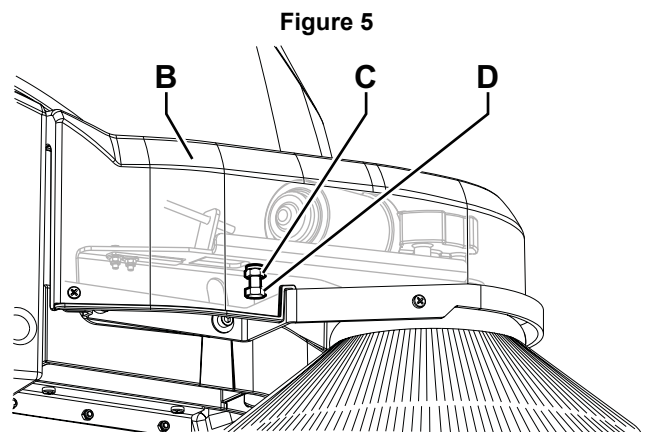
Réglage

5. Tourner la clé de contact (2) sur «0».
6. En procédant sous la couverture (B, Fig. 6) dévisser l'écrou (C) et tourner la vis (D) dans le sens des aiguilles d'une montre ou dans le sens contraire pour augmenter ou réduire la hauteur du sol du balai latéral. Enfin, bloquer la vis avec l'écrou.
7. Exécuter à nouveau le point 4 pour vérifier le réglage de la hauteur du balai latéral du sol.
8. Lorsque l'usure excessive du balai n'en permet plus le réglage, le remplacer comme prévu au paragraphe suivant.



AVERTISSEMENT !

Une trace excessive du balai latéral compromet le fonctionnement régulier de la machine et peut provoquer la surchauffe des parties en mouvement et des parties électriques, en réduisant considérablement leur durée.



P100821

Figure 6

DÉPOSE / REPOSE DU BALAI LATÉRAL



AVERTISSEMENT !

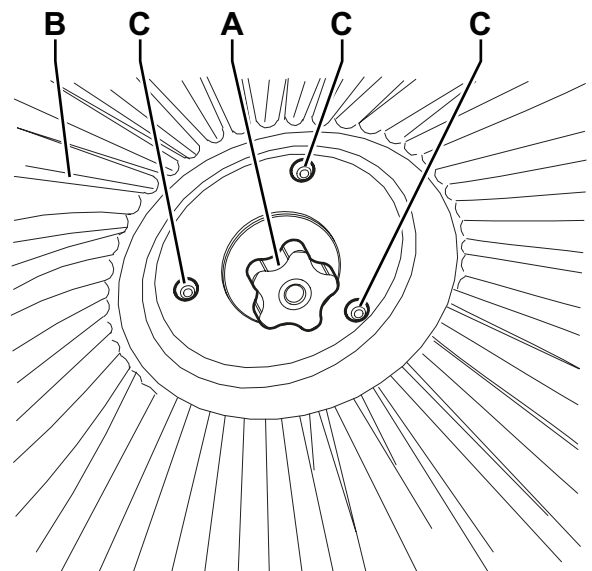
L'utilisation de gants de travail est conseillée pendant le remplacement du balai latéral à cause de la présence éventuelle de débris tranchants parmi les poils.



REMARQUE

La procédure ci-décrite est applicable au balai latéral droit aussi bien qu'au balai latéral gauche (optionnel).

1. Amener la machine sur un sol plat.
2. Tourner la clé de contact (2) sur «0».
3. Dévisser le pommeau (A, Fig. 7) dans le balai latéral, puis déposer le balai (B) en le dégageant des trois pivots (C).
4. Installer le nouveau balai dans la machine en l'engageant dans les pivots (C), puis visser la poignée (A).
5. Régler la hauteur du nouveau balai en procédant comme indiqué dans le paragraphe précédent.



P100822

Figure 7

CONTRÔLE ET RÉGLAGE DES VOILETS

1. Porter la machine sur un sol plat et adéquat en tant que plan de référence pour le contrôle de la hauteur des volets. Veiller à ce que la machine ne puisse pas bouger de façon autonome.
2. Tourner la clé de contact (2) sur «0».
3. Déposer le conteneur déchets (14).
4. Enlever le balai central (27), en procédant comme indiqué au paragraphe spécifique.

Contrôle des volets latéraux

5. Contrôler l'intégrité des volets latéraux (26). Remplacer les volets en présence de coupures (A, Fig. 8) supérieures à 20 mm ou de rupture / déchirures (B) supérieures à 10 mm (pour le remplacement des volets, se référer au manuel d'entretien).
6. Contrôler que la hauteur des volets latéraux (26) soit comme indiqué dans la figure (C) et qu'ils touchent le sol sur toute leur longueur.
7. Si besoin est, régler les volets, en procédant comme suit.

Réglage des volets latéraux

8. Enlever le portillon droit (52) pour rejoindre les écrous (D, Fig. 9).
9. Dévisser les écrous (D) et la vis (E), puis régler la hauteur du volet droit (F) en utilisant ses orifices oblongs.
10. Dévisser les vis (G) et régler la hauteur du volet de récupération droit (H) en utilisant ses orifices oblongs.
11. Dévisser les vis (I) et les écrous (J), puis régler la hauteur du volet gauche (K) en utilisant ses orifices oblongs.
12. Le réglage effectué, serrer les vis et les écrous.



REMARQUE

La procédure de réglage du volet de récupération droit (H) est applicable aussi au volet de récupération gauche (optionnel).

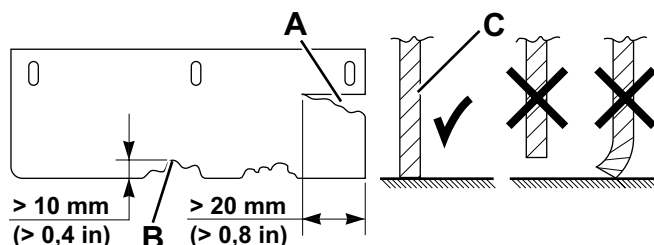
Contrôle du volet avant et contrôle / réglage du volet arrière

13. Contrôler l'intégrité du volet avant (24) sur le conteneur déchets (14).
14. Vérifier l'intégrité du volet arrière (25).
15. Remplacer les volets en présence de coupures (A, Fig. 8) supérieures à 20 mm ou de rupture / déchirures (B) supérieures à 10 mm (pour le remplacement des volets, se référer au manuel d'entretien).
16. Contrôler que la hauteur du volet arrière (25) soit comme indiqué dans la figure (C) et qu'il touche le sol sur toute sa longueur.
17. Si besoin est, dévisser les vis (L, Fig. 10) et régler la hauteur du volet (M) en utilisant ses orifices oblongs.
18. Le réglage effectué, serrer les vis (L).
19. Pour la repose, procéder dans l'ordre inverse de la dépose.



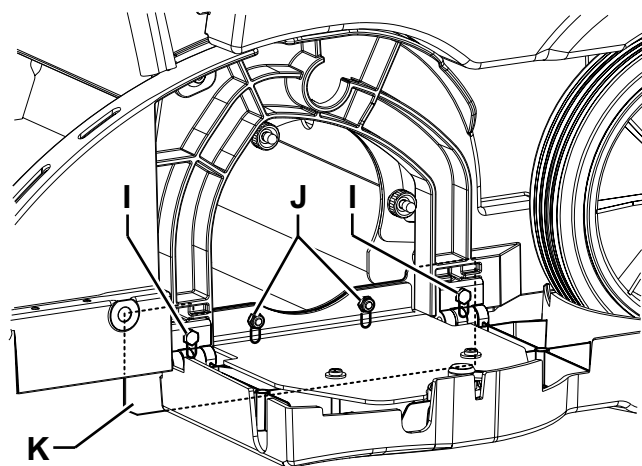
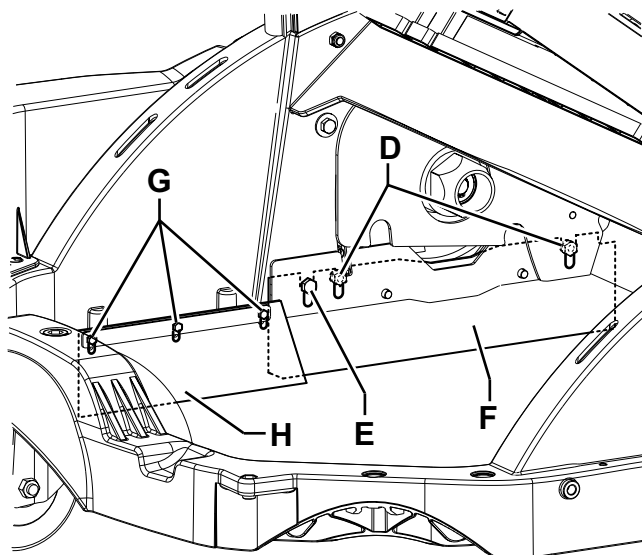
REMARQUE

Le volet avant (24) sur le conteneur déchets ne nécessite pas de réglages.



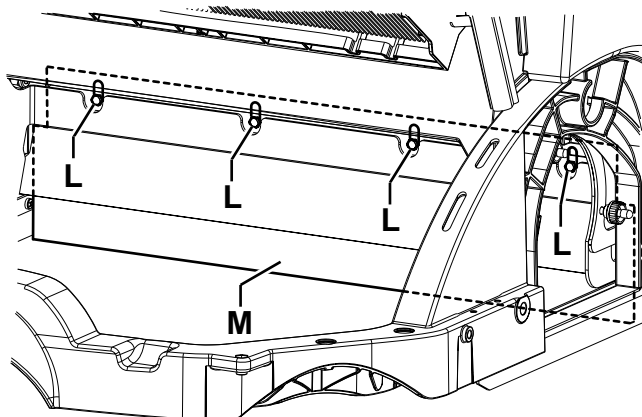
P100823

Figure 8



P100825

Figure 9



P100826

Figure 10

NETTOYAGE ET CONTRÔLE DE L'INTÉGRITÉ DU FILTRE A POUSSIÈRE

Pour garantir le bon fonctionnement du système d'aspiration, le filtre à poussière doit être nettoyé régulièrement. Pour augmenter la durée de vie du filtre, respecter les intervalles d'entretien recommandés dans ce manuel.



ATTENTION !

Porter toujours des lunettes de protection pendant le nettoyage du filtre.

Ne pas percer le filtre.

Nettoyer le filtre dans un endroit bien aéré.

Porter une masque de protection adéquate pour éviter d'inhalier la poussière.



REMARQUE

Outre le filtre en papier standard, un filtre en polyester est à disposition en tant qu'accessoire optionnel.

1. Amener la machine sur un sol plat et veiller à ce que la machine ne puisse pas bouger de façon autonome.
2. Tourner la clé de contact (2) sur «0».
3. Déposer le conteneur déchets (14).
4. Dégager les leviers (A, Fig. 11) et tourner le support (B) du filtre vers le bas.
5. Déposer le filtre à poussière (C).
6. A l'extérieur, dans un endroit approprié, nettoyer le filtre à poussière en le secouant sur une surface horizontale et propre, en battant le côté (E, Fig. 12) opposé à celui du tamis (F).
7. Compléter le nettoyage à l'aide d'un jet perpendiculaire d'air comprimé (G) de 87 psi (6 bars), en soufflant uniquement du côté du tamis (F).
En outre, respecter les indications suivantes selon le type de filtre traité :
 - Filtre en papier (standard) : ne pas le nettoyer avec de l'eau ou du détergent pour ne pas risquer de l'endommager irrémédiablement.
 - Filtre en polyester (optionnel) : pour un nettoyage plus profond, il est possible de laver le filtre avec de l'eau et, éventuellement, avec des détergents non moussants. Ce type de lavage, même s'il est meilleur du point de vue qualitatif, réduit la vie utile du filtre, lequel devra être remplacé plus souvent. L'utilisation de détergents pas adéquats peut compromettre les caractéristiques fonctionnelles du filtre.
8. Contrôler que le corps du filtre n'a pas de déchirures. Nettoyer le long du périmètre du joint (H) et contrôler que le joint est intact. Dans le cas contraire, en effectuer le remplacement du filtre.
9. Si besoin est, nettoyer le long du périmètre du joint en caoutchouc dans le logement du filtre (D, Fig. 11) et contrôler que le joint est intact. Dans le cas contraire, le remplacer.
10. Pour la repose, procéder dans l'ordre inverse de la dépose.

Nettoyage du préfiltre (optionnel)

11. Exécuter les points de 1 à 3.
12. Enlever le préfiltre (K, Fig. 13) et le nettoyer à l'aide de l'air comprimé de 87 psi (6 bars) maximum.
13. Pour la repose, procéder dans l'ordre inverse de la dépose.

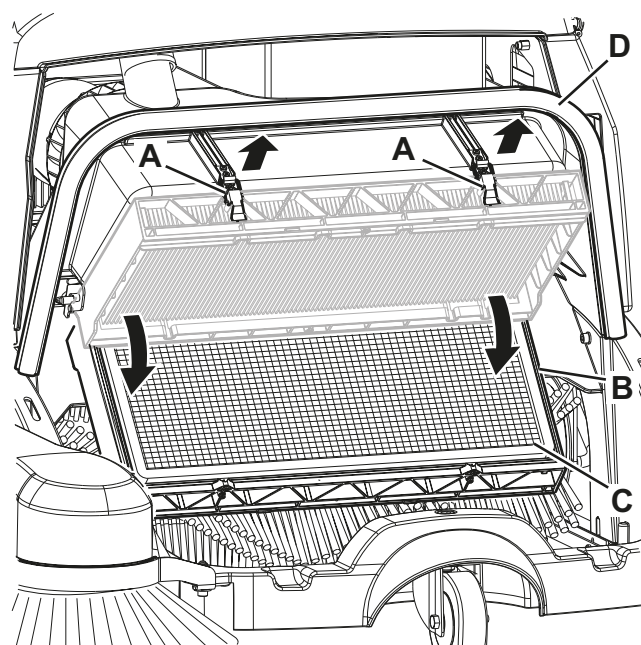


Figure 11

P100827

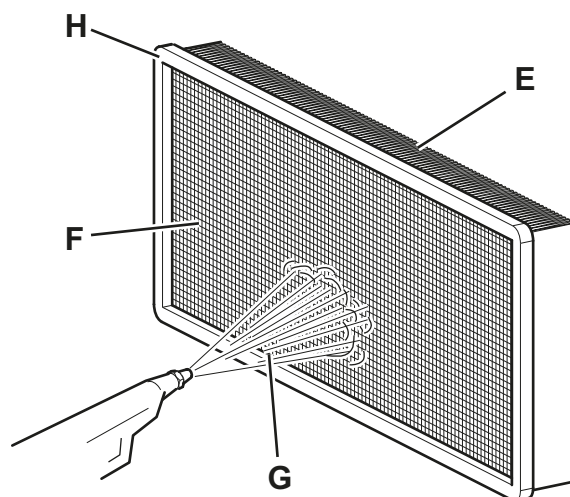


Figure 12

P100828

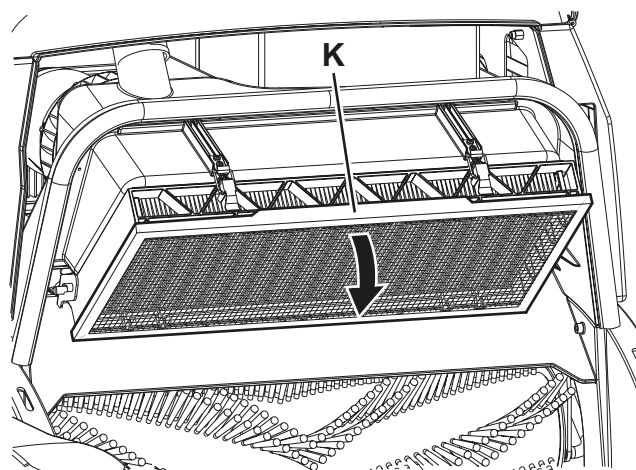


Figure 13

P100829

CONTRÔLE DE LA FONCTIONNALITÉ DU MICROINTERRUPTEUR DE POSITION CONTENEUR DÉCHETS

1. Enlever le coffre (14) avec la machine à l'arrêt.
2. Tenter de démarrer la machine en tournant la clé de contact (2) sur «I» et vérifier que le démarrage n'est pas possible. Tourner la clé de contact (2) sur «0».
3. Positionner à nouveau le conteneur déchets (14).
4. Au cas où la machine continue à fonctionner même sans le conteneur déchets (14), s'adresser immédiatement à un Service après-vente ou à un Revendeur agréé.

CONTRÔLE / RÉTABLISSEMENT / REMPLACEMENT DES FUSIBLES

1. Amener la machine sur un sol plat. Veiller à ce que la machine ne puisse pas bouger de façon autonome.
2. Tourner la clé de contact (2) sur «0».

Contrôle des fusibles restaurables

3. Contrôler si le fusible concerné parmi les suivants est déclenché :
(32) : Fusible FA (70 A) moteur principal
(33) : Fusible FB (5 A) moteur balai latéral droit
(34) : Fusible FC (5 A) moteur balai latéral gauche (optionnel)
Restaurer le fusible déclenché après le refroidissement du composant qui a provoqué le déclenchement.

Contrôle / remplacement des fusibles

4. Dégager le dispositif de retenue avant (22) et ouvrir le coffre batteries et moteur principal (21).
5. Débrancher le connecteur (36) des batteries.
6. Contrôler / remplacer le fusible concerné parmi les suivants :
(29) : Fusible F0 (125 A) batteries.
Contrôler / remplacer le fusible du chargeur de batterie (31) en procédant comme suit :
7. Ouvrir la grille arrière (51) en dévissant les vis de fixation.
8. Ouvrir la douille de fusible et contrôler / remplacer fusible en ruban F2 (30 A).

Repose

9. Brancher le connecteur (36) des batteries.
10. Fermer le coffre batteries et moteur principal (21) et engager le dispositif de retenue avant (22).
11. Fermer et serrer la grille arrière (51) à l'aide de la vis.

CONTRÔLE DU NIVEAU DE L'ÉLECTROLYTE DES BATTERIES (UNIQUEMENT POUR BATTERIES WET)

1. Dégager le dispositif de retenue avant (22) et ouvrir le coffre batteries et moteur principal (21).
2. Contrôler le niveau de l'électrolyte dans les batteries (35). Si besoin est, faire l'appoint au moyen des bouchons.
3. Fermer tous les bouchons des batteries (35).
4. Fermer le coffre batteries et moteur principal (21) et engager le dispositif de retenue avant (22).
5. Si besoin est, charger les batteries comme indiqué au paragraphe spécifique.

DÉPISTAGE DES PANNES

Problème	Cause probable	Remède
En tournant la clé de contact sur «I», les fonctions de la machine ne sont pas activées.	Connecteur des batteries débranché.	Ouvrir le coffre et brancher le connecteur des batteries.
	Conteneur déchets positionné incorrectement.	Positionner correctement le conteneur déchets.
	Fusible restaurable (FA) du moteur principal interrompu.	Attendre que le moteur principal refroidisse, puis réarmer le fusible en appuyant sur le bouton-poussoir correspondant.
	Le chargeur de batterie électronique est branché au réseau électrique.	Débrancher le chargeur de batterie électronique du réseau électrique.
	Microinterrupteur conteneur déchets en panne.	Remplacer le micro-interrupteur. (*)
Le balai latéral ne fonctionne pas.	Fusible restaurable (FB) ou (FC) (optionnel) interrompu.	Attendre que le moteur du balai latéral concerné refroidisse, puis réarmer le fusible en appuyant sur le bouton-poussoir correspondant.
	Microinterrupteur du balai latéral en panne.	Remplacer le microinterrupteur du balai latéral correspondant. (*)
La machine ne collecte pas assez les déchets / poussière.	Filtre à poussière colmaté.	Nettoyer le filtre à poussière à l'aide du secoueur ou en le démontant.
	Conteneur déchets plein.	Vider le conteneur déchets.
	Les volets ne sont pas correctement réglés ou ils sont cassés.	Régler / remplacer les volets.
	Les balais ne sont pas correctement réglés.	Régler la hauteur des balais.
	Courroie du balai central mal réglée ou usée.	Régler ou remplacer le courroie du balai central. (*)
La machine ne fonctionne qu'en état d'arrêt, mais, sous effort, elle s'éteint et le témoin lumineux rouge clignote.	Batteries déchargées.	Recharger les batteries. Au cas où le problème persiste, remplacer les batteries.
Les batteries ont une autonomie réduite.	La durée de vie des batteries est presque épuisée.	Remplacer les batteries.
	Capacité des batteries insuffisante.	Installer des batteries de capacité supérieure (voir le paragraphe Caractéristiques techniques).
En tirant le levier de traction la machine ne bouge pas ou bouge lentement.	Câble de commande traction mal réglé ou endommagé.	Régler ou remplacer le câble de commande traction. (*)
	Courroie de traction mal réglée ou usée.	Régler ou remplacer la courroie de traction. (*)

(*) Opération à effectuer auprès d'un Service après-vente Advance.



REMARQUE

La machine ne peut pas fonctionner sans chargeur de batterie. En cas de panne du chargeur de batterie, s'adresser à un Service après-vente autorisé.

Pour de plus amples informations, se référer au manuel d'entretien consultable auprès des Services après-vente Advance.

MISE À LA FERRAILLE

Effectuer la mise à la ferraille de la machine auprès d'un démolisseur autorisé.

Avant la mise à la ferraille, il est nécessaire de déposer et séparer les éléments suivants et les envoyer aux collectes sélectives, conformément aux normes d'hygiène de l'environnement en vigueur :

- Batteries
- Filtre à poussière en polyester
- Balais central et latéral
- Tuyaux et pièces en matériel plastique
- Parties électriques et électroniques (*)

(*) Pour la mise en décharge des parties électriques et électroniques, s'adresser auprès du centre Advance le plus proche.

ÍNDICE

INTRODUCCIÓN.....	2
FINALIDAD Y OBJETO DE ESTE MANUAL	2
DESTINATARIOS	2
CONSERVACIÓN DEL MANUAL	2
DATOS DE IDENTIFICACIÓN.....	2
OTROS MANUALES DE REFERENCIA	2
PIEZAS DE REPUESTO Y MANTENIMIENTO	2
MODIFICACIONES Y MEJORAS	2
CARACTERÍSTICAS DE FUNCIONAMIENTO	3
CONVENCIONES.....	3
DESEMBALAJE/ENTREGA.....	3
SEGURIDAD	3
SÍMBOLOS VISIBLES EN LA MÁQUINA	3
SÍMBOLOS QUE APARECEN EN EL MANUAL.....	4
INSTRUCCIONES GENERALES	4
DESCRIPCIÓN DE LA MÁQUINA.....	6
ESTRUCTURA DE LA MÁQUINA.....	6
ACCESORIOS/OPCIONES.....	8
DATOS TÉCNICOS	8
ESQUEMA ELÉCTRICO	9
USO.....	10
CONTROL/PREPARACIÓN DE LAS BATERÍAS EN LA MÁQUINA NUEVA	11
ANTES DE LA PUESTA EN MARCHA DE LA MÁQUINA.....	12
PUESTA EN MARCHA Y PARADA DE LA MÁQUINA	12
MÁQUINA EN FUNCIÓN	12
VACIADO DEL CAJÓN DE RESIDUOS	13
DESPUÉS DEL USO DE LA MÁQUINA	13
DESPLAZAMIENTO DE LA MÁQUINA MEDIANTE EMPUJE	13
PERIODO DE LARGA INACTIVIDAD DE LA MÁQUINA.....	13
MANTENIMIENTO	13
ESQUEMA DE MANTENIMIENTO PROGRAMADO.....	14
CONTROL DEL CABLE DEL CARGADOR DE BATERÍAS.....	14
CARGA DE LAS BATERÍAS	14
CONTROL Y AJUSTE DE LA ALTURA DEL CEPILLO PRINCIPAL	15
SUSTITUCIÓN DEL CEPILLO PRINCIPAL.....	16
CONTROL Y AJUSTE DE LA ALTURA DEL CEPILLO LATERAL.....	17
DESMONTAJE/MONTAJE DEL CEPILLO LATERAL.....	17
CONTROL Y AJUSTE DE LOS FLAPS.....	18
LIMPIEZA Y CONTROL DE LA INTEGRIDAD DEL FILTRO DE POLVOS.....	19
CONTROL DEL FUNCIONAMIENTO DEL MICROINTERRUPTOR DE POSICIÓN DEL CAJÓN DE RESIDUOS.....	20
CONTROL/REACTIVACIÓN/SUSTITUCIÓN DE LOS FUSIBLES.....	20
CONTROL DEL NIVEL DE ELECTRÓLITO DE LAS BATERÍAS (SOLO PARA BATERÍAS WET).....	20
BÚSQUEDA AVERÍAS	21
DESGUACE	22

INTRODUCCIÓN



NOTA

Los números entre paréntesis se refieren a los componentes ilustrados en el capítulo Descripción de la máquina.

FINALIDAD Y OBJETO DE ESTE MANUAL

Este manual contiene todas las informaciones necesarias para que el operador utilice la máquina de forma adecuada, autónoma y segura. Incluye informaciones inherentes a los datos técnicos, la seguridad, el funcionamiento, el período de inactividad, el mantenimiento, las piezas de repuesto y el desguace.

Antes de efectuar cualquier operación de mantenimiento, los operadores y los técnicos calificados tienen que leer cuidadosamente las instrucciones incluidas en este manual. En caso de dudas sobre la correcta interpretación de las instrucciones, consultar Advance para obtener explicaciones.

DESTINATARIOS

Este manual es para los operadores y los técnicos encargados del mantenimiento de la máquina.

Los operadores no deben efectuar procedimientos reservados a los técnicos calificados. Advance no es responsable para los daños causados a la máquina por falta de observación de esta prohibición.

CONSERVACIÓN DEL MANUAL

Este Manual des instrucciones de uso debe conservarse junto a la máquina, dentro de su contenedor, lejos de líquidos y otras sustancias que podrían dañarlo.

DATOS DE IDENTIFICACIÓN

El número de serie y el modelo de la máquina están marcados en la placa (47).

En la misma placa se indican también el código de producto y el año de fabricación.

Esta información es necesaria cuando se pidan piezas de repuesto para la máquina. Usar el espacio siguiente para escribir los datos de identificación de la máquina.

Modelo MÁQUINA
Código del PRODUCTO
Número de serie MÁQUINA

OTROS MANUALES DE REFERENCIA

- Manual del cargador de baterías electrónico (que debe considerarse parte integrante de este manual)
- Catálogo piezas de repuestos (en dotación a la máquina)

Los siguientes manuales son también disponibles:

- Manual de asistencia (que se puede consultar en los Centros de asistencia Advance)

PIEZAS DE REPUESTO Y MANTENIMIENTO

Para cualquier necesidad que se refiere al uso, al mantenimiento y a las reparaciones, consultar al personal calificado o a los Centros de asistencia Advance. Se recomienda utilizar sólo piezas de repuesto y accesorios originales.

Para la asistencia o para ordenar piezas de repuesto o accesorios, acudir a Advance, especificando siempre el modelo, el código del producto y el número de serie de la máquina.

MODIFICACIONES Y MEJORAS

Advance está constantemente mejorando sus productos y se reserva el derecho de realizar modificaciones y mejoras a su discreción, sin verse obligada a aplicar dichas ventajas a las máquinas vendidas previamente.

Sólo Advance puede aprobar y efectuar cualquier modificación y/o instalación de accesorios.

CARACTERÍSTICAS DE FUNCIONAMIENTO

Esta barredera es adecuada para limpiar (barrer y aspirar) suelos lisos y sólidos y para aspirar polvo y residuos ligeros, en ambiente privado o industrial sobre, en condiciones de seguridad, por parte de un operador calificado.

CONVENCIONES

Las indicaciones de adelante, atrás, delantero, trasero, derecho e izquierdo en este manual se refieren al operador en posición de conducción con las manos sobre el manillar (10).

DESEMBALAJE/ENTREGA



¡ADVERTENCIA!

Para desembalar la máquina seguir cuidadosamente las instrucciones colocadas sobre el embalaje.

Al momento de la entrega, controlar atentamente el embalaje y la máquina por si hayan sufrido daños durante el transporte. Si los daños son evidentes, conservar el embalaje, de forma que el transportista que lo ha entregado lo pueda inspeccionar. Contactarlo de inmediato para compilar una indemnización daños y perjuicios.

Controlar que la máquina sea entregada junto a los siguientes componentes:

- Documentación técnica:
 - Manual des instrucciones de uso de la barredera (este documento)
 - Manual del cargador de baterías electrónico
 - Catálogo de piezas de repuesto de la barredera
- N. 1 fusible de 5 A

SEGURIDAD

La siguiente simbología sirve para señalar situaciones de peligro potencial. Leer siempre cuidadosamente estas informaciones y tomar las precauciones necesarias para proteger personas y cosas.

Para evitar desgracias, la cooperación del operador es fundamental. Ningún programa de prevención de accidentes resulta eficaz sin la total cooperación de la persona directamente responsable del funcionamiento de la máquina. La mayoría de los accidentes que pueden ocurrir en una empresa, durante el trabajo o los traslados, son causados por no observar las reglas de seguridad fundamentales. Un operador cuidadoso y cauto es la mejor garantía para evitar posibles accidentes y resulta más eficaz que cualquier programa de prevención.

SÍMBOLOS VISIBLES EN LA MÁQUINA



¡ATENCIÓN!

Leer con cuidado todas las instrucciones antes de efectuar cualquier operación en la máquina.



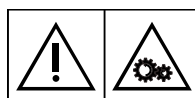
¡ATENCIÓN!

No lavar la máquina con chorros de agua directa o presurizada.



¡ATENCIÓN!

No utilizar la máquina sobre rampas o inclinaciones superiores a las especificaciones.



¡ATENCIÓN!

Piezas en movimiento.

SÍMBOLOS QUE APARECEN EN EL MANUAL



¡PELIGRO!
Indica un peligro con riesgo, incluso mortal, para el operador.



NOTA
Indica una nota sobre una función importante o útil.



¡ATENCIÓN!
Indica el riesgo potencial de infortunios para las personas o de daños a las cosas.



CONSULTAS
Indica la necesidad de consultar el Manual de instrucciones de uso antes de efectuar cualquier operación.



¡ADVERTENCIA!
Indica una advertencia o una nota sobre una función importante o útil. Tener cuidado de las partes del texto marcadas con este símbolo.

INSTRUCCIONES GENERALES

Se describen aquí las advertencias y precauciones específicas por lo que se refiere a los potenciales riesgos de daños a la máquina o a las personas.



- ¡PELIGRO!**
- Antes de efectuar cualquier operación de limpieza, mantenimiento o sustitución de piezas quitar la llave de encendido de la máquina.
 - Sólo los operadores cualificados pueden usar esta máquina.
 - Quitarse las joyas cuando se trabaja cerca de los componentes eléctricos.
 - No trabajar bajo la máquina levantada si ésta no está fijada con los soportes de seguridad adecuados.
 - No activar la máquina en un ambiente donde haya polvo, líquidos o vapores nocivos, peligrosos, inflamables y/o explosivos: esta máquina no es adecuada para recoger polvos peligrosos.
 - Tener chispas, llamas y materiales fumantes/incandescentes lejos de las baterías. Gases explosivos sobresalen durante la carga de las baterías.
 - Si se usan baterías de plomo (WET), cargando las baterías se produce gas hidrógeno muy explosivo. Efectuar la carga solo en áreas muy bien ventiladas y lejos de llamas libres.
 - Si la máquina está equipada de baterías de plomo (WET), no inclinar la máquina de más de 30° respecto a la línea horizontal, porque el líquido muy corrosivo de las baterías podría sobresalir. Si es necesario inclinar la máquina para las operaciones de mantenimiento, primero quitar las baterías.



- ¡ATENCIÓN!**
- Antes de efectuar cualquier operación de mantenimiento/repación, leer cuidadosamente todas las instrucciones relacionadas.
 - Antes de usar el cargador de baterías, asegurarse de que la frecuencia y la tensión indicadas en la placa del número de serie de la máquina coincidan con la tensión de la red.
 - No tirar o transportar la máquina por el cable del cargador de baterías; no usar el cable como empuñadura. No cerrar el cable del cargador de baterías en una puerta o tirarlo sobre bordes o ángulos afilados. No atropellar el cable del cargador de baterías con la máquina.
 - Tener el cable del cargador de baterías lejos de superficies calientes.
 - No usar la máquina si el cable del cargador de baterías y el enchufe están dañados. Si la máquina no funciona correctamente, está dañada, quedada al exterior o bañada, llevarla a un Centro de asistencia.
 - Antes de efectuar las operaciones de mantenimiento, para reducir el riesgo de incendio, electrochoque o lesiones, desconectar el cable del cargador de baterías de la red eléctrica.

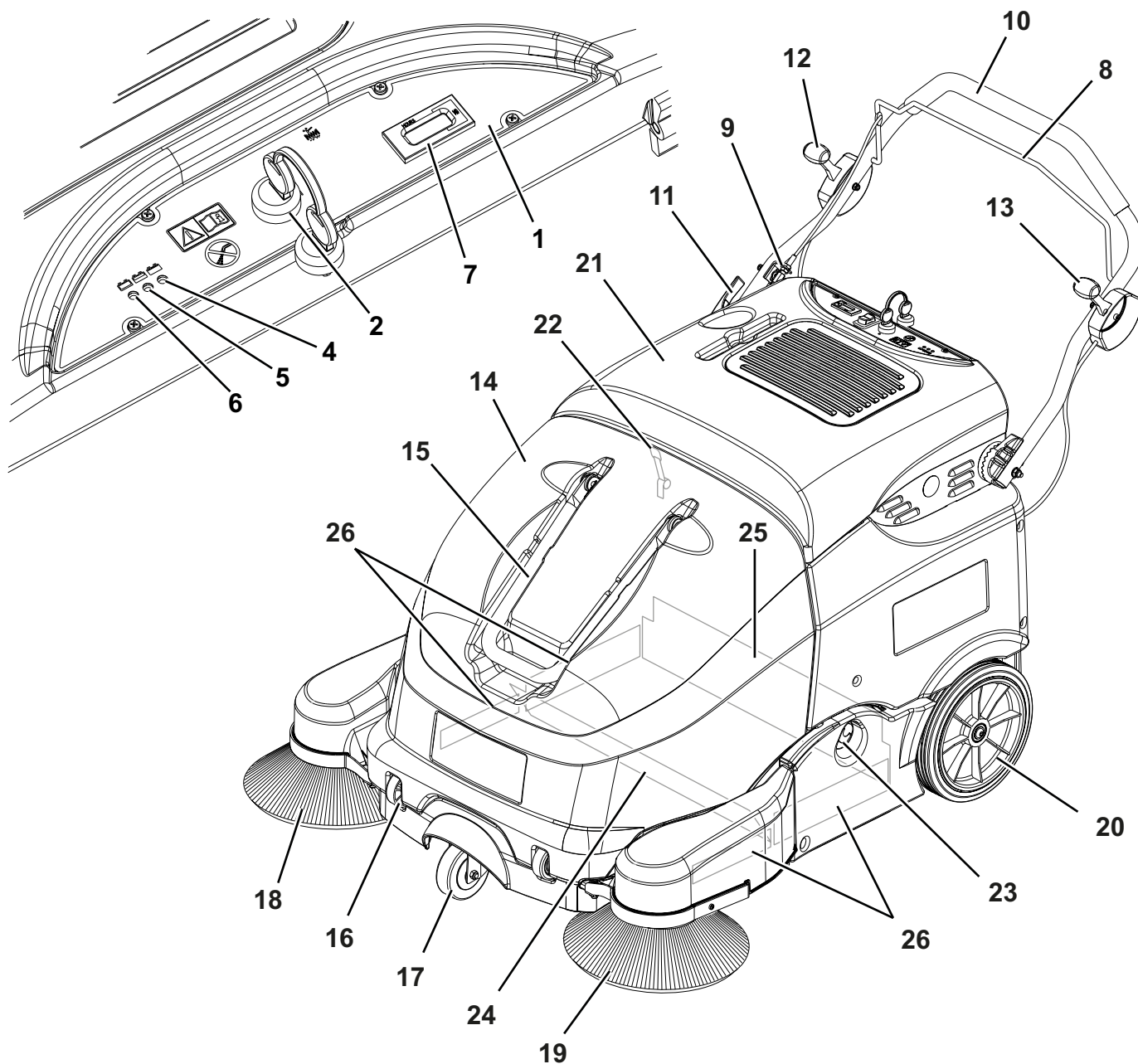
**¡ATENCIÓN!**

- *No fumar cuando se cargan las baterías.*
- *El aparato no está diseñado para que lo usen personas (incluidos los niños) con reducidas capacidades físicas, mentales o sensoriales o con experiencia y/o competencias insuficientes, a no ser que lo utilicen bajo la supervisión de una persona responsable de su seguridad o que ésta les enseñe a usarlo. Los niños deben ser supervisados para asegurarse de que no jueguen con el aparato.*
- *Tener mucho cuidado cuando se utiliza cerca de niños.*
- *No usar con finalidades diferentes de aquellas indicadas en este manual. Usar sólo accesorios recomendados por Advance.*
- *Controlar cuidadosamente la máquina antes de usarla, comprobar siempre que todas las partes estén instaladas. Usar una máquina que no esté perfectamente montada podría causar daños a personas y equipamientos.*
- *Tomar todas las precauciones necesarias para que el pelo, las joyas y las ropas no sean capturados por las partes móviles de la máquina.*
- *Para evitar usos no autorizados de la máquina, quitar la llave de encendido.*
- *No dejar la máquina sin custodia y sin haberse asegurado que no pueda moverse de forma autónoma.*
- *No usar la máquina en superficies inclinadas.*
- *No inclinar la máquina con un ángulo superior al valor indicado en la máquina misma, para no perjudicar la estabilidad.*
- *Usar sólo los cepillos suministrados junto a la máquina o aquellos indicados en el Manual de instrucciones de uso. Usar otros cepillos puede perjudicar la seguridad.*
- *Antes de usar la máquina, cerrar todas las portillos y/o las tapas como indicado en el Manual de instrucciones de uso.*
- *No lavar la máquina con chorros de agua directa o presurizada, o con sustancias corrosivas.*
- *Usar la máquina sólo en áreas con suficiente iluminación.*
- *Cuando se utiliza esta máquina, tener cuidado de salvaguardar la incolumidad de personas y cosas.*
- *No chocar contra estanterías o andamios de los que puedan caer objetos.*
- *No apoyar contenedores de líquidos sobre la máquina, usar el portaobjetos.*
- *La temperatura de almacenamiento de la máquina debe estar entre los 32°F y 104°F (0°C y +40°C).*
- *La temperatura de la máquina en trabajo debe estar entre los 32°F y 104°F (0°C y +40°C).*
- *La humedad debe estar entre el 30% y el 95%.*
- *Proteger siempre la máquina de la lluvia y otra intemperie, tanto durante el funcionamiento como durante los períodos de inactividad. Almacenar la máquina en un lugar cerrado y seco: esta máquina sólo se puede usar en seco y no se debe usar o tener al exterior en condiciones de humedad.*
- *No usar la máquina como vehículo de transporte o de remolque/empuje.*
- *No permitir que los cepillos funcionen mientras la máquina está parada en un punto para evitar posibles daños al suelo.*
- *La capacidad máxima de la máquina es de 66 lb (30 kg) (el peso máximo de los residuos).*
- *En caso de incendio usar un extintor de polvo, no de agua.*
- *Esta máquina no tiene aprobación para el uso en carreteras o vías públicas.*
- *No adulterar por ninguna razón las protecciones de la máquina.*
- *Atenerse escrupulosamente las instrucciones para el mantenimiento ordinario.*
- *No dejar que material extraño entre en las aperturas. No usar la máquina en el caso de que las aperturas sean obstruidas. Las aperturas deben mantenerse libre de polvo, hilacha, pelos y cualquier otro elemento extraño que pueda reducir el flujo de aire.*
- *No quitar ni modificar las placas colocadas en la máquina.*
- *Cuando la máquina no funciona correctamente, asegurarse de que esto no sea causado por falta de mantenimiento. En caso contrario, pedir la intervención del personal autorizado o del Centro de asistencia autorizado.*
- *Si deben sustituirse piezas, solicitar piezas de repuesto ORIGINALES a un concesionario y/o revendedor autorizado.*
- *Para asegurar condiciones de funcionamiento correcto y seguro, el personal autorizado o el Centro de asistencia autorizado debe llevar a cabo el mantenimiento programado según las especificaciones indicadas en el capítulo relacionado de este manual.*
- *Nunca se debe abandonar la máquina al final de su ciclo vital, por la presencia de materiales tóxicos y dañinos (baterías, aceites, etc.) sujetos a normativas que exigen que se realice la eliminación en centros especiales (véase el capítulo Desguace).*

DESCRIPCIÓN DE LA MÁQUINA

ESTRUCTURA DE LA MÁQUINA

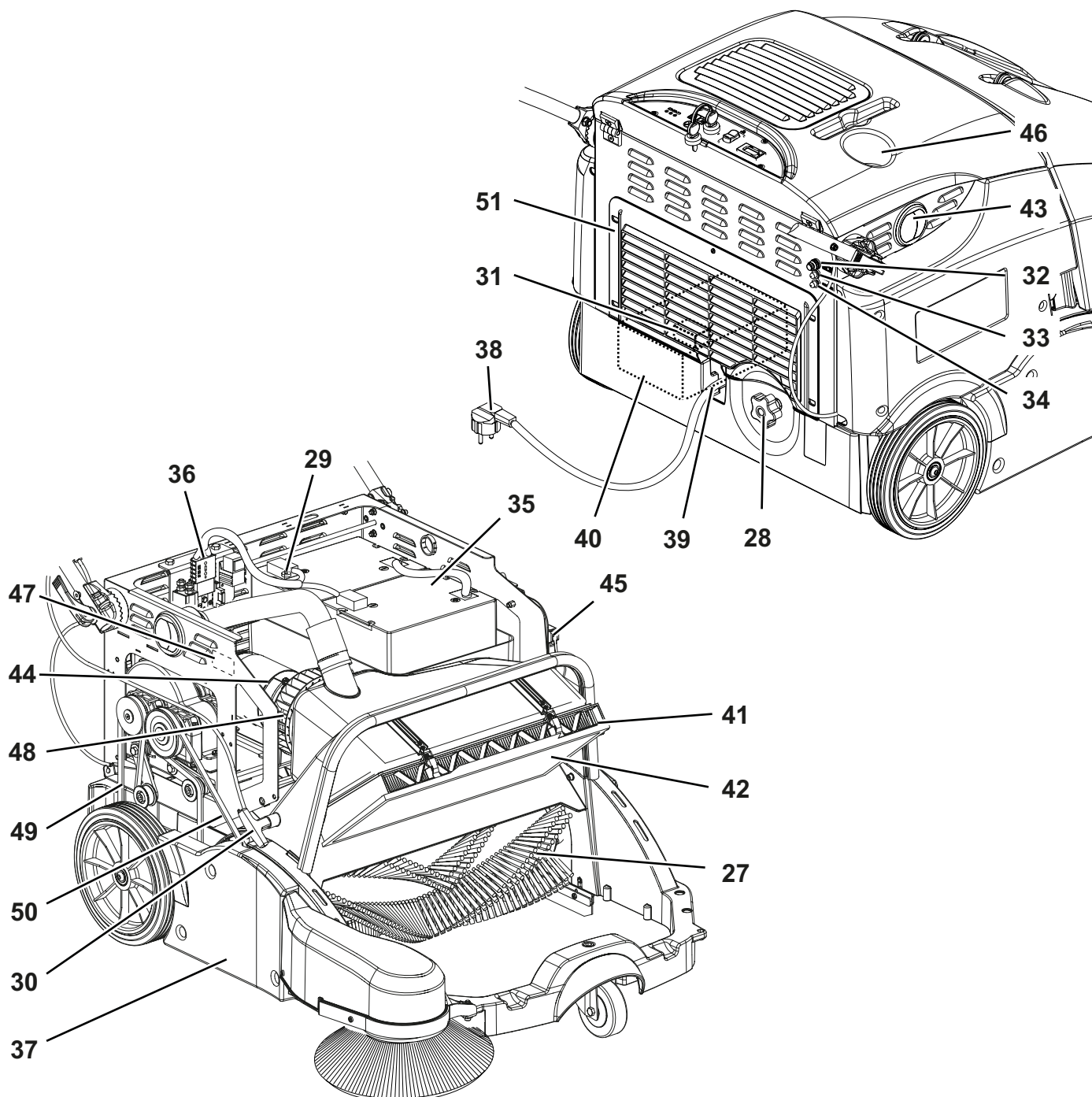
- | | |
|--|---|
| <ol style="list-style-type: none"> 1. Tablero de control 2. Llave de encendido: <ul style="list-style-type: none"> • Posición "0": máquina apagada y todas las funciones deshabilitadas • Posición "I": máquina encendida y funciones habilitadas 4. Led de señalización baterías cargadas (verde) 5. Led de señalización baterías casi descargadas (amarillo) 6. Led de señalización baterías descargadas (rojo) 7. Cuentahoras 8. Palanca de mando de la tracción 9. Regulador de mando de la tracción 10. Manillar 11. Palanca para el ajuste de la inclinación del manillar 12. Palanca de subida/bajada del cepillo lateral derecho | <ol style="list-style-type: none"> 13. Palanca de subida/bajada del cepillo lateral izquierdo (opcional) 14. Cajón de residuos 15. Manija de transporte del cajón de residuos 16. Ruedas del cajón de residuos 17. Rueda delantera giratoria 18. Cepillo lateral derecho 19. Cepillo lateral izquierdo (opcional) 20. Ruedas traseras de tracción 21. Capó de las baterías y motor principal 22. Retén delantero de cierre del capó 23. Perilla de apertura/cierre del portillo izquierdo 24. Flap delantero 25. Flap trasero 26. Flaps laterales |
|--|---|



P100813A

ESTRUCTURA DE LA MÁQUINA (Sigue)

- | | |
|---|---|
| 27. Cepillo principal | 39. Alojamiento del cable del cargador de baterías |
| 28. Empuñadura de ajuste de la altura del cepillo principal | 40. Cargador de baterías electrónico |
| 29. Fusible baterías | 41. Filtro de polvos |
| 30. Manija de activación del sacudidor del filtro manual | 42. Prefiltro (opcional) |
| 31. Fusible cargador de baterías | 43. Boca "wet by-pass" |
| 32. Fusible reseteable del motor principal | 44. Motor principal |
| 33. Fusible reseteable del motor del cepillo lateral derecho | 45. Microinterruptor de posición del cajón de residuos |
| 34. Fusible reseteable del motor del cepillo lateral izquierdo (opcional) | 46. Portaobjetos |
| 35. Baterías | 47. Placa del número de serie/datos técnicos/marcación de conformidad |
| 36. Conector de las baterías | 48. Ventilador de aspiración |
| 37. Portillo derecho | 49. Correa de tracción |
| 38. Cable del cargador de baterías | 50. Correa cepillo principal |
| | 51. Rejilla trasera |



P100814A

ACCESORIOS/OPCIONES

Además de los componentes instalados en la versión estándar, la máquina puede equiparse con los siguientes accesorios/ opciones, según el uso específico:

- Cepillo lateral izquierdo
- Cepillos principal y laterales con cerdas más o menos duras con respeto al estándar
- Filtro de polvos de poliéster
- Prefiltro
- Flap antihuella

Para informaciones suplementarias sobre estos accesorios opcionales, acudir al Revendedor autorizado.

DATOS TÉCNICOS

Modelo		SW900 B
Anchura de barrido	con un cepillo lateral	32.5 in (825 mm)
	con dos cepillos laterales	41.3 in (1.050 mm)
Dimensiones del cepillo principal (largura x diámetro)		23.6 x 10.4 in (600 x 265 mm)
Diámetro del cepillo lateral		12.4 in (315 mm)
Capacidad teórica de trabajo	con un cepillo lateral	39,987 ft ² /h (3,715 m ² /h)
	con dos cepillos laterales	50,859 ft ² /h (4,725 m ² /h)
Cajón de residuos	capacidad	2.1 ft ³ (60 litros)
	peso máximo transportable	66 lb (30 kg)
Filtro	sistema de limpieza	Sacudidor del filtro manual
	área	20,5 ft ² (1,9 m ²)
	capacidad de filtración	5-10 µm
Alimentación		Baterías de plomo para uso cíclico / tracción 12V (100 - 200 Ah C5)
Motor principal	potencia (tracción/cepillo principal/aspiración)	0.9 hp (680 W)
Cepillo principal	velocidad	420 rpm
Cepillo lateral	potencia del motor	0.05 hp (40 W)
	velocidad	100 rpm
Tracción	velocidad en marcha adelante	2.8 mi/h (4,5 km/h)
Inclinación máxima durante el trabajo		2 %
Potencia total absorbida		67 A (0.8 kW)
Autonomía de trabajo		3 h
Dimensiones (largura x anchura x altura)	máquina en función	54.7 x 34.2 x 43.3 in (1.390 x 870 x 1.100 mm)
	máquina con manillar plegado	41.3 x 34.2 x 33 in (1.050 x 870 x 840 mm)
	máquina con dos cepillos laterales	54.7 x 37.4 x 43.3 in (1.390 x 950 x 1.100 mm)
	compartimiento de las baterías	12.9 x 9 x 15 in (327 x 230 x 380 mm)
Peso	en vacío sin baterías	181 lb (82 Kg)
	total en orden de marcha (*)	315 lb (143 Kg)
	total en orden de marcha (GVW)	388 lb (176 Kg)
Presión específica en el suelo de la ruedas (delantera - traseras, en orden de marcha)		301 - 72 psi (2.1 - 0.5 N/mm ²)
Presión acústica a la oreja del operador (ISO 11201, ISO 4871, EN 60335-2-72) (LpA)		70 ± 3 dB(A)
Potencia acústica emitida por la máquina (ISO 3744, ISO 4871, EN 60335-2-72) (LwA)		84 dB(A)
Clase de protección IP		X3
Espacio de virada, vuelta en U		61 in (1,550 mm)
Nivel de vibraciones al brazo del operador (ISO 5349-1) (**)		< 98 in/s ² (< 2,5 m/s ²)

(*) Con baterías y cajón de residuos vacío.

(**) En condiciones de trabajo normal sobre un suelo llano de asfalto.

Composición de material de la máquina y reciclabilidad

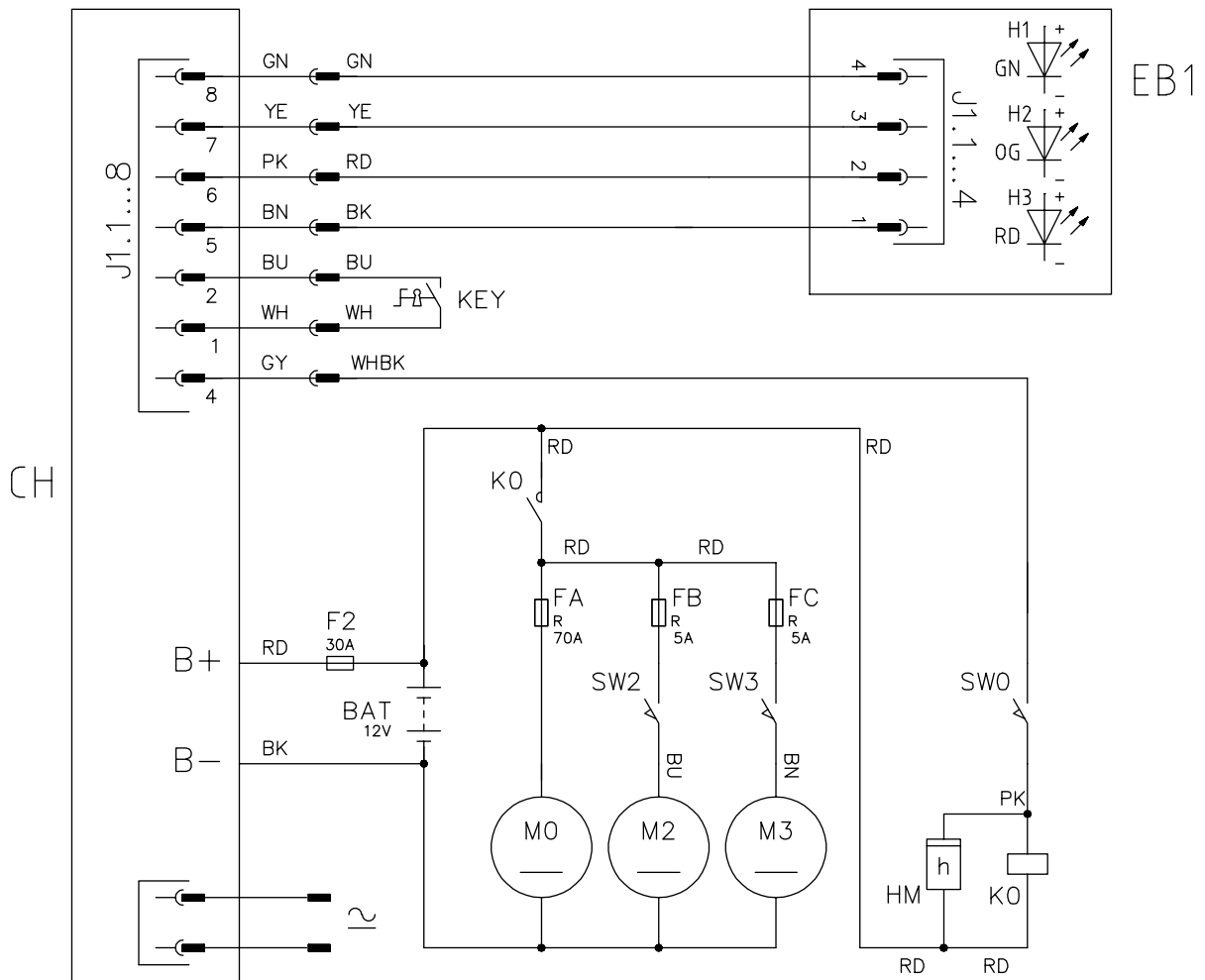
Tipo	% reciclable	% de peso de la SW900 B
Aluminio	100 %	2,4 %
Motores eléctricos - misc.	29 %	11,8 %
Materiales ferrosos	100 %	39,4 %
Cableados	80 %	1,8 %
Líquidos	100 %	0,0 %
Plástico - no reciclable	0 %	9,4 %
Plástico - reciclable	100 %	27,1 %
Polietileno	92 %	5,9 %
Caucho	20 %	2,4 %
Cartón - papel - madera	100 %	28,6 %

ESQUEMA ELÉCTRICO**Leyenda**

BAT	Baterías 12 V
CH	Cargador de baterías
EB1	Tarjeta electrónica led
F2	Fusible del cargador de baterías (30 A)
FA	Fusible reseteable del motor principal (70 A)
FB	Fusible reseteable del cepillo lateral derecho (5 A)
FC	Fusible reseteable del cepillo lateral izquierdo (5 A) (opcional)
HM	Cuentahoras
K0	Telerruptor del motor principal
KEY	Llave de encendido
M0	Motor principal
M2	Motor del cepillo lateral derecho
M3	Motor del cepillo lateral izquierdo (opcional)
SW0	Microinterruptor cajón de residuos
SW2	Microinterruptor cepillo lateral derecho
SW3	Microinterruptor cepillo lateral izquierdo (opcional)

Códigos color

BK	Negro
BU	Azul
BN	Marrón
GN	Verde
GY	Gris
OG	Anaranjado
PK	Rosado
RD	Rojo
VT	Morado
WH	Blanco
YE	Amarillo



P100815A

USO



¡ATENCIÓN!

En unas partes de la máquina hay unas placas adhesivas que indican:

- PELIGRO
- ATENCIÓN
- ADVERTENCIA
- CONSULTAS

Leyendo este manual, el operador tiene que aprender el sentido de los símbolos indicados en las placas (véase párrafo Símbolos visibles en la máquina).

Por ninguna razón estas placas deben cubrirse y si están dañadas tienen que sustituirse de inmediato.

CONTROL/PREPARACIÓN DE LAS BATERÍAS EN LA MÁQUINA NUEVA



¡ATENCIÓN!

Si no se instalan correctamente las baterías, los componentes eléctricos de la máquina podrían dañarse. Sólo el personal calificado puede efectuar la instalación de las baterías.

Según el tipo de baterías instalado (WET o GEL-AGM), regular el cargador de baterías de la máquina.

Antes de la instalación, controlar si las baterías están dañadas.

Desconectar el conector de las baterías o la clavija del cargador de baterías.

Desplazar las baterías con mucho cuidado.

Instalar las tapas de protección de los bornes de las baterías, en dotación a la máquina.

La máquina necesita una batería de 12 V o dos baterías de 6 V conectadas según el esquema de la Figura 1.

La máquina puede ser entregada con las siguientes configuraciones:

- Baterías (WET o GEL) instaladas en la máquina, listas para ser utilizadas
- Sin baterías

Según el tipo de configuración, efectuar los procedimientos siguientes.

a) Baterías (WET o GEL-AGM) instaladas en la máquina, listas para ser utilizadas

- Desenganchar el retén delantero (22) y abrir el capó de las baterías y del motor principal (21), luego controlar que las baterías estén conectadas a la máquina con el conector (36).
- Cerrar el capó de las baterías y del motor principal (21) y enganchar el retén delantero (22).
- Colocar la llave de encendido (2) en el tablero de control y llevarla en posición "I" sin tirar de la palanca de mando de la tracción (8).

Si el led verde (4) se enciende, las baterías están cargadas y pueden usarse.

Si se enciende el led amarillo (5) o rojo (6) es necesario cargar las baterías (véase el capítulo Mantenimiento).

b) Sin baterías

- Comprar unas baterías adecuadas [véase párrafo Datos técnicos y el esquema en la Figura 1].
Para la elección y la instalación, acudir a un revendedor calificado.
- Desenganchar el retén delantero (22) y abrir el capó de las baterías y del motor principal (21).
- Controlar que el conector de las baterías (36) esté desconectado.



¡ATENCIÓN!

Las baterías instaladas podrían necesitar un algoritmo de carga específica: acudir siempre a un centro cualificado Advance para establecer el algoritmo de carga más adecuado para la batería comprada.

- Con cuidado, levantar las baterías hasta el compartimiento relacionado, luego colocarlas correctamente como indicado en la Figura 1.
- Colocar e instalar los cables de las baterías como indicado en los esquemas de la Figura 1, luego apretar con cuidado la tuerca en cada borne de las baterías.
- Colocar la tapa de protección sobre cada borne, luego conectar el conector de las baterías (36).
- Cerrar el capó de las baterías y del motor principal (21) y enganchar el retén delantero (22).
- Cargar las baterías (véase el capítulo Mantenimiento).

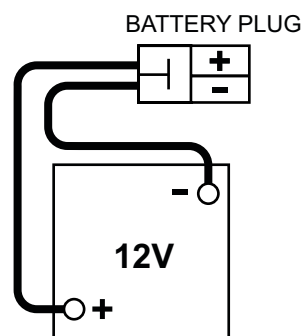
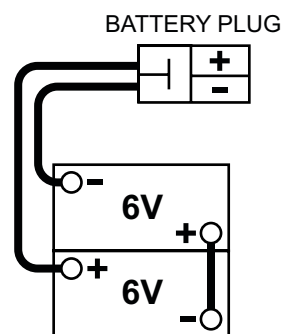


Figura 1

P100816

ANTES DE LA PUESTA EN MARCHA DE LA MÁQUINA

1. Comprobar que no hay portillos/capós abiertos y que la máquina funcione normalmente.
2. Si no se ha todavía usado la máquina después de la entrega, comprobar que todos los sistemas de bloqueo usados para el transporte se hayan quitados.
3. Controlar que los cepillos lateral y principal estén ya montados, de lo contrario montarlos (véase el capítulo Mantenimiento).
4. Ajustar la inclinación del manillar (10) según las propias necesidades usando la palanca (11).
Una vez efectuado el ajuste, cerrar la palanca.

PUESTA EN MARCHA Y PARADA DE LA MÁQUINA

Puesta en marcha de la máquina

1. Colocar la llave de encendido (2) en el tablero de control y llevarla en posición "I" sin tirar de la palanca de mando de la tracción (8).
Durante los primeros 3 segundos, los parpadeos de los leds de señalización de las baterías (4, 5 e 6) indican el tipo de baterías instalado. Luego, si la carga de las baterías es suficiente, el motor principal (44) pone en marcha el cepillo principal (27) y el ventilador de aspiración (48).
Si el led verde (4) se enciende, las baterías están cargadas y pueden usarse.
Si se enciende el led amarillo (5) o rojo (6) es necesario cargar las baterías (véase el capítulo Mantenimiento).



¡ATENCIÓN!

El motor no puede ponerse en marcha cuando el cajón de residuos (14) no está en su posición. Un sistema de seguridad impide que se ponga en marcha.

2. Bajar los cepillos laterales (18) y (19, opcional), tirando las palancas (12) y (13, opcional) hacia atrás.



NOTA

Los cepillos laterales se activan cuando se bajan, y pueden bajarse o levantarse aun si la máquina se mueve.

3. Empezar a barrer empuñando el manillar (10) y tirando progresivamente la palanca de mando de la tracción (8).

Parada de la máquina

1. Para parar la máquina es suficiente soltar completamente la palanca de mando de la tracción (8).
2. Para parar los cepillos laterales (18) y (19, opcional), tirar las palancas (12) y (13, opcional) hacia adelante.
3. Para parar el cepillo principal (27) y el ventilador de aspiración (48), llevar la llave de encendido (2) en posición "0".
4. Asegurarse de que la máquina no pueda moverse de forma autónoma.

MÁQUINA EN FUNCIÓN

1. Llevar la máquina a la zona de trabajo como indicado en el párrafo anterior.
2. Evitar que los cepillos sigan funcionando durante demasiado tiempo mientras que la máquina está parada en un punto: la máquina podría dejar signos en el suelo.
3. Para que la máquina funcione correctamente es necesario que el filtro de polvos (41) sea lo más limpio posible. Para limpiarlo, parar la máquina y usar la manija (30) para activar el sacudidor del filtro manual.



NOTA

Sacudir el filtro en media cada 10 minutos durante el trabajo. Variar el intervalo según la cantidad de polvo presente en el ambiente que se debe limpiar.



NOTA

Cuando el filtro está obstruido y/o el cajón de residuos (14) está lleno, la máquina no puede más recoger polvo y residuos.

4. Cuando se debe usar la máquina sobre suelos mojados, abrir la boca "wet by-pass" (43) para evitar que el filtro de polvos se dañe.
Cuando se vuelva a trabajar sobre un suelo seco, cerrar la boca "wet by-pass" (43) para reactivar la correcta aspiración.
5. Al final del trabajo y cada vez que el cajón de residuos (14) está lleno, vaciarlo.



NOTA

Cuando el cajón de residuos está lleno, la máquina no puede más recoger polvo y residuos.

VACIADO DEL CAJÓN DE RESIDUOS

1. Parar la máquina y girar la llave de encendido (2) en posición "0".
2. Quitar el cajón de residuos (14) usando la manija de transporte (15) y las ruedas (16) para llevarlo en el lugar de recogida de la basura y luego vaciarlo.
3. Instalar el cajón de residuos en la máquina.
4. La máquina está lista para empezar de nuevo a barrer.



NOTA

Cuando el cajón de residuos está quitado, todas las funciones de la máquina están inhibidas.

DESPUÉS DEL USO DE LA MÁQUINA

Al final del trabajo, antes de alejarse de la máquina:

- Activar el sacudidor del filtro manual con la manija (30).
- Girar la llave de encendido (2) en "0" para apagar la máquina.
- Vaciar el cajón de residuos (14) (como indicado en el párrafo anterior).
- Levantar los cepillos laterales (18) y (19, opcional), tirando las palancas (12) y (13, opcional) hacia adelante.
- Asegurarse de que la máquina no pueda moverse de forma autónoma.
- Cargar las baterías (véase el capítulo Mantenimiento).

DESPLAZAMIENTO DE LA MÁQUINA MEDIANTE EMPUJE

La máquina puede desplazarse mediante empuje con la llave de encendido (2) posicionada en "0" o en "1".

PERIODO DE LARGA INACTIVIDAD DE LA MÁQUINA

Si se piensa que la máquina no va a ser usada durante 30 días o más, efectuar las operaciones siguientes:

- Llevar a cabo los procedimientos indicados en el párrafo Después del uso de la máquina.
- Dejar la máquina en un lugar seco y limpio.
- Desconectar el conector de las baterías (36).
- Levantar un poco la máquina de forma que los flaps, el cepillo principal y las ruedas no toquen el suelo.

MANTENIMIENTO

Un mantenimiento cuidadoso y continuo garantiza la vida útil y la seguridad de funcionamiento de la máquina.

El esquema siguiente resume el mantenimiento programado. Los períodos indicados pueden variar según las condiciones de trabajos, que el encargado del mantenimiento debe establecer.

Todas las operaciones de mantenimiento programado o extraordinario deben ser efectuadas por el personal calificado o por un Centro de asistencia autorizado.

En este manual, después del esquema de mantenimiento programado, se describen sólo las operaciones de mantenimiento más sencillas y frecuentes.

Para las operaciones de mantenimiento no indicadas en el esquema de mantenimiento programado, véase el Manual de asistencia disponible en los Centros de asistencia.



¡ATENCIÓN!

Las operaciones de mantenimiento deben efectuarse con la máquina apagada, llave quitada y, si necesario, con las baterías desconectadas.

Antes de efectuar las operaciones de mantenimiento, leer cuidadosamente todas las instrucciones del capítulo Seguridad.

ESQUEMA DE MANTENIMIENTO PROGRAMADO

Procedimiento	Al momento de la entrega	Cada 10 horas	Cada 50 horas	Cada 200 horas	Cada 400 horas
Carga de las baterías	(1)				
Control del nivel del líquido de las baterías (WET)					
Control del cable del cargador de baterías					
Limpieza y control de la integridad del filtro de polvos		(2)			
Control y ajuste de la altura de los cepillos laterales y principal					
Control de la altura y del funcionamiento de los flaps					
Control de la guarnición del filtro					
Control/ajuste de las correas de transmisión: sistema de tracción, cepillo principal.				(*)	
Control del funcionamiento del microinterruptor de posición del cajón de residuos					
Sustitución de las correas de transmisión: sistema de tracción, cepillo principal.				(*)	
Control o sustitución de los cepillos de los motor principal					(*)

(*) Para el procedimiento relacionado, véase el Manual de asistencia.

(1) Diaria o después del uso de la máquina.

(2) O antes de cada puesta en marcha.

CONTROL DEL CABLE DEL CARGADOR DE BATERÍAS

Controlar con cuidado que el cable del cargador de baterías (38) y el enchufe relacionado no presenten signos de abrasión, cortes, grietas u otros daños.

Si el cable del cargador de baterías y el enchufe relacionado están dañados, acudir a un Centro de asistencia Advance.

CARGA DE LAS BATERÍAS**¡ADVERTENCIA!**

Cargar las baterías cuando el led amarillo (5) o rojo (6) se enciende y al final de cada trabajo. Si se mantienen las baterías cargadas, su durabilidad aumenta.

**¡ATENCIÓN!**

No dejar las baterías descargadas durante mucho tiempo, porque su durabilidad podría reducirse.

**¡ATENCIÓN!**

Si se usan baterías de plomo (WET), cargando las baterías se produce gas hidrógeno muy explosivo. Cargar las baterías sólo en áreas bien ventiladas y lejos de llamas libres.

No fumar cuando se cargan las baterías.

El capó debe quedarse abierto mientras que se cargan las baterías.

**¡ATENCIÓN!**

Tener cuidado mientras que se cargan las baterías WET porque el líquido de baterías podría sobresalir. Este líquido es corrosivo. En caso de contacto con la piel o los ojos, lavar a conciencia con agua y consultar un médico.

1. Llevar la máquina sobre un suelo llano. Asegurarse de que la máquina no pueda moverse de forma autónoma.
2. Colocar la llave de encendido (2) en "0".
3. Conectar el cable (38) del cargador de baterías electrónico (40) a la red eléctrica.

**¡ATENCIÓN!**

La tensión y la frecuencia de la red deben ser iguales a los correspondientes valores del cargador de baterías electrónico indicados en la placa del número de serie de la máquina (47).



NOTA

Cuando el cargador de baterías electrónico está conectado a la red eléctrica, todas las funciones de la máquina se paran automáticamente.

4. Cuando el led verde (4) se enciende, las baterías están cargadas.
Para informaciones suplementarias sobre el funcionamiento del cargador de baterías (40) consultar el manual relacionado.
5. Desconectar el cable (38) del cargador de baterías electrónico de la red eléctrica y colocarlo en su alojamiento (39) en la máquina.
6. La máquina está lista para el uso.

CONTROL Y AJUSTE DE LA ALTURA DEL CEPILLO PRINCIPAL



NOTA

Hay cepillos con cerdas más o menos duras. Este procedimiento es aplicable por cada uno de estos tipos.

Control

1. Controlar la altura del cepillo principal mediante el procedimiento siguiente:
2. Llevar la máquina sobre un suelo llano.
3. Parar la máquina en un punto y dejar que el cepillo principal gire durante unos segundos.
4. Parar el cepillo principal, luego desplazar la máquina y apagarla.
5. Controlar que la huella (A, Fig. 2) dejada por el cepillo principal por toda su largura sea de 0.8 a 1.6 in (2 a 4 cm).
6. Sólo en el caso de que la huella (A) sea diferente, ajustar la altura del cepillo.

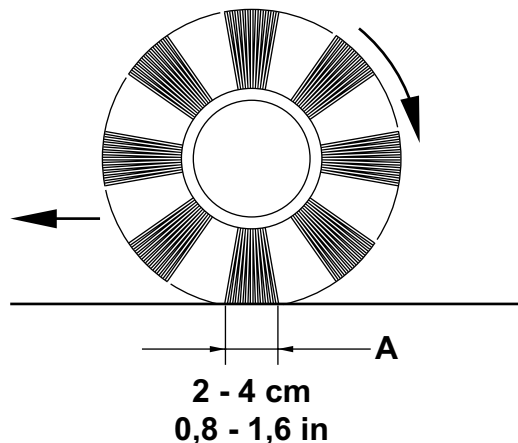


Figura 2

P100817

Ajuste

7. Llevar la llave de encendido (2) en posición "0".
8. Girar la perilla (B, Fig. 3) teniendo en cuenta que:
 - para aumentar la anchura de la huella, girar la perilla en sentido antihorario
 - para disminuir la anchura de la huella, girar la perilla en sentido horario



NOTA

Además de ajustar la huella, la perilla sirve también para ajustar el cepillo en función del desgaste de las cerdas.

9. Llevar a cabo de nuevo el paso 1 para controlar que la altura del cepillo principal sea correctamente ajustada.
10. Si el cepillo está demasiado consumido no se puede ajustar más, sustituir el cepillo como indicado en el párrafo siguiente.

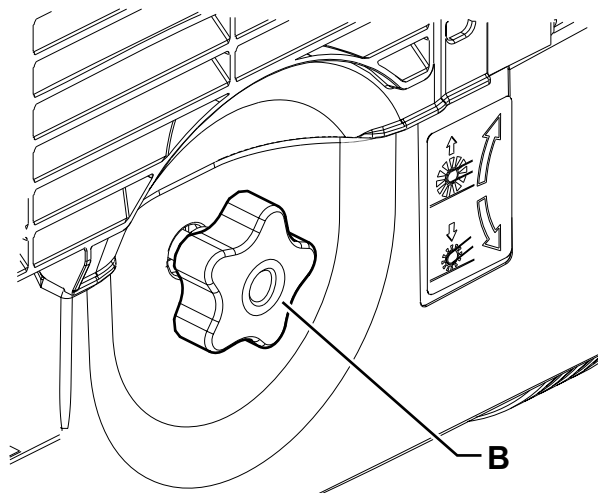


Figura 3

P100818



¡ADVERTENCIA!

Una huella demasiado grande (superior a 1.6 in (4 cm)) del cepillo principal perjudica el funcionamiento regular de la máquina y puede causar el sobrecalentamiento de los componentes móviles y eléctricos, reduciendo drásticamente sus duración. Tener mucho cuidado cuando se efectúa el control arriba indicado y activar la máquina sólo en las condiciones indicadas.

SUSTITUCIÓN DEL CEPILLO PRINCIPAL

**¡ADVERTENCIA!**

Durante la sustitución del cepillo principal se aconseja usar guantes por que residuos cortantes podrían estar encastrados en las cerdas.

1. Llevar la máquina sobre un suelo llano.
2. Colocar la llave de encendido (2) en "0".
3. Girar completamente la perilla de ajuste de la altura del cepillo principal (28) en sentido horario.
4. Quitar el cajón de residuos (14).
5. Girar la perilla (23) y abrir el portillo izquierdo (A, Fig. 4).
6. Aflojar las perillas (B) y quitar la tapa del cepillo principal (C) girándolo ligeramente en sentido antihorario.
7. Quitar el cepillo principal (D) desde el lado delantero de la máquina.
8. Comprobar que el cubo arrastrador (E) no sea sucio y que no haya objetos (cuerdas, trapos, etc.) enrollados accidentalmente.
9. Colocar el nuevo cepillo principal con las cerdas (F) inclinadas como indicado.
10. Instalar el nuevo cepillo principal desde el lado delantero de la máquina y asegurarse de que su engrane (G) se enganche en el cubo arrastrador relacionado (E).
11. Instalar la tapa del cepillo principal (C) y apretar las perillas (B).
12. Cerrar el portillo izquierdo (A).
13. Ajustar la altura del cepillo principal como indicado en el párrafo anterior.

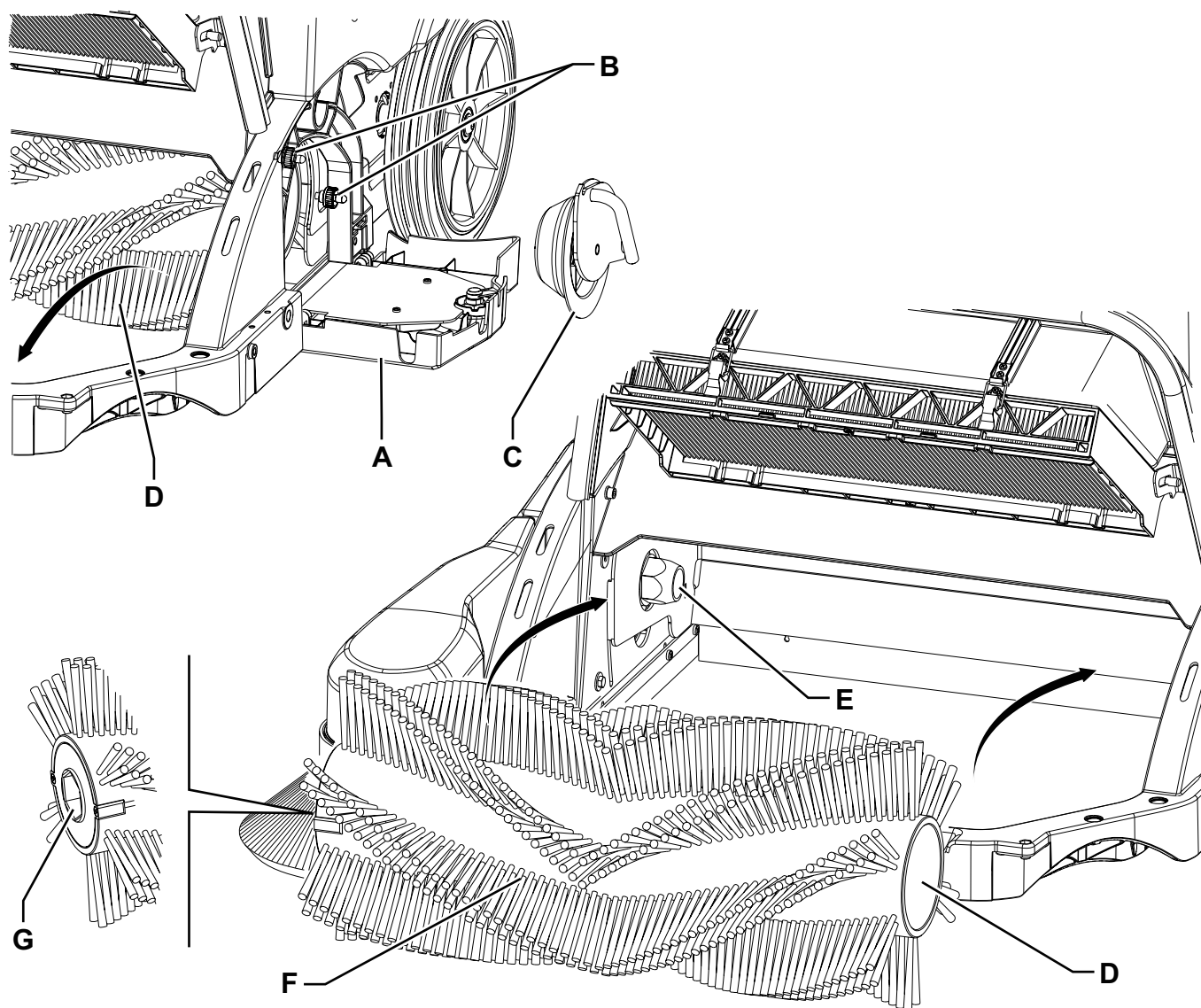


Figura 4

P100819

CONTROL Y AJUSTE DE LA ALTURA DEL CEPILLO LATERAL



NOTA

Hay cepillos con cerdas más o menos duras. Este procedimiento es aplicable por cada uno de estos tipos.

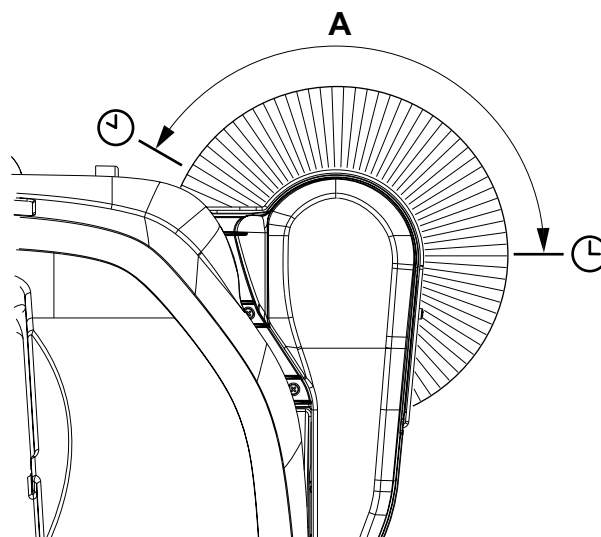


NOTA

Este procedimiento se puede aplicar tanto al cepillo lateral derecho como al cepillo lateral izquierdo (opcional).

Control

1. Llevar la máquina sobre un suelo llano.
2. Llevar la llave de encendido (2) en posición "I".
3. Bajar el cepillo lateral con la palanca (12).
4. La altura del cepillo lateral es correcta cuando las cerdas apoyan en el suelo como muestra la figura (A, Fig. 5). Sólo en el caso de que la huella (A) sea diferente, ajustar la altura del cepillo.



P100820

Ajuste

5. Llevar la llave de encendido (2) en posición "0".
6. Bajo de la tapa (B, Fig. 6) aflojar la tuerca (C) y girar el tornillo (D) en sentido horario o antihorario para aumentar o disminuir la altura del cepillo lateral. Luego bloquear el tornillo con la tuerca.
7. Llevar a cabo de nuevo el paso 4 para controlar que la altura del cepillo lateral sea correctamente ajustada.
8. Si el cepillo está demasiado consumido no se puede ajustar más, sustituir el cepillo como indicado en el párrafo siguiente.



¡ADVERTENCIA!

Una huella demasiado grande del cepillo lateral perjudica el funcionamiento regular de la máquina y puede causar el sobrecalentamiento de los componentes móviles y eléctricos, reduciendo drásticamente sus duración.

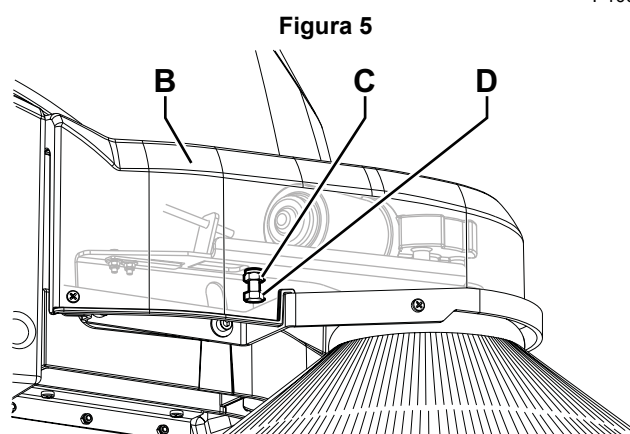


Figura 5

P100821

DESMONTAJE/MONTAJE DEL CEPILLO LATERAL



¡ADVERTENCIA!

Durante la sustitución del cepillo lateral se aconseja usar guantes por que residuos cortantes podrían estar encastrados en las cerdas.



NOTA

Este procedimiento se puede aplicar tanto al cepillo lateral derecho como al cepillo lateral izquierdo (opcional).

1. Llevar la máquina sobre un suelo llano.
2. Colocar la llave de encendido (2) en "0".
3. Al interior del cepillo lateral, desenroscar la perilla (A, Fig. 7) luego quitar el cepillo (B) desenganchándolo de los tres pernos (C).
4. Montar el nuevo cepillo en la máquina enganchándolo a los pernos (C), luego enroscar la empuñadura (A).
5. Ajustar la altura del nuevo cepillo según el procedimiento indicado en el párrafo precedente.

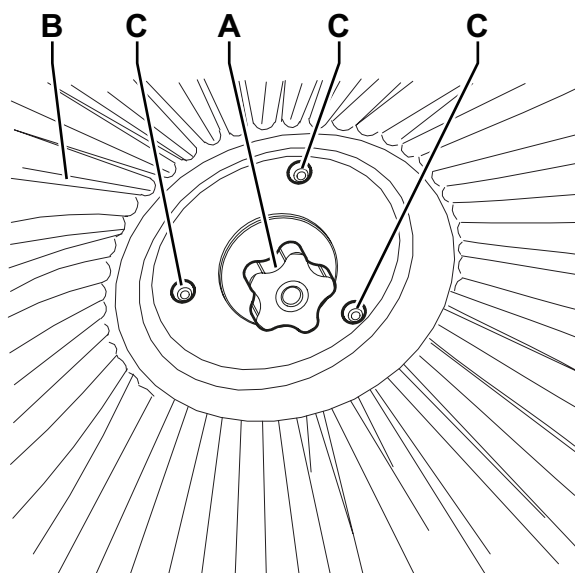
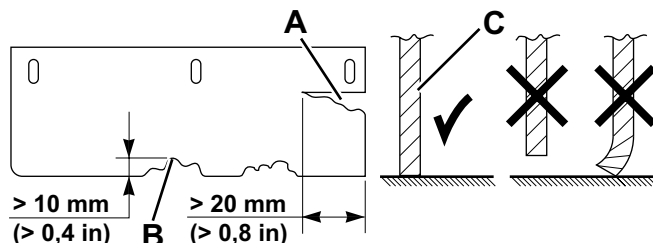


Figura 7

P100822

CONTROL Y AJUSTE DE LOS FLAPS

1. Llevar la máquina sobre un suelo llano y adecuado para controlar que la altura de los flaps sea correcta. Asegurarse de que la máquina no pueda moverse de forma autónoma.
2. Colocar la llave de encendido (2) en "0".
3. Quitar el cajón de residuos (14).
4. Quitar el cepillo principal (27) como indicado en el párrafo específico.



P100823

Control de los flaps laterales

5. Controlar la integridad de los flaps laterales (26). Sustituir los flaps cuando hay cortes (A, Fig. 8) más grandes de 20 mm o roturas/desgarros (B) más grandes de 10 mm (para la sustitución véase el Manual de asistencia).
6. Controlar que la altura de los flaps laterales (26) sea como indicado en la figura (C) y que apoyen en el suelo, por toda su longitud.
7. Si necesario ajustar los flaps mediante el procedimiento siguiente.

Ajuste de los flaps laterales

8. Quitar el portillo derecho (52) para acceder a las tuercas (D, Fig. 9).
9. Aflojar las tuercas (D) y quitar el tornillo (E), luego ajustar la altura del flap derecho (F) utilizando sus agujeros.
10. Aflojar los tornillos (G) y ajustar la altura del flap de recuperación derecho (H) utilizando sus agujeros.
11. Aflojar los tornillos (I) y las tuercas (J), luego ajustar la altura del flap izquierdo (K) utilizando sus agujeros.
12. Una vez efectuado el ajuste, apretar los tornillos y las tuercas.



NOTA
Este procedimiento de ajuste se puede aplicar tanto al flap de recuperación derecho (H) como al flap de recuperación izquierdo (opcional).

Control del flap delantero y control/ajuste del flap trasero

13. Controlar la integridad del flap delantero (24) del cajón de residuos (14).
14. Controlar la integridad del flap trasero (25).
15. Sustituir los flaps cuando hay cortes (A, Fig. 8) más grandes de 20 mm o roturas/desgarros (B) más grandes de 10 mm (para la sustitución véase el Manual de asistencia).
16. Controlar que la altura del flap trasero (25) sea como indicado en la figura (C) y que apoye en el suelo por toda su longitud.
17. Si necesario, aflojar los tornillos (L, Fig. 10) y ajustar la altura del flap (M) utilizando sus agujeros.
18. Una vez efectuado el ajuste, apretar los tornillos (L).
19. Montar los componentes en orden contrario al desmontaje.



NOTA
El flap delantero (24) del cajón de residuos no necesita ajustes.

Figura 8

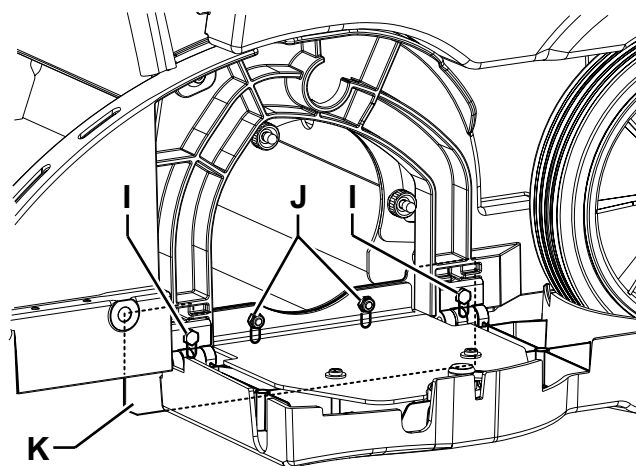
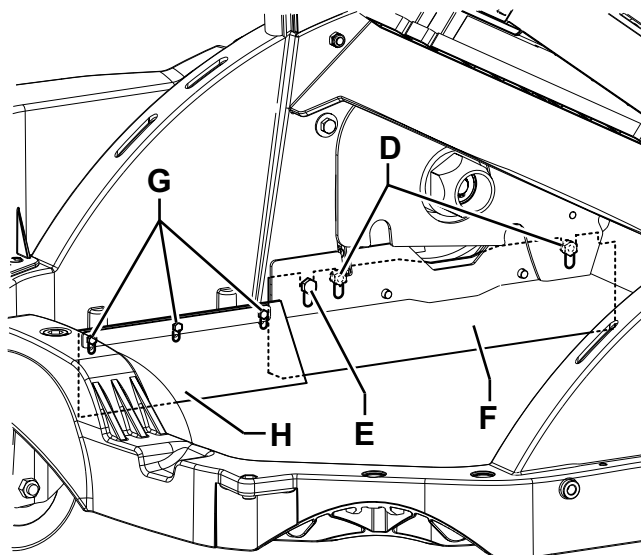


Figura 9

P100825

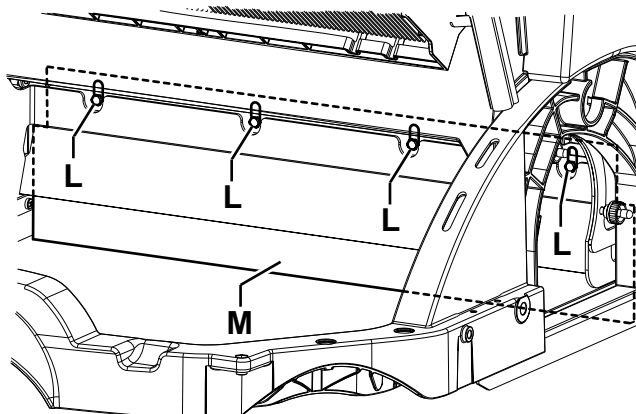


Figura 10

P100826

LIMPIEZA Y CONTROL DE LA INTEGRIDAD DEL FILTRO DE POLVOS

El filtro de polvos debe limpiarse con regularidad para mantener la eficacia del sistema de aspiración. Respetar la frecuencia de mantenimiento recomendada para conseguir la máxima duración del filtro.



¡ATENCIÓN!

Llevar puestas unas gafas protectoras para limpiar el filtro.

No perforar el filtro.

Limpiar el filtro en una zona bien ventilada.

Utilizar una mascarilla adecuada para evitar respirar el polvo.



NOTA

Además del filtro de papel estándar, hay también filtros de poliéster en opción.

- Llevar la máquina sobre un suelo llano y asegurarse de que la máquina no pueda desplazarse de forma autónoma.
- Colocar la llave de encendido (2) en "0".
- Quitar el cajón de residuos (14).
- Soltar las palancas (A, Fig. 11) y girar el soporte del filtro (B) hacia abajo.
- Quitar el filtro de polvos (C).
- Al aire libre, limpiar el filtro de polvos sacudiéndolo sobre una superficie llana y limpia, batiendo el lado (E, Fig. 12) opuesto a el de la redecilla (F).
- Completar la limpieza con un chorro perpendicular de aire comprimido (G) de máximo 87 psi (6 Bar), soplando sólo por el lado de la redecilla (F).

Según el tipo de filtro utilizado, tener en cuenta las siguientes informaciones:

- Filtro de papel (estándar): no usar agua o detergentes para limpiarlo porque se podría dañar.
- Filtro de poliéster (opcional): para una limpieza más profunda, se podría eventualmente limpiar el filtro con agua y un detergente no espumógeno. Se recuerda que, este tipo de limpieza, si bien sea mejor cualitativamente, reduce la duración del filtro que, por consecuencia, tendrá que sustituirse más frecuentemente. El uso de detergentes no adecuados puede dañar el filtro.

- Controlar que el cuerpo del filtro no esté desgarrado. Limpiar la guarnición (H) y controlar que no esté dañada. De lo contrario, sustituir el filtro.
- Si necesario, limpiar la guarnición de caucho en el compartimiento del filtro (D, Fig. 11) y controlar que no esté dañada. De lo contrario, sustituirla.
- Montar los componentes en orden contrario al desmontaje.

Limpeza del prefiltro (opcional)

- Llevar a cabo los pasos de 1 a 3.
- Quitar el prefiltro (K, Fig. 13) y limpiarlo mediante un chorro de aire comprimido de máximo 87 psi (6 Bar).
- Montar los componentes en orden contrario al desmontaje.

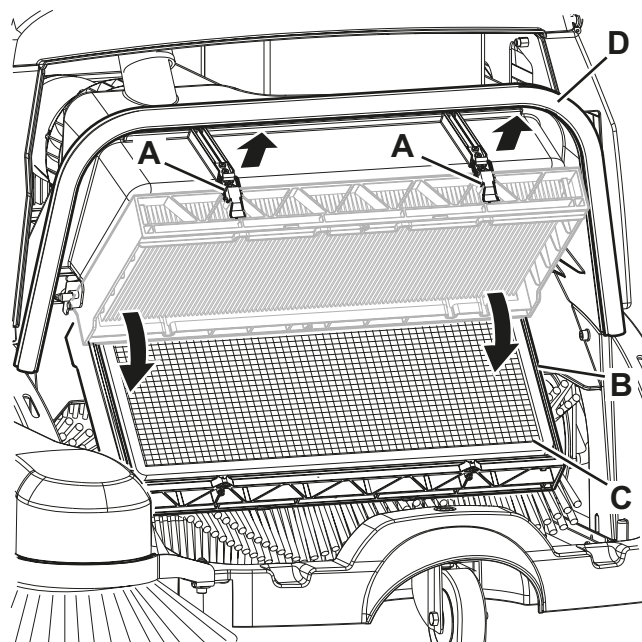


Figura 11

P100827

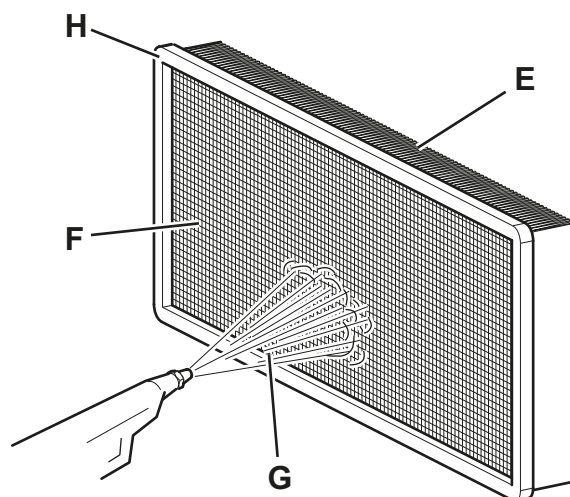


Figura 12

P100828

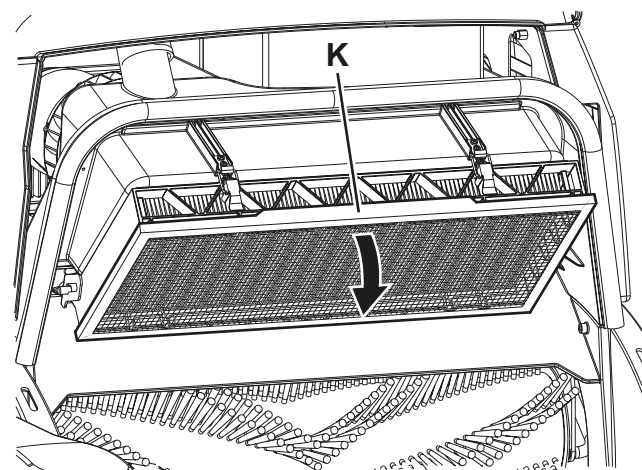


Figura 13

P100829

CONTROL DEL FUNCIONAMIENTO DEL MICROINTERRUPTOR DE POSICIÓN DEL CAJÓN DE RESIDUOS

1. Con la máquina apagada, quitar el cajón de residuos (14).
2. Tratar de poner en marcha la máquina llevando la llave de encendido (2) en posición "1" y controlar que la máquina no se ponga en marcha. Colocar la llave de encendido (2) en "0".
3. Volver a colocar el cajón de residuos (14).
4. Si la máquina se pone en marcha también con el cajón de residuos (14) quitado, acudir de inmediato a un Centro de asistencia autorizado o al Revendedor autorizado.

CONTROL/REACTIVACIÓN/SUSTITUCIÓN DE LOS FUSIBLES

1. Llevar la máquina sobre un suelo llano. Asegurarse de que la máquina no pueda moverse de forma autónoma.
2. Colocar la llave de encendido (2) en "0".

Control de los fusibles reseteables

3. Controlar si hay un fusible desactivado entre los siguientes fusibles reseteables:
(32): Fusible FA (70 A) motor principal
(33): Fusible FB (5 A) motor del cepillo lateral derecho
(34): Fusible FC (5 A) motor del cepillo lateral izquierdo (opcional)
Reactivar el fusible desactivado, tras haber esperado el enfriamiento del componente que causó la desactivación.

Control/sustitución de los fusibles

4. Desenganchar el retén delantero (22) y abrir el capó de las baterías y del motor principal (21).
5. Desconectar el conector de las baterías (36).
6. Controlar/sustituir el fusible interesado entre los siguientes:
(29): Fusible F0 (125 A) baterías.
Controlar/sustituir el fusible del cargador de baterías (31) mediante el procedimiento siguiente:
7. Abrir la rejilla trasera (51) desenroscando los tornillos de fijación.
8. Abrir el portafusible y controlar/sustituir el fusible F2 (30 A).

Montaje

9. Conectar el conector de las baterías (36).
10. Cerrar el capó de las baterías y del motor principal (21) y enganchar el retén delantero (22).
11. Cerrar y apretar con el tornillo la rejilla trasera (51).

CONTROL DEL NIVEL DE ELECTRÓLITO DE LAS BATERÍAS (SOLO PARA BATERÍAS WET)

1. Desenganchar el retén delantero (22) y abrir el capó de las baterías y del motor principal (21).
2. Controlar el nivel del electrólito en las baterías (35). Si necesario, rellenar a través de los tapones.
3. Cerrar todos los tapones de las baterías (35).
4. Cerrar el capó de las baterías y del motor principal (21) y enganchar el retén delantero (22).
5. Si necesario, cargar las baterías como indicado en el párrafo específico.

BÚSQUEDA AVERÍAS

Problema	Probable causa	Remedio
Llevando la llave de encendido "I" las funciones de la máquina no se activan.	El conector de las baterías está desconectado.	Abrir el capó y conectar el conector de las baterías.
	El cajón de residuos no está en posición correcta.	Colocar correctamente el cajón de residuos.
	El fusible reseteable (FA) del motor principal está abierto.	Esperar que el motor principal se enfríe, luego resetear el fusible pulsando el pulsador relacionado.
	El cargador de baterías electrónico está conectado a la red eléctrica.	Desconectar el cargador de baterías electrónico de la red eléctrica.
	El microinterruptor cajón de residuos está roto.	Sustituir el microinterruptor. (*)
El cepillo lateral no funciona.	El fusible reseteable (FB) o (FC) (opcional) está abierto.	Esperar que el motor del cepillo lateral en cuestión se enfríe, luego resetear el fusible pulsando el pulsador relacionado.
	El microinterruptor del cepillo lateral está averiado.	Sustituir el microinterruptor del cepillo lateral interesado. (*)
La máquina recoge pocos residuos/polvo.	El filtro de polvos está obstruido.	Limpiar el filtro de polvos usando el sacudidor del filtro o desmontándolo.
	El cajón de residuos está lleno.	Vaciar el cajón de residuos.
	Los flaps no están correctamente ajustados o están rotos.	Ajustar/sustituir los flaps.
	Los cepillos no están correctamente ajustados.	Ajustar la altura de los cepillos.
	La correa del cepillo principal está desgastada o no correctamente ajustada.	Ajustar o sustituir la correa del cepillo principal. (*)
La máquina funciona sólo cuando está parada en un punto, si se intenta moverla se apaga y el indicador luminoso rojo parpadea.	Las baterías están descargadas.	Recargar las baterías. Si el problema sigue existiendo sustituir las baterías.
La autonomía de las baterías es escasa.	Las baterías están muertas.	Sustituir las baterías.
	Capacidad mínima de las baterías.	Instalar baterías de mayor capacidad (véase el párrafo Datos técnicos).
Tirando de la palanca de mando de la tracción, la máquina no se mueve o se mueve lentamente.	El cable de mando de la tracción está desgastado o no correctamente ajustado.	Ajustar o sustituir el cable de mando de la tracción. (*)
	La correa de tracción está desgastada o no correctamente ajustada.	Ajustar o sustituir la correa de tracción. (*)

(*) Procedimiento que debe efectuarse en un Centro de asistencia Advance.



NOTA

La máquina no puede funcionar sin cargador de baterías. Si el cargador de baterías está averiado, acudir a un Centro de asistencia autorizado.

Para informaciones suplementarias consultar el Manual de asistencia en los Centros de asistencia Advance.

DESGUACE

Eliminar la máquina en un demoledor calificado.

Antes de eliminar la máquina es necesario quitar y separar los siguientes materiales y eliminarlos según las actuales normas de higiene ambiental:

- Baterías
- Filtro de polvos de poliéster
- Cepillos principal y lateral
- Tubos y componentes de plástico
- Componentes eléctricos y electrónicos (*)

(*) En particular, para el desguace de los componentes eléctricos y electrónicos, contactar con Advance.

ÍNDICE

INTRODUÇÃO	2
OBJECTIVO E CONTEÚDO DO MANUAL	2
DESTINATÁRIOS	2
CONSERVAÇÃO DO MANUAL	2
DADOS DE IDENTIFICAÇÃO	2
OUTROS MANUAIS DE REFERÊNCIA	2
PEÇAS DE SUBSTITUIÇÃO E MANUTENÇÃO	2
MODIFICAÇÕES E MELHORIAS	2
CAPACIDADE DE FUNCIONAMENTO	3
CONVENÇÕES	3
DESEMBALAGEM/ENTREGA	3
SEGURANÇA	3
SÍMBOLOS VISÍVEIS NA MÁQUINA	3
SÍMBOLOS UTILIZADOS NO MANUAL	4
INSTRUÇÕES GERAIS	4
DESCRIÇÃO DA MÁQUINA	6
ESTRUTURA DA MÁQUINA	6
ACESSÓRIOS/OPCIONAIS	8
CARACTERÍSTICAS TÉCNICAS	8
DIAGRAMA ELÉCTRICO	9
UTILIZAÇÃO	10
CONTROLO / PREPARAÇÃO DAS BATERIAS NUMA MÁQUINA NOVA	11
ANTES DO ARRANQUE DA MÁQUINA	12
LIGAR E DESLIGAR A MÁQUINA	12
MÁQUINA EM FUNCIONAMENTO	12
ESVAZIAMENTO DO DEPÓSITO DE RESÍDUOS	13
APÓS UTILIZAÇÃO DA MÁQUINA	13
EMPURRAR A MÁQUINA	13
INACTIVIDADE PROLONGADA DA MÁQUINA	13
MANUTENÇÃO	13
PLANO DE MANUTENÇÃO PROGRAMADA	14
CONTROLO DO CABO DO CARREGADOR DE BATERIAS	14
CARREGAMENTO DAS BATERIAS	14
CONTROLO E REGULAÇÃO DA ALTURA DA ESCOVA CENTRAL	15
SUBSTITUIÇÃO DA ESCOVA CENTRAL	16
CONTROLO E REGULAÇÃO DA ALTURA DA ESCOVA LATERAL	17
DESMONTAGEM/MONTAGEM DA ESCOVA LATERAL	17
CONTROLO E REGULAÇÃO DOS FLAPS	18
LIMPEZA E CONTROLO DO ESTADO DO FILTRO DE POEIRAS	19
CONTROLO DO FUNCIONAMENTO DO MICRO-INTERRUPTOR DE POSIÇÃO DO DEPÓSITO DE RESÍDUOS	20
CONTROLO / REPOSIÇÃO / SUBSTITUIÇÃO DOS FUSÍVEIS	20
CONTROLO DO NÍVEL DE ELECTRÓLITOS DAS BATERIAS (APENAS PARA BATERIAS WET)	20
RESOLUÇÃO DE PROBLEMAS	21
FIM DE VIDA	22

INTRODUÇÃO

**NOTA**

Os números indicados entre parêntesis referem-se aos componentes ilustrados no capítulo *Descrição da máquina*.

OBJECTIVO E CONTEÚDO DO MANUAL

Este manual tem como objectivo fornecer ao operador todas as informações necessárias de modo que este esteja preparado para utilizar a máquina da maneira mais adequada, autónoma e segura possível. O manual contém informações inerentes à parte técnica, à segurança, ao funcionamento, ao desligamento da máquina, à manutenção, às peças de substituição e ao fim de vida. Antes de efectuar qualquer operação na máquina, os operadores e os técnicos qualificados devem ler cuidadosamente as instruções contidas no presente Manual. Em caso de dúvidas sobre a correcta interpretação das instruções, contacte a Advance para obter os esclarecimentos necessários.

DESTINATÁRIOS

O presente manual destina-se quer ao operador, quer aos técnicos qualificados de manutenção da máquina. Os operadores não devem executar intervenções reservadas aos técnicos qualificados. A Advance não se responsabiliza por danos resultantes do não cumprimento desta proibição.

CONSERVAÇÃO DO MANUAL

O Manual de instruções para o uso deve ser conservado próximo da máquina, dentro de seu estojo, protegido de líquidos e tudo mais que possa comprometer seu estado de legibilidade.

DADOS DE IDENTIFICAÇÃO

O número de série e o modelo da máquina estão indicados na placa (47).

A mesma placa indica também o ano de produção e o código do produto.

Estas informações são necessárias quando são encomendadas peças de substituição para a máquina. Utilize o espaço abaixo para anotar os dados de identificação da máquina.

Modelo da MÁQUINA
Código PRODUTO
Número de série da MÁQUINA

OUTROS MANUAIS DE REFERÊNCIA

– Manual do carregador electrónico (deve ser considerado parte integrante do presente Manual)

– Catálogo das peças de substituição (fornecido com a máquina)

Além disso, encontram-se disponíveis os seguintes manuais:

– Manual de assistência (pode ser consultado nos centros de assistência da Advance)

PEÇAS DE SUBSTITUIÇÃO E MANUTENÇÃO

Para qualquer necessidade relativa à utilização, à manutenção e à reparação, consulte o pessoal qualificado ou directamente os Centros de assistência Advance. Utilize sempre peças de substituição e acessórios originais.

Para obter assistência e para encomendar peças de substituição e acessórios, contacte a Advance, especificando sempre o modelo, o código do produto e o número de série.

MODIFICAÇÕES E MELHORIAS

A Advance procura constantemente aperfeiçoar os produtos e reserva-se o direito de efectuar modificações e melhorias, quando necessário, sem a obrigação de modificar as máquinas já vendidas anteriormente.

Fica estipulado que qualquer modificação e/ou acréscimo de acessórios deve ser explicitamente aprovada e realizada pela Advance.

CAPACIDADE DE FUNCIONAMENTO

A máquina de varrer foi homologada para a limpeza (varredura e aspiração) de pisos sólidos e compactos, bem como para a recolha de poeiras e detritos leves, em espaços públicos e industriais, em condições de segurança comprovada, por parte de um operador qualificado.

CONVENÇÕES

Todas as referências para frente e para trás, dianteiro e traseiro, direito e esquerdo indicadas neste manual, devem ser entendidas como referindo-se ao operador na posição de condução com as mãos no guiador (10).

DESEMBALAGEM/ENTREGA



ADVERTÊNCIA!

Para desembalar a máquina, siga atentamente as instruções presentes na embalagem.

Quando a máquina for entregue, verifique cuidadosamente se a embalagem e a máquina não sofreram danos durante o transporte. Se os danos forem evidentes, conserve a eventual embalagem de modo que possa ser visionada pela empresa de entregas responsável. Contacte imediatamente a empresa transportadora para preencher um pedido de indemnização pelos danos.

Verifique que o fornecimento da máquina corresponde à seguinte lista:

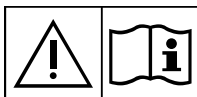
- Documentação técnica:
 - Manual de instruções para o uso da máquina de varrer (este documento)
 - Manual do carregador de bateria electrónico
 - Catálogo das peças de substituição da máquina de varrer
- N.º 1 fusível de 5 A

SEGURANÇA

São utilizados os seguintes símbolos para assinalar eventuais situações de perigo. Leia sempre estas informações com atenção e tome as devidas precauções para proteger as pessoas e os objectos.

A colaboração do operador é essencial para evitar acidentes. Nenhum programa de prevenção de acidentes pode ser eficaz sem a total colaboração da pessoa directamente responsável pelo funcionamento da máquina. A maioria dos acidentes, que podem ocorrer numa fábrica, no trabalho ou nas deslocações, deve-se ao incumprimento das mais elementares normas de segurança. Um operador atento e prudente é a melhor garantia contra os acidentes e indispensável para implementar qualquer programa de prevenção.

SÍMBOLOS VISÍVEIS NA MÁQUINA



ATENÇÃO!

Antes de efectuar qualquer operação na máquina, leia cuidadosamente todas as instruções.



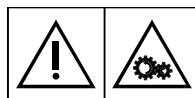
ATENÇÃO!

Não lave a máquina com jactos de água directos ou sob pressão.



ATENÇÃO!

Não utilize a máquina em superfícies cuja inclinação seja superior àquela indicada.



ATENÇÃO!

Partes em movimento.

SÍMBOLOS UTILIZADOS NO MANUAL

**PERIGO!**

Indica um perigo com risco, até mortal, para o operador.

**NOTA**

Indica uma advertência sobre funções chave ou sobre funções úteis.

**ATENÇÃO!**

Indica um risco potencial de acidente para as pessoas ou de danos para os objectos.

**CONSULTA**

Indica a necessidade de consultar o Manual de instruções para o uso antes de executar qualquer operação.

**ADVERTÊNCIA!**

Indica uma advertência ou uma nota sobre funções chave ou sobre funções úteis. Preste a máxima atenção aos blocos de texto indicados com esse símbolo.

INSTRUÇÕES GERAIS

Encontram-se descritas a seguir advertências e atenções específicas para indicar os potenciais perigos de danos à máquina e às pessoas.

**PERIGO!**

- *Antes de efectuar qualquer operação de limpeza na máquina, de manutenção, de substituição de peças ou a conversão em outras funções, a chave do interruptor principal (ou de ignição) deve ser removida.*
- *Esta máquina deve ser utilizada apenas por pessoas que tenham tido formação apropriada.*
- *Quando estiver a trabalhar próximo de componentes eléctricos, tire todas as jóias.*
- *Não trabalhe sob a máquina levantada, sem os suportes de elevação fixos de segurança adequados.*
- *Não opere com esta máquina em espaços onde estejam presentes poeiras, líquidos ou vapores nocivos, perigosos, inflamáveis e/ou explosivos: esta máquina não é adequada a colectar poeiras perigosas.*
- *Mantenha faíscas, chamas e materiais fumegantes/incandescentes, afastados das baterias. Durante o processo de carregamento, podem formar-se gases explosivos.*
- *A máquina está equipada com baterias de chumbo (WET), durante o carregamento das baterias é produzido gás hidrogénio altamente explosivo. Execute a operação de recarregamento apenas em áreas bem ventiladas e longe de chamas abertas.*
- *Se estiverem instaladas na máquina baterias de chumbo (WET), não incline a máquina acima de 30° em relação ao plano horizontal, de modo a não provocar o derrame do líquido altamente corrosivo das baterias. Quando for necessário inclinar a máquina para manutenções, retire previamente as baterias.*

**ATENÇÃO!**

- *Antes de efectuar qualquer intervenção de manutenção/reparação, leia cuidadosamente todas as instruções relativas à manutenção/reparação.*
- *Antes de utilizar o carregador de baterias, certificar-se de que a frequência e a tensão indicada na placa de especificação da máquina coincidam com a tensão da rede eléctrica.*
- *Não utilize o cabo do carregador de baterias para tirar ou transportar a máquina, nem o utilize como se fosse uma pega. Não deixe que o cabo do carregador de baterias seja preso numa porta, nem o puxe em superfície ou ângulos afiados. Não passe com a máquina por cima do cabo do carregador de baterias.*
- *Mantenha o cabo do carregador de bateria afastado de superfícies quentes.*
- *Não utilize a máquina se o cabo do carregador de bateria e a ficha estiverem danificados. Se a máquina não funcionar correctamente, estiver danificada, tiver ficado ao ar livre ou caído na água, leve-a para um centro de assistência.*
- *Antes de realizar a manutenção, para reduzir o risco de incêndio, choques eléctricos ou lesões, desligue o cabo do carregador da rede eléctrica.*

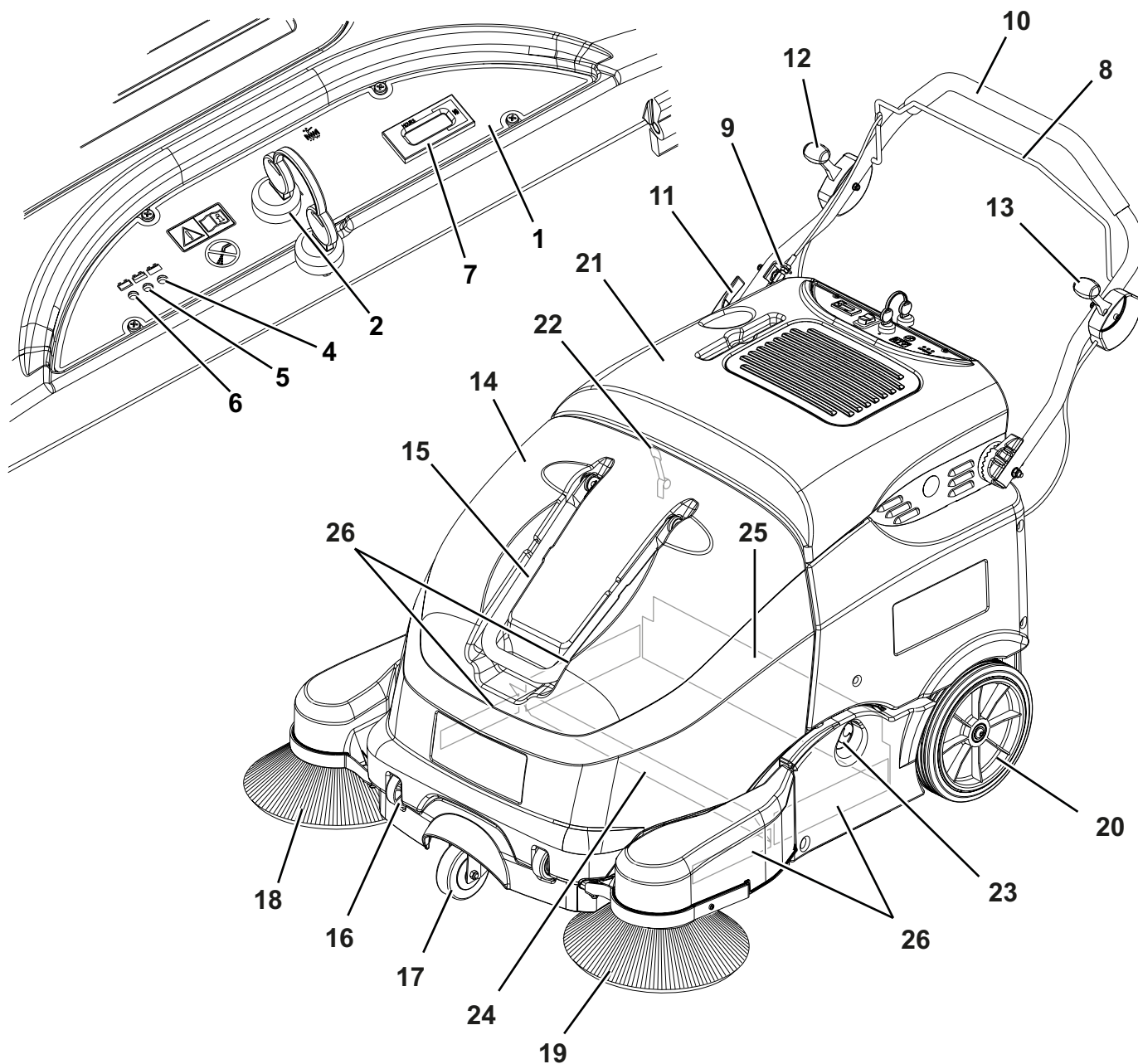
**ATENÇÃO!**

- Não fume durante o carregamento das baterias.
- Esta máquina não é adequada para a utilização por parte de pessoas (incluindo crianças) com capacidades físicas, sensoriais ou mentais reduzidas, bem como com falta de experiência ou de conhecimento, salvo se forem supervisionadas ou formadas sobre a utilização da máquina por parte de uma pessoa responsável pela sua segurança. As crianças devem ser vigiadas para garantir que não brincam com a máquina.
- Preste em particular atenção quando a utilizar com crianças por perto.
- Não utilize para fins diferentes dos que são indicados neste manual. Utilize unicamente os acessórios recomendados pela Advance.
- Inspeccione cuidadosamente a máquina antes de utilizá-la e verifique sempre se realizou a montagem de todos os componentes antes da utilização. A utilização da máquina sem estar completamente montada poderá provocar lesões a pessoas e danos ao equipamento.
- Tome as devidas precauções de modo que cabelos, jóias, partes das roupas soltas não fiquem presas nas partes em movimento da máquina.
- Para evitar a utilização da máquina sem autorização, remova a chave de ignição.
- Se a máquina for deixada sem vigilância, deve ser bloqueada para impedir o movimento involuntário.
- Não utilize a máquina em superfícies inclinadas.
- Não incline a máquina a um ângulo superior à marca existente na máquina para não comprometer a estabilidade.
- Utilize unicamente as escovas fornecidas com a máquina e as especificadas no Manual de instruções para o uso. A utilização de outras escovas pode pôr em causa a segurança.
- Antes de utilizar a máquina, feche todas as portinholas e/ou tampas como indicado no Manual de instruções para o uso.
- Não lave a máquina com jactos de água directos ou sob pressão, ou com substâncias corrosivas.
- Utilize a máquina unicamente em áreas suficientemente iluminadas.
- Durante a utilização da máquina, preste atenção para garantir a segurança das outras pessoas e dos objectos.
- Não encoste a suportes ou andaimes, principalmente se existir o perigo de queda de objectos.
- Não pose recipientes com líquidos na máquina, utilize a base porta-objectos prevista para o efeito.
- A temperatura de armazenamento deve estar compreendida entre 32°F e 104°F (0°C e +40°C).
- A temperatura de uso da máquina deve estar compreendida entre 32°F e 104°F (0°C e +40°C).
- A humidade deve estar compreendida entre 30% e 95%.
- Proteja sempre a máquina da chuva e outras intempéries seja em funcionamento ou parada. Mantenha a máquina num lugar coberto, num ambiente seco: esta máquina destina-se apenas para utilização a seco e não deve ser utilizada ou colocada no exterior em condições de humidade.
- Não utilize a máquina como meio de transporte, para puxar ou empurrar.
- Evite que as escovas estejam em funcionamento com a máquina parada para não provocar danos no piso.
- A capacidade máxima de carga da máquina é de 66 lb (30 kg) (o peso máximo dos resíduos).
- Em caso de incêndio, utilize, se for possível, um extintor de pó e não de água.
- A presente máquina não é aprovada para a utilização em estradas ou vias públicas.
- Não violar, em hipótese alguma, as protecções previstas para a máquina.
- Siga escrupulosamente as instruções previstas para a manutenção periódica.
- Não deixe nenhum objecto penetrar nas aberturas. Se as aberturas são obstruídas, não utilize a máquina. Mantenha as aberturas da máquina livres de pó, fios, pêlos e qualquer outro corpo estranho que possa reduzir o fluxo de ar.
- Não remova, nem altere as placas colocadas na máquina.
- No caso de se verificarem anomalias no funcionamento da máquina, certifique-se de que não se devem à falta de manutenção periódica. Caso contrário solicite a intervenção do pessoal autorizado ou do centro de assistência autorizado.
- Em caso de substituição de peças, solicite peças de substituição ORIGINAIS a um Concessionário ou Revendedor autorizado.
- Por motivos da segurança, e também do bom funcionamento, faça com que pessoal autorizado ou um centro de assistência autorizado execute a manutenção programada prevista no capítulo específico deste Manual.
- A máquina não deve ser abandonada, no fim de seu ciclo de vida, dado que contém materiais tóxicos nocivos (baterias, óleos, etc.), sujeitos a normas que prevêm a entrega em centros especiais (ver o capítulo Fim de vida).

DESCRIÇÃO DA MÁQUINA

ESTRUTURA DA MÁQUINA

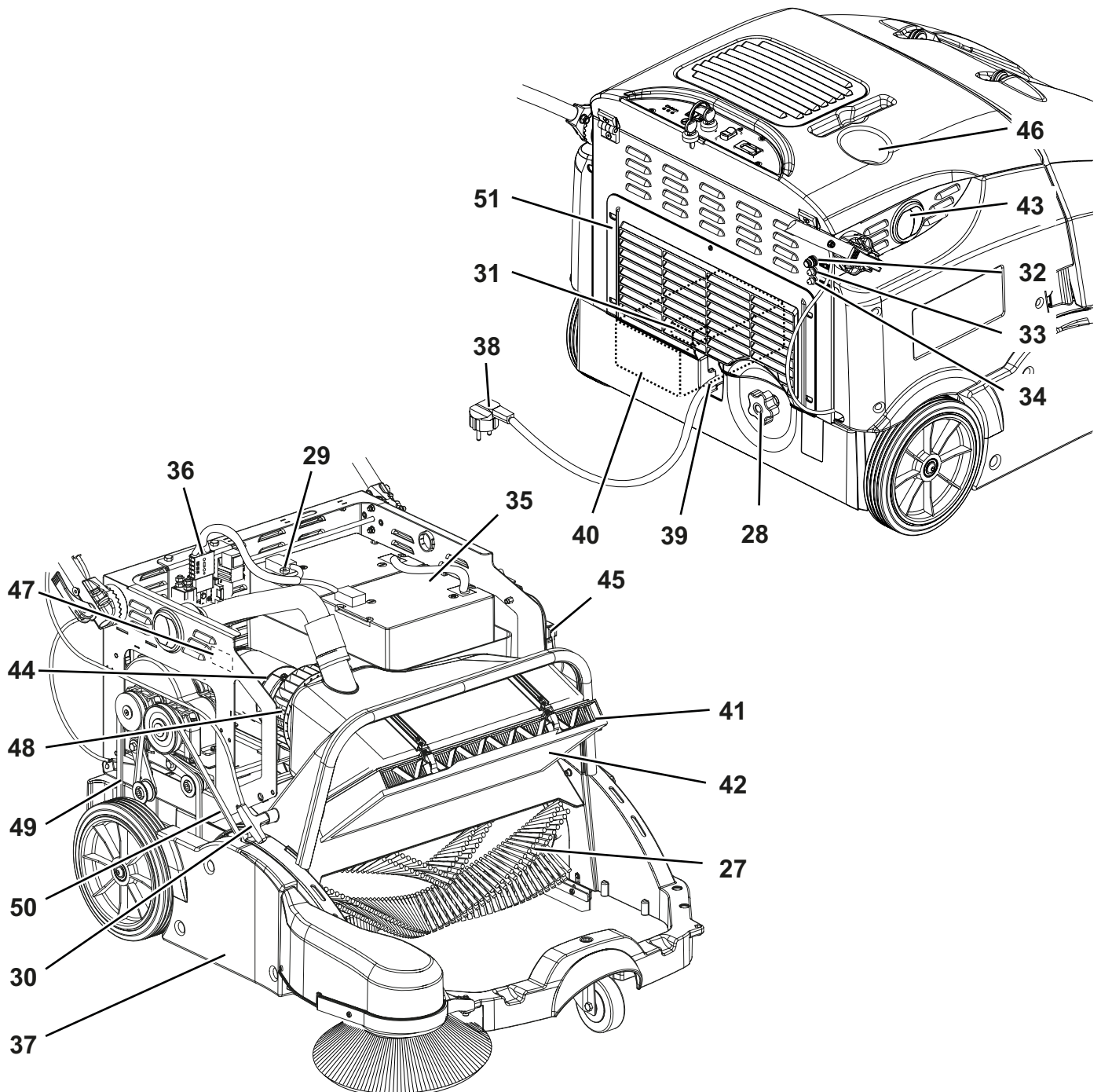
- | | |
|--|---|
| <ol style="list-style-type: none"> 1. Painel de controlo 2. Chave de ignição: <ul style="list-style-type: none"> • Posição "0": máquina desligada e todas as funções desactivadas • Posição "I": máquina ligada e funções activadas 4. LED de sinalização de bateria carregada (verde) 5. LED de sinalização de bateria quase descarregada (amarelo) 6. LED de sinalização de bateria descarregada (vermelho) 7. Contador de horas 8. Alavanca de comando da tracção 9. Regulador do comando de tracção 10. Guiador 11. Alavanca para o ajuste da inclinação do guiador 12. Alavanca de elevação/abaixamento da escova lateral direita | <ol style="list-style-type: none"> 13. Alavanca de elevação/abaixamento da escova lateral esquerda (opcional) 14. Depósito de resíduos 15. Pega de transporte do depósito de resíduos 16. Rodas do depósito de resíduos 17. Roda dianteira rotativa 18. Escova lateral direita 19. Escova lateral esquerda (opcional) 20. Rodas traseiras de tracção 21. Compartimento das baterias e motor principal 22. Fixação dianteira de fecho do capô 23. Manípulo de abertura/fecho da portinhola esquerda 24. Flap dianteiro 25. Flap traseiro 26. Flap laterais |
|--|---|



P100813A

ESTRUTURA DA MÁQUINA (Continuação)

- | | |
|---|---|
| 27. Escova central | 39. Compartimento do cabo do carregador de bateria |
| 28. Manípulo de regulação da altura da escova central | 40. Carregador de baterias electrónico |
| 29. Fusível baterias | 41. Filtro poeiras |
| 30. Pega de accionamento do dispositivo de sacudimento do filtro manual | 42. Pré-filtro (opcional) |
| 31. Fusível carregador de bateria | 43. Bocal "wet by-pass" |
| 32. Disjuntor do motor principal | 44. Motor principal |
| 33. Disjuntor do motor da escova lateral direita | 45. Micro-interruptor de posição do depósito de resíduos |
| 34. Disjuntor do motor da escova lateral esquerda (opcional) | 46. Compartimento porta-objectos |
| 35. Baterias | 47. Placa do número de série/dados técnicos/marca de conformidade |
| 36. Conector da bateria | 48. Ventoinha de aspiração |
| 37. Portinhola direita | 49. Correia de tracção |
| 38. Cabo do carregador de bateria | 50. Correia da escova centra |
| | 51. Grelha traseira |



P100814A

ACESSÓRIOS/OPCIONAIS

Além dos componentes existentes na versão de série, a máquina pode ser equipada com os seguintes acessórios/opcionais, com base na utilização específica da mesma:

- Escova lateral esquerda
- Escovas central e laterais com cerdas mais rígidas ou mais macias em relação às normais
- Filtro de poeiras em poliéster
- Pré-filtro
- Flap anti-rasto

Para mais informações relativas aos acessórios opcionais acima indicados, consulte o seu Revendedor habitual.

CARACTERÍSTICAS TÉCNICAS

Modelo		SW900 B
Largura de limpeza	com uma escova lateral	32.5 in (825 mm)
	com duas escovas laterais	41.3 in (1.050 mm)
Dimensões da escova central (comprimento x diâmetro)		23,6 x 10,4 in (600 x 265 mm)
Diâmetro da escova lateral		12,4 in (315 mm)
Capacidade teórica de trabalho	com uma escova lateral	39,987 ft ² /h (3,715 m ² /h)
	com duas escovas laterais	50,859 ft ² /h (4,725 m ² /h)
Depósito de resíduos	capacidade	2.1 ft ³ (60 litros)
	peso máximo transportável	66 lb (30 kg)
Filtro	sistema de limpeza	Dispositivo manual sacudimento filtro
	área	20,5 ft ² (1,9 m ²)
	capacidade de filtragem	5-10 µm
Alimentação		Baterias de chumbo para uso cíclico / tração 12V (100 - 200 Ah C5)
Motor principal	potência (tração/escova central/aspiração)	0,9 hp (680 W)
Escova central	velocidade	420 rpm
Escova lateral	potência do motor	0,05 hp (40 W)
	velocidade	100 rpm
Tracção	velocidade para a frente	2,8 mi/h (4,5 km/h)
Inclinação máxima de utilização		2 %
Potência total absorvida		67 A (0.8 kW)
Autonomia de trabalho		3 h
Dimensões (comprimento x largura x altura)	máquina em posição de trabalho	54.7 x 34.2 x 43.3 in (1.390 x 870 x 1.100 mm)
	máquina com pega dobrada	41.3 x 34.2 x 33 in (1.050 x 870 x 840 mm)
	máquina com duas escovas laterais	54,7 x 37,4 x 43,3 in (1.390 x 950 x 1.100 mm)
	compartimento de baterias	12,9 x 9 x 15 in (327 x 230 x 380 mm)
Peso	vazio sem baterias	181 lb (82 Kg)
	total em andamento (*)	315 lb (143 Kg)
	máximo em andamento (GVW)	388 lb (176 Kg)
Pressão específica ao solo das rodas (dianteira - traseiras, em andamento)		301 - 72 psi (2,1 - 0,5 N/mm ²)
Pressão sonora no ouvido do operador (ISO 11201, ISO 4871, EN 60335-2-72) (LpA)		70 ± 3 dB(A)
Potência sonora emitida pela máquina (ISO 3744, ISO 4871, EN 60335-2-72) (LwA)		84 dB(A)
Grau de protecção IP		X3
Ângulo de viragem em U		61 in (1,550 mm)
Nível das vibrações no braço do operador (ISO 5349-1) (*)		< 98 in/s ² (< 2,5 m/s ²)

(*) Com bateria e depósito de resíduos vazio.

(**) Em condições de trabalho normais na superfície plana do asfalto.

Composição de material da máquina e reciclabilidade

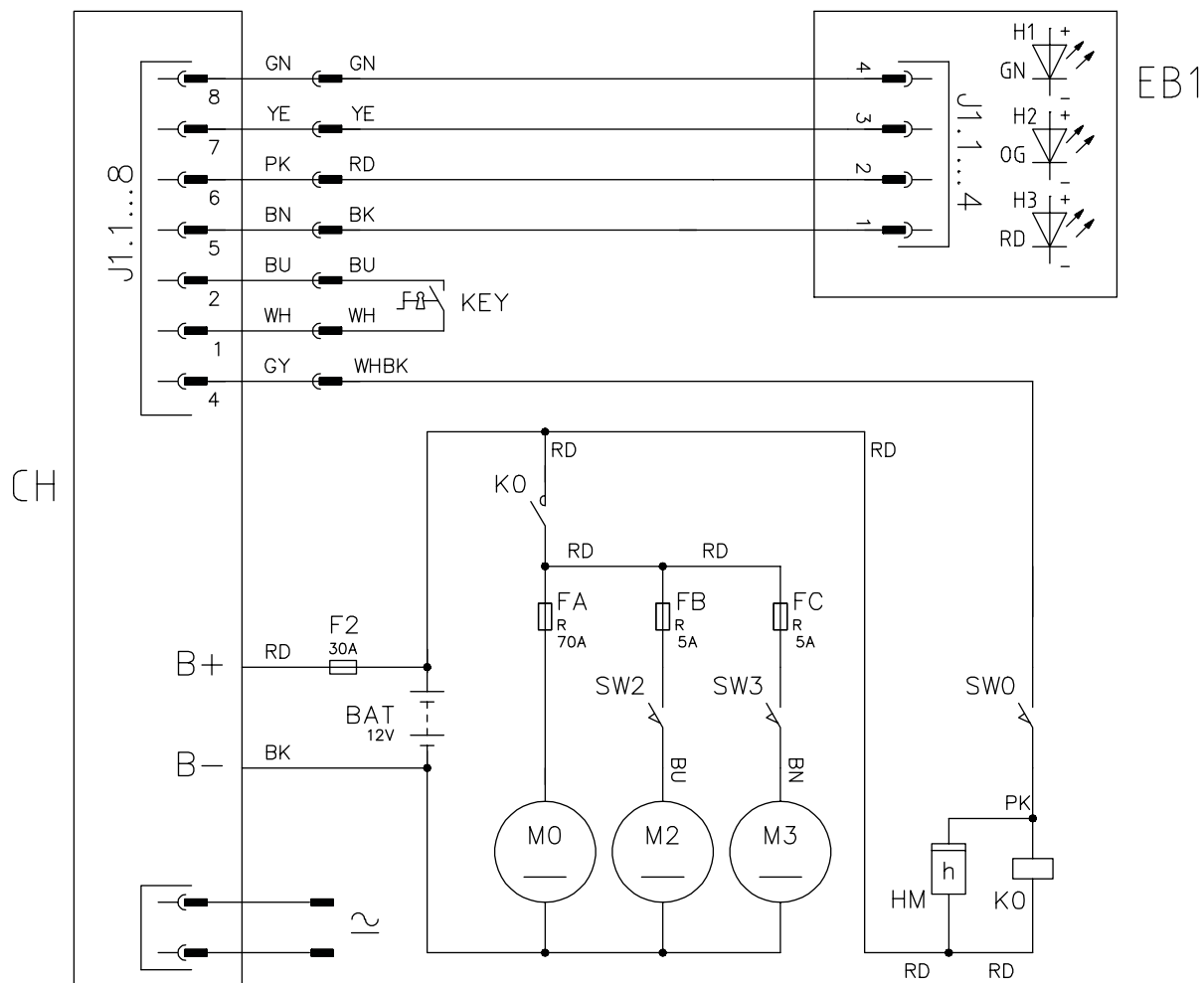
Tipo	% reciclável	% de peso da SW900 B
Alumínio	100 %	2,4 %
Motores eléctricos - misc.	29 %	11,8 %
Materiais ferrosos	100 %	39,4 %
Cablagens	80 %	1,8 %
Líquidos	100 %	0,0 %
Plástico - não reciclável	0 %	9,4 %
Plástico - reciclável	100 %	27,1 %
Polietileno	92 %	5,9 %
Borracha	20 %	2,4 %
Cartão - papel - madeira	100 %	28,6 %

DIAGRAMA ELÉCTRICO**Legenda**

BAT	Baterias 12 V
CH	Carregador de bateria
EB1	Placa led
F2	Fusível do carregador de bateria (30 A)
FA	Disjuntor do motor principal (70 A)
FB	Disjuntor da escova lateral direita (5 A)
FC	Disjuntor escova lateral esquerda (5 A) (opcional)
HM	Contador de horas
K0	Telerruptor motor aspirador
KEY	Chave de ignição
M0	Motor principal
M2	Motor escova lateral direita
M3	Motor escova lateral esquerda (opcional)
SW0	Micro-interruptor do depósito de resíduos
SW2	Micro interruptor da escova lateral direita
SW3	Micro interruptor da escova lateral esquerda (opcional)

Código das cores

BK	Preto
BU	Azul claro
BN	Castanho
GN	Verde
GY	Cinza
OG	Laranja
PK	Rosa
RD	Vermelho
VT	Roxo
WH	Branco
YE	Amarelo



P100815A

UTILIZAÇÃO



ATENÇÃO!

Em alguns pontos da máquina, encontram-se aplicados autocolantes que indicam:

- PERIGO
- ATENÇÃO
- ADVERTÊNCIA
- CONSULTA

Durante a leitura deste guia, o operador deve compreender perfeitamente o significado dos símbolos presentes nas placas (ver o parágrafo "Símbolos visíveis na máquina").

Não cubra, em caso algum, os autocolantes e substitua-os imediatamente, caso fiquem danificados.

CONTROLO / PREPARAÇÃO DAS BATERIAS NUMA MÁQUINA NOVA**ATENÇÃO!**

Os componentes eléctricos desta máquina podem sofrer sérios danos se as baterias não forem instaladas e conectadas da maneira correcta. As baterias devem ser instaladas exclusivamente por pessoal qualificado. Consoante o tipo de baterias escolhido (WET ou GEL-AGM), configure o carregador de bateria da máquina. Antes da instalação, inspeccione as baterias para verificar que não estejam danificadas. Desligar o conector das baterias ou a tomada do carregador de bateria. Manuseie as baterias com muita atenção. Instalar as tampas protectoras dos terminais das baterias fornecidas com a máquina.

A máquina requer uma bateria de 12 V, ou duas baterias de 6 V ligadas conforme o diagrama da Figura 1.

A máquina pode ser fornecida numa das seguintes configurações:

- Baterias (WET ou GEL) montadas na máquina e prontas para o uso
- Baterias não fornecidas

Com base ao tipo de fornecimento recebido, proceda como indicado a seguir.

a) Baterias (WET ou GEL-AGM) montadas na máquina e prontas para o uso

- Desengate a fixação dianteira (22) e abra o capô das baterias e do motor principal (21), depois verifique se as baterias estão ligadas à máquina com o conector (36).
- Feche o capô das baterias e do motor principal e do dinamotor (21) e engate a fixação dianteira (22).
- Insira a chave de ignição (2) no painel de controlo e coloque-a em "I" sem puxar a alavanca de comando de tracção (8). Se o LED verde (4) se acender, as baterias estão prontas para a utilização. Caso se acenda o LED amarelo (5) ou vermelho (6), é preciso carregar as baterias (consultar o procedimento no capítulo Manutenção).

b) Baterias não fornecidas

- Compre baterias adequadas [Ver parágrafo "Características Técnicas" e o diagrama da Figura 1]. Para a escolha e a instalação, consulte revendedores qualificados.
- Desengate a fixação dianteira (22) e abra o capô das baterias e do motor principal (21).
- Certificar-se que o conector das baterias (36) esteja desligado.

**ATENÇÃO!**

As baterias instaladas poderão exigir um algoritmo específico de recarga: contacte sempre um Centro Advance qualificado para configurar o algoritmo de recarga mais adequado à bateria adquirida.

- Com cuidado, levante as baterias até ao respectivo compartimento e disponha-as de modo correcto, conforme ilustrado na Figura 1.
- Posicione e instale os cabos das baterias como mostrado nos esquemas da Figura 1, depois aperte com cuidado a porca em cada borne das baterias.
- Posicione o terminal de protecção em cada borne, depois ligue o conector das baterias (36).
- Feche o capô das baterias e do motor principal e do dinamotor (21) e engate a fixação dianteira (22).
- Carregue as baterias (veja o procedimento no capítulo da Manutenção).

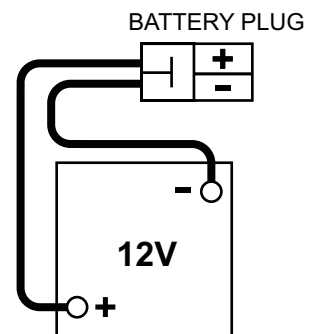
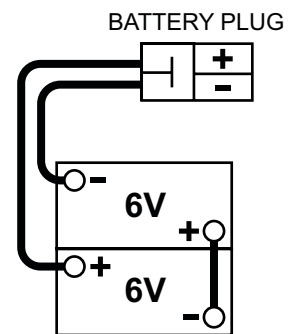


Figura 1

P100816

ANTES DO ARRANQUE DA MÁQUINA

1. Verifique se a máquina não está com tampas/portinholas abertas e que se apresenta nas condições normais de utilização.
2. Em caso da máquina ainda não ter sido utilizada após o transporte, verifique que todos os calços e meios de bloqueio utilizados para o transporte tenham sido removidos.
3. Certifique-se de que as escovas lateral e central estão montadas; caso contrário, montá-las (veja o procedimento no capítulo Manutenção).
4. Regule a inclinação do guiador (10) conforme a necessidade, utilizando a alavanca (11). Após o ajuste, feche a alavanca.

LIGAR E DESLIGAR A MÁQUINA

Ligar a máquina

1. Insira a chave de ignição (2) no painel de controlo e rode-a para "I" sem puxar a alavanca de comando de tracção (8). Nos primeiros 3 segundos, o sinal intermitente dos LEDs de sinalização de bateria (4, 5 e 6) indicam a tipologia de baterias instaladas a bordo. Depois, se a carga das baterias for suficiente, o motor principal (44) provoca o arranque da escova central (27) e da ventoinha de aspiração (48). Se o LED verde (4) se acender, as baterias estão prontas para a utilização. Caso se acenda o LED amarelo (5) ou vermelho (6), é preciso carregar as baterias (consultar o procedimento no capítulo Manutenção).



ATENÇÃO!

O motor não pode ser colocado em funcionamento se o depósito de resíduos (14) não estiver na posição correcta. Um sistema de segurança impede o arranque.

2. Baixe as escovas laterais (18) e (19, opcional), puxando para trás as alavancas (12) e (13, opcional).



NOTA

As escovas laterais activam-se quando são descendidas e podem ser descendidas e erguidas até quando a máquina está em movimento.

3. Inicie a operação de varredura segurando o guiador (10) e puxando progressivamente a alavanca de comando da tracção (8).

Desligar a máquina

1. Para parar a máquina, basta soltar totalmente a alavanca de comando de tracção (8).
2. Para baixar as escovas laterais (18) e (19, opcional), puxe as alavancas (12) e (13, opcional) para a frente.
3. Para parar a escova central (27) e a ventoinha de aspiração (48), rode a chave de ignição (2) para "0".
4. Verifique que a máquina não pode mover-se sozinha.

MÁQUINA EM FUNCIONAMENTO

1. Desloque-se na área de trabalho como indicado no parágrafo anterior.
2. Evite parar a máquina por muito tempo na mesma posição, com as escovas a rodar: poderá provocar marcas indesejáveis no piso.
3. Para um bom trabalho de varredura, é necessário que o filtro de poeiras (41) esteja o mais limpo possível. Para proceder à limpeza, pare a máquina e use a pega (30) para accionar o dispositivo de sacudimento do filtro manual.



NOTA

Repita a operação de sacudimento do filtro em média a cada 10 minutos de trabalho. Varie o intervalo em função da quantidade de poeiras existente no espaço a limpar.



NOTA

Quando o filtro de poeiras estiver entupido e/ou o depósito de resíduos (14) cheio, a máquina não consegue recolher poeiras e detritos.

4. Caso seja necessário trabalhar em pisos molhados, abra o bocal "wet by-pass" (43) para evitar danificar o filtro de poeiras. Quando voltar a trabalhar em pisos secos, feche o bocal "wet by-pass" (43) para retomar a aspiração correcta.
5. Terminado o trabalho e sempre que o depósito de resíduos (14) estiver cheio, esvazie-o.



NOTA

Quando o depósito de resíduos estiver cheio, a máquina deixa de conseguir recolher poeiras e detritos.

ESVAZIAMENTO DO DEPÓSITO DE RESÍDUOS

1. Pare a máquina e rode a chave de ignição (2) para "0".
2. Remova o depósito de resíduos (14) utilizando a respectiva pega de transporte (15) e as suas rodas (16) para arrastá-lo para o centro de recolha de resíduos e, depois, esvaziá-lo.
3. Volte a instalar o depósito de resíduos na máquina.
4. A máquina está pronta para retomar o trabalho de varredura.



NOTA

Quando o depósito dos resíduos é removido, todas as funções da máquina são desactivadas.

APÓS UTILIZAÇÃO DA MÁQUINA

No fim do serviço, antes de sair da máquina, execute as seguintes operações:

- Accione o dispositivo de sacudimento do filtro manual com a pega (30).
- Rode a chave de ignição (2) para "0" para desligar a máquina.
- Esvazie o depósito dos resíduos (14) (veja as instruções no parágrafo anterior).
- Eleve as escovas laterais (18) e (19, opcional), puxando para a frente as alavancas (12) e (13, opcional).
- Certificar-se que a máquina não possa se mover autonomamente.
- Carregue as baterias (veja o procedimento no capítulo da Manutenção).

EMPURRAR A MÁQUINA

A máquina pode ser movimentada empurrando-a com a chave de ignição (2) em "0" ou em "1".

INACTIVIDADE PROLONGADA DA MÁQUINA

Caso preveja não utilizar a máquina por mais de 30 dias, deve executar as seguintes operações:

- Execute as operações descritas no parágrafo Após utilização da máquina.
- Controlar que o local onde é guardada a máquina esteja seco e limpo.
- Desligue o conector (36) das baterias.
- Levante ligeiramente a máquina de modo que os flaps, a escova central e as rodas não toquem no chão.

MANUTENÇÃO

Uma manutenção cuidadosa e regular garante a longevidade da máquina e sua máxima segurança de funcionamento.

Encontra-se indicado a seguir o plano de manutenção programada. As periodicidades indicadas podem sofrer variações em função de condições especiais de trabalho, a serem definidas por parte do responsável da manutenção.

Todas as operações de manutenção programadas ou extraordinárias devem ser efectuadas por pessoal qualificado ou por um Centro de assistência autorizado.

Neste manual, após o plano de manutenção programada, estão indicados somente os procedimentos das manutenções mais simples e mais recorrentes.

Para o procedimento de outras operações de manutenção indicadas no plano de manutenção programada, consulte o Manual de assistência que possuem os vários Centros de assistência.



ATENÇÃO!

As operações de manutenção devem ser efectuadas com a máquina desligada, chave removida e, quando necessário, com as baterias desligadas.

Antes de efectuar manutenções, leia atentamente todas as instruções do capítulo Segurança.

PLANO DE MANUTENÇÃO PROGRAMADA

Procedimento	No momento da entrega	A cada 10 horas	A cada 50 horas	A cada 200 horas	A cada 400 horas
Carregamento das baterias	(1)				
Controlo do nível do líquido das baterias (WET)					
Controlo do cabo do carregador de baterias					
Limpeza e controlo do estado do filtro de poeiras		(2)			
Controlo e regulação da altura das escovas laterais e central					
Controlo da altura e do funcionamento dos flaps					
Controlo da junta do filtro					
Controlo/ajuste visual das correias de transmissão: sistema de tracção, escova central.				(*)	
Controlo do funcionamento do micro-interruptor de posição do depósito de resíduos					
Substituição das correias de transmissão: sistema de tracção, escova central				(*)	
Controlo e substituição dos carvões dos motor principal					(*)

(*) Para o respectivo procedimento, fazer referência ao Manual de assistência.

(1) Diária ou após a utilização da máquina.

(2) Ou antes de cada utilização.

CONTROLO DO CABO DO CARREGADOR DE BATERIAS

Controle com cuidado que o cabo do carregador (38) e a tomada específica não apresentam sinais de abrasão, corte, fissura ou outros danos.

Se o cabo do carregador e a tomada específica forem danificados, contacte um Centro de assistência Advance.

CARREGAMENTO DAS BATERIAS**ADVERTÊNCIA!**

Carregue as baterias quando o LED amarelo (5) ou vermelho (6) se acender ou no fim de cada trabalho. Manter as baterias carregadas aumenta a duração da vida útil das mesmas.

**ATENÇÃO!**

Quando as baterias estão descarregadas, carregue logo que possível, dado que este estado provoca uma redução da vida útil das mesmas.

**ATENÇÃO!**

A máquina está equipada com baterias de chumbo (WET), durante o carregamento das baterias é produzido gás hidrogénio altamente explosivo. Carregue somente em áreas bem ventiladas e longe de chamas livres. Não fume durante o carregamento das baterias. Mantenha o capot aberto durante todo o ciclo de carregamento das baterias.

**ATENÇÃO!**

Durante o carregamento das baterias WET preste um cuidado especial às eventuais fugas de líquido das baterias. O líquido é altamente explosivo. Em caso de contacto com a pele ou os olhos, lave abundantemente com água e consulte um médico.

1. Coloque a máquina num terreno plano. Certificar-se que a máquina não possa se mover autonomamente.
2. Rode a chave de ignição (2) para "0".
3. Ligue o cabo (38) do carregador de bateria electrónico (40) à rede eléctrica.

**ATENÇÃO!**

A tensão e a frequência da rede devem ser iguais aos valores correspondentes do carregador de bateria electrónico indicados na placa de identificação da máquina (47).



NOTA

Quando o carregador de bateria electrónico está ligado à rede eléctrica, todas as funções da máquina são inibidas automaticamente.

4. Quando o LED verde (4) se acender, as baterias estão carregadas.
Para mais informações sobre o funcionamento do carregador de bateria (40), consulte o Manual específico.
5. Desligue o cabo (38) do carregador de bateria electrónico da rede eléctrica e arrume-o no alojamento (39) da máquina.
6. A máquina está pronta a utilizar.

CONTROLO E REGULAÇÃO DA ALTURA DA ESCOVA CENTRAL



NOTA

São fornecidas escovas com várias durezas. O presente procedimento é aplicável a todos os tipos de escovas.

Controlo

1. Controle a correcta altura ao piso da escova central, do seguinte modo:
2. Coloque a máquina num local plano.
3. Com a máquina parada, faça rodar durante alguns segundos a escova central.
4. Pare a escova central, depois desloque a máquina e desligue-a.
5. Verifique se a marca (A, Fig. 2) deixada pela escova central tem uma largura de 0,8 a 1,6 in (de 2 a 4 cm) em todo o seu comprimento.
6. Apenas caso a marca (A) seja diferente, proceda com a regulação da altura da escova.

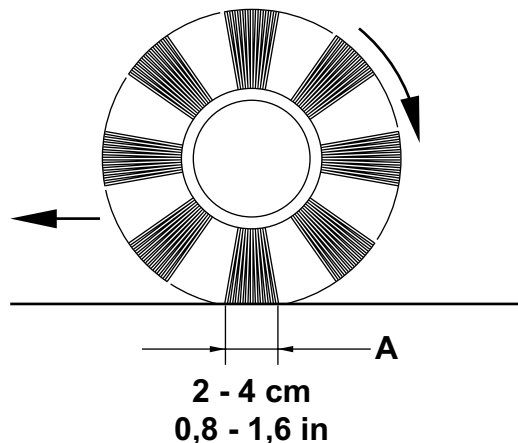


Figura 2

P100817

Regulação

7. Coloque a chave de ignição (2) em "0".
8. Rode o manipulador (B, Fig. 3) levando em conta que:
 - para aumentar a largura da marca, deverá rodar o manipulador no sentido contrário aos ponteiros do relógio
 - para diminuir a largura da marca, deverá rodar o manipulador no sentido dos ponteiros do relógio



NOTA

Além da regulação da marca no piso, o manipulador tem uma função de regulação da escova em função do desgaste das cerdas.

9. Execute novamente o ponto 1 para verificar a correcta regulação da altura ao chão da escova central.
10. Quando o excessivo consumo da escova já não permitir a sua regulação, substitua a escova como previsto no parágrafo a seguir.



ADVERTÊNCIA!

Uma marca excessiva no chão [maior que 1,6 in (4 cm)] feita pela escova central compromete o regular funcionamento da máquina e pode levar ao super-aquecimento das partes em movimento e eléctricas, reduzindo drasticamente a durabilidade das mesmas.

Prestar especial atenção ao executar a operação de verificação acima indicada e nunca fazer a máquina funcionar fora das condições indicadas.

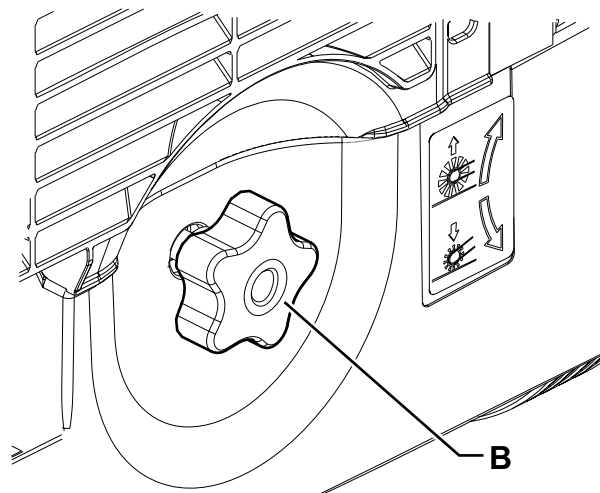


Figura 3

P100818

SUBSTITUIÇÃO DA ESCOVA CENTRAL



ADVERTÊNCIA!

Aconselha-se o uso de luvas durante a substituição da escova central devido à possível presença de detritos cortantes presos entre as cerdas.

1. Coloque a máquina num terreno plano.
2. Rode a chave de ignição (2) para "0".
3. Rode o manípulo de regulação da altura da escova central (28) no sentido dos ponteiros do relógio até ao fim.
4. Remova o depósito dos resíduos (14).
5. Rode o manípulo de fecho (23) e abra a portinhola esquerda (A, Fig. 4) basculante.
6. Afrouxe os manípulos (B) e remova a tampa da escova central (C) rodando-a ligeiramente no sentido contrário aos ponteiros do relógio.
7. Remova a escova central (D) extraíndo-a do lado dianteiro da máquina.
8. Verifique se o cubo de accionamento (E) não tem sujidade ou objectos (cordas, panos, etc.), presos acidentalmente.
9. Posicione a nova escova central, orientando-a com as cerdas (F) conforme ilustrado na figura.
10. Instale a nova escova central inserindo-a no lado dianteiro da máquina e certifique-se de que a sua tomada (G) esteja inserida no respectivo cubo de accionamento (E).
11. Instale a tampa da escova central (C) e aperte os manípulos (B).
12. Feche a portinhola esquerda (A) basculante.
13. Regule a altura da escova central, operando como indicado no parágrafo anterior.

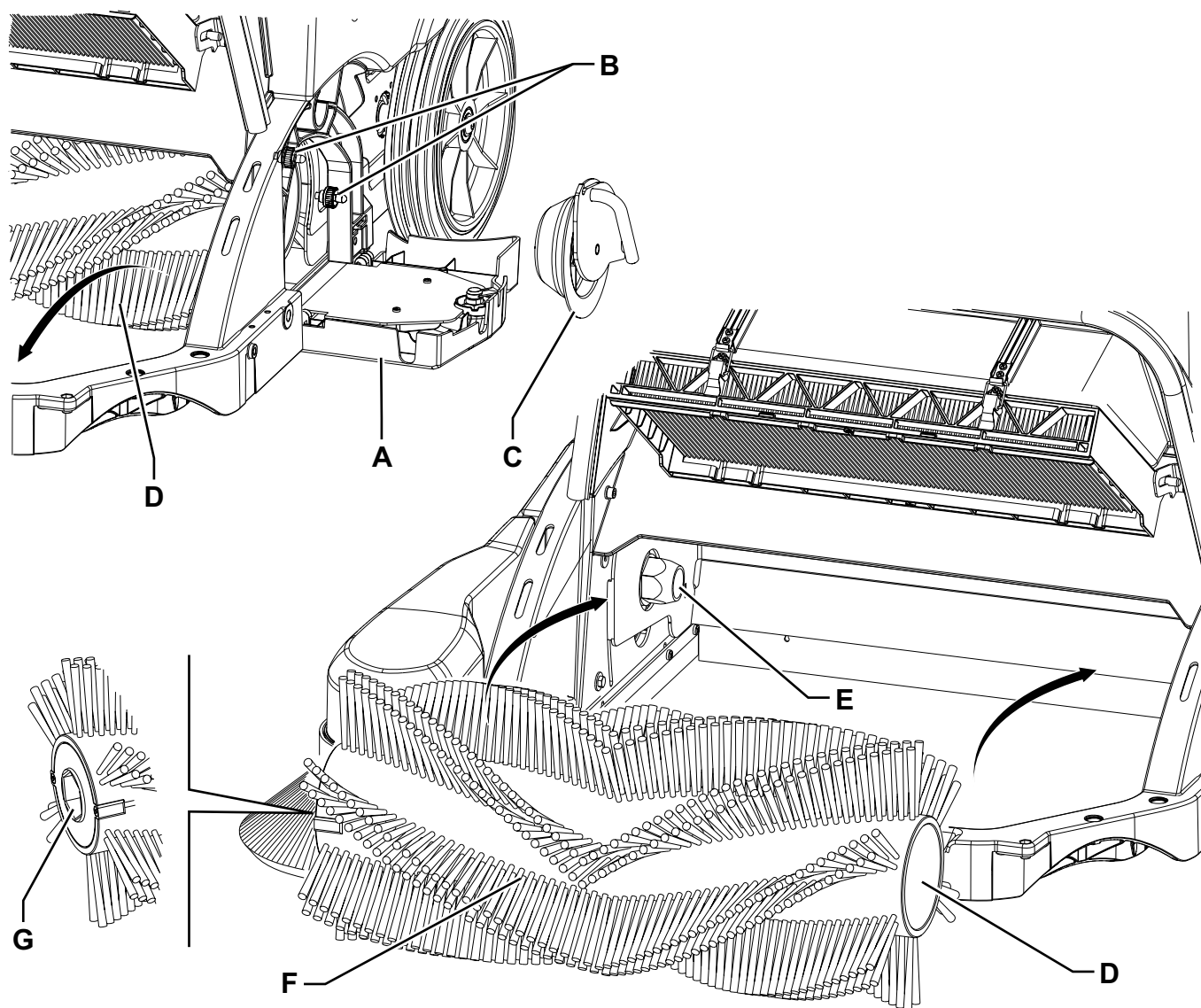


Figura 4

P100819

CONTROLO E REGULAÇÃO DA ALTURA DA ESCOVA LATERAL



NOTA

São fornecidas escovas com várias durezas. O presente procedimento é aplicável a todos os tipos de escovas.

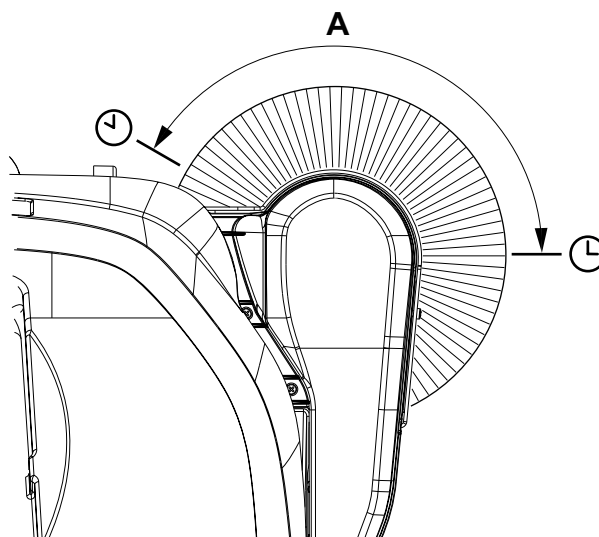


NOTA

O presente procedimento é aplicável seja à escova lateral direita, seja à escova lateral esquerda (opcional).

Controlo

1. Coloque a máquina num local plano.
2. Rode a chave de ignição (2) para "I".
3. Baixe a escova lateral accionando a alavanca (12).
4. A altura correcta da escova lateral em relação ao piso é atingida quando as cerdas tocam o piso em um arco de circunferência conforme indicado (A, Fig. 5). Apenas caso a marca (A) seja diferente, proceda com a regulação da altura da escova.

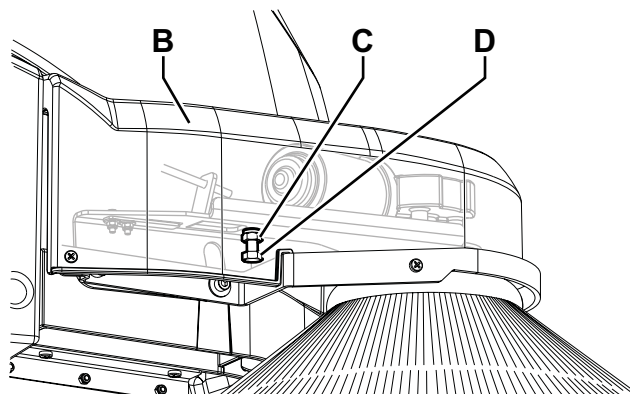


P100820

Regulação

5. Coloque a chave de ignição (2) em "0".
6. Actuando na tampa (B, Fig. 6), afrouxe a porca (C) e rode o parafuso (D) no sentido dos ponteiros do relógio ou no sentido contrário para aumentar ou diminuir a altura do chão da escova lateral. Por fim, bloqueie o parafuso com a porca.
7. Execute novamente o ponto 4 para verificar a correcta regulação da altura ao solo da escova central.
8. Quando o excessivo consumo da escova já não permitir a sua regulação, substitua a escova como previsto no parágrafo a seguir.

Figura 5



P100821

Figura 6



ADVERTÊNCIA!

Uma marca excessiva no chão feita pela escova lateral compromete o regular funcionamento da máquina e pode levar ao sobreaquecimento das peças em movimento e eléctricas, reduzindo drasticamente a vida útil das mesmas.

DESMONTAGEM/MONTAGEM DA ESCOVA LATERAL



ADVERTÊNCIA!

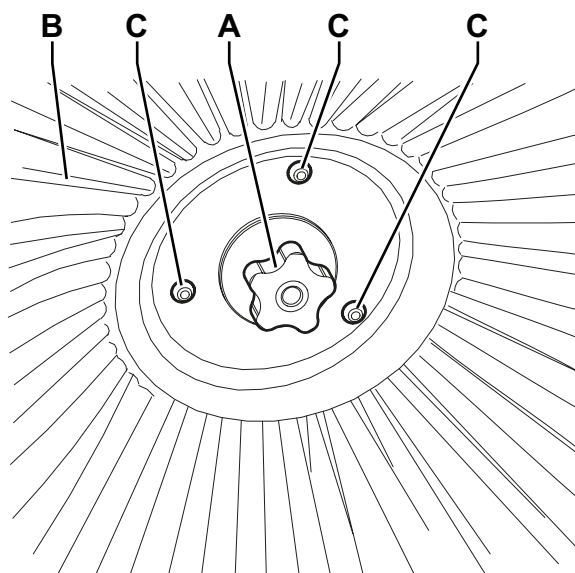
Aconselha-se o uso de luvas durante a substituição da escova lateral devido à possível presença de detritos cortantes inseridos entre as cerdas.



NOTA

O presente procedimento é aplicável seja à escova lateral direita, seja à escova lateral esquerda (opcional).

1. Coloque a máquina num terreno plano.
2. Rode a chave de ignição (2) para "0".
3. No interior da escova lateral, desaparafuse o manípulo (A, Fig. 7) removendo a escova (B) desengatando-a dos três pernos (C).
4. Monte na máquina a nova escova engatando-a nos pernos (C) e aparafuse o manípulo (A).
5. Regule a altura da nova escova, como indicado no parágrafo anterior.



P100822

Figura 7

CONTROLO E REGULAÇÃO DOS FLAPS

1. Coloque a máquina num pavimento plano e adequado para funcionar como plano de referência para o controlo da altura dos flaps. Certificar-se que a máquina não possa se mover autonomamente.
2. Rode a chave de ignição (2) para "0".
3. Remova o depósito dos resíduos (14).
4. Remova a escova central (27), operando como indicado no parágrafo específico.

Controlo dos flaps laterais

5. Verifique o estado dos flaps laterais (26). Substitua os flaps quando apresentarem cortes (A, Fig. 8) de mais de 20 mm ou furos/golpes (B) de mais de 10 mm (consulte o manual de assistência para a substituição).
6. Verifique se a altura em relação ao chão dos flaps laterais (26) seja conforme indicado na figura (C) e que toquem o pavimento em todo o comprimento.
7. Se necessário, regule os flaps, operando como indicado a seguir.

Regulação dos flaps laterais

8. Remova a portinhola direita (52) para aceder às porcas (D, Fig. 9).
9. Afrouxe as porcas (D) e o parafuso (E) e depois regule a altura do flap direito (F) aproveitando os seus orifícios.
10. Afrouxe os parafusos (G) e regule a altura do flap de recuperação direito (H) aproveitando os seus orifícios.
11. Afrouxe os parafusos (I) e a porca (J) e depois regule a altura do flap esquerdo (K) aproveitando os seus orifícios.
12. Uma vez concluída a regulação, aperte os parafusos e os dados.



NOTA

O procedimento para a regulação do flap de recuperação direito (H) é aplicável também para o flap de recuperação esquerdo (opcional).

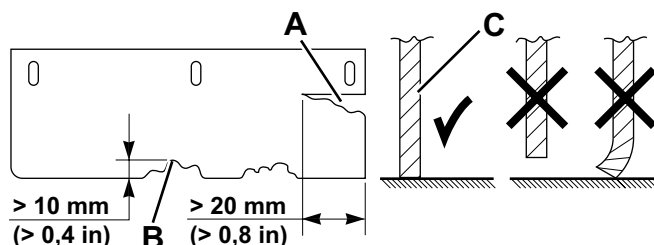
Controlo do flap dianteiro e controlo/regulação do flap traseiro

13. No depósito de resíduos (14), verifique o estado do seu flap dianteiro (24).
14. Verifique o estado do flap traseiro (25).
15. Substitua os flaps quando apresentarem cortes (A, Fig. 8) de mais de 20 mm ou furos/golpes (B) de mais de 10 mm (consulte o manual de assistência para a substituição).
16. Verifique se a altura em relação ao chão do flap traseiro (25) seja conforme indicado na figura (C) e que toque o pavimento em todo o comprimento.
17. Se necessário, afrouxe os parafusos (L, Fig. 10) e regule a altura do flap (M) aproveitando os seus orifícios.
18. Uma vez concluída a regulação, aperte os parafusos (L).
19. Monte os componentes removidos na ordem inversa da desmontagem.



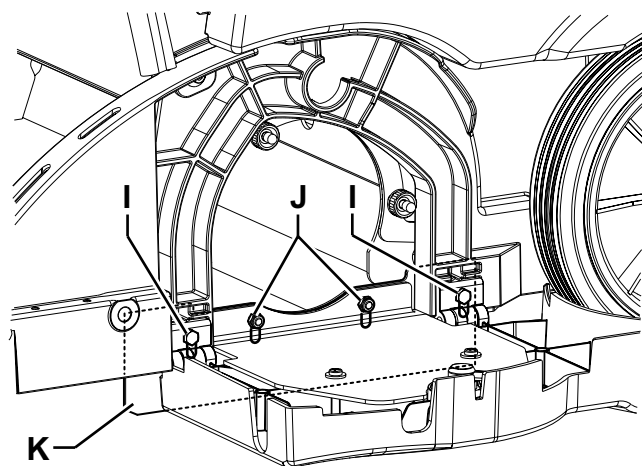
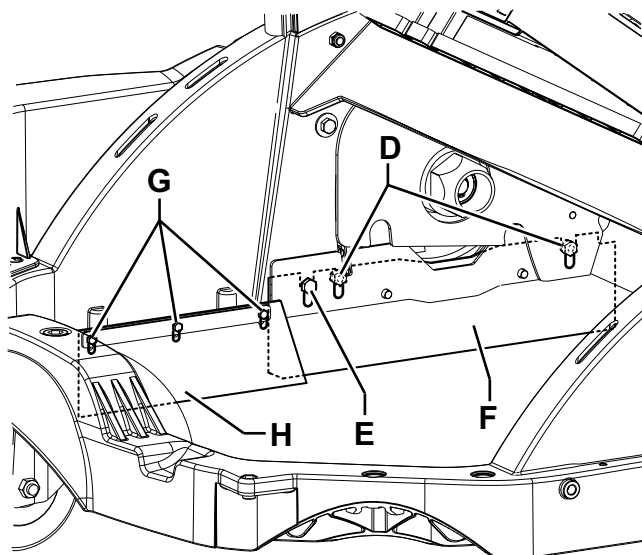
NOTA

O flap dianteiro (24) no depósito de resíduos não necessita de ser regulado.



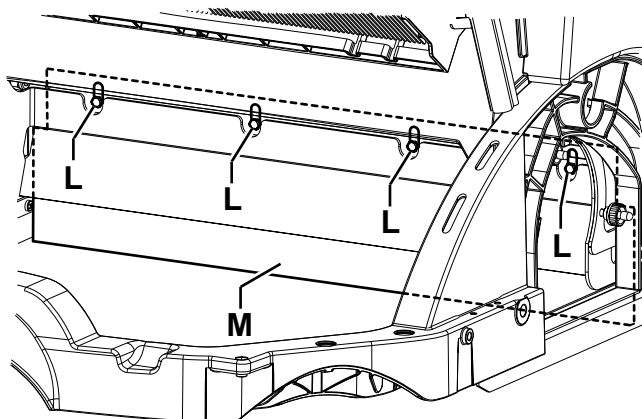
P100823

Figura 8



P100825

Figura 9



P100826

Figura 10

LIMPEZA E CONTROLO DO ESTADO DO FILTRO DE POEIRAS

Para garantir o funcionamento do sistema de aspiração, o filtro das poeiras deve ser limpo regularmente. Para uma duração maior do filtro, respeite os intervalos de manutenção recomendados.



ATENÇÃO!

Para a limpeza do filtro, use sempre óculos de protecção.

Não fure o filtro.

Limpe o filtro numa área adequadamente ventilada.

Use uma máscara de protecção adequada para evitar respirar as poeiras.



NOTA

Além do filtro de papel standard, está também disponível, em opção, filtro de poliéster.

1. Coloque a máquina num terreno plano e certifique-se que a máquina não se movimenta autonomamente.
2. Rode a chave de ignição (2) para "0".
3. Remova o depósito dos resíduos (14).
4. Desengate as alavancas (A, Fig. 11) e rode para baixo o suporte de filtro (B).
5. Remova o filtro de poeiras (C).
6. Num espaço ao ar livre, limpe o filtro de poeiras sacudindo-o contra uma superfície plana e limpa, batendo com o lado (E, Fig. 12), oposto à rede (F).
7. Complete a limpeza com um jacto de ar comprimido (G) perpendicular a um máximo de 87 psi (6 Bars), soprando unicamente do lado protegido pela rede (F). Tome, além disso, os seguintes cuidados em função do tipo de filtro tratado:
 - Filtro de papel (standard): não utilize água ou detergente para a limpeza para não correr o risco do danificar de modo irreversível.
 - Filtro de poliéster (opcional): para uma limpeza mais profunda, é possível lavar o filtro com água e eventualmente com detergente que não faça espuma. Não se esqueça que este tipo de lavagem, mesmo sendo de melhor qualidade, reduz a vida útil do filtro que deverá ser substituído mais frequentemente. A utilização de detergentes inadequados prejudica as características de funcionamento do filtro.
8. Verifique se o corpo do filtro não apresenta golpes. Limpe ao longo de todo o perímetro a junta (H) e verifique se está em bom estado. Caso contrário, proceda à substituição do filtro.
9. Se for necessário, limpe a junta de borracha presente no compartimento do filtro (D, fig. 11) e verifique se está em bom estado. Caso contrário, substitua-a.
10. Monte os componentes na ordem inversa da desmontagem.

Limpeza do pré-filtro (opcional)

11. Execute os pontos de 1 a 3.
12. Remova o pré-filtro (K, Fig. 13) e limpe-o com ar comprimido a um máximo de 87 psi (6 Bars).
13. Monte os componentes na ordem inversa da desmontagem.

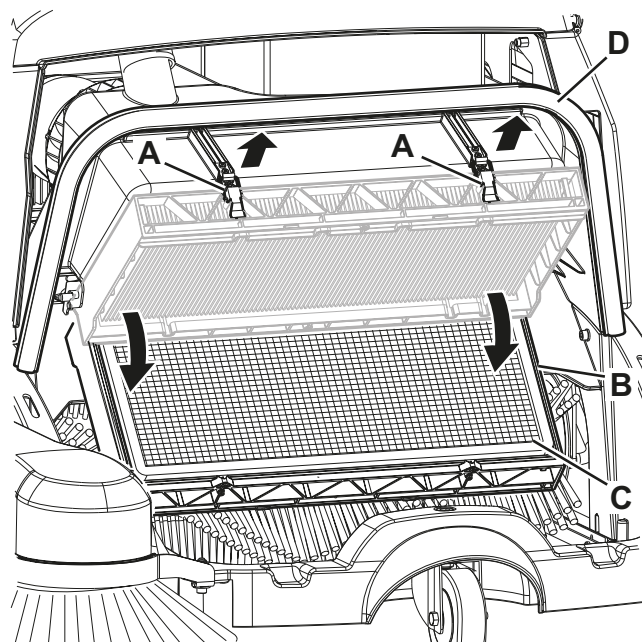


Figura 11

P100827

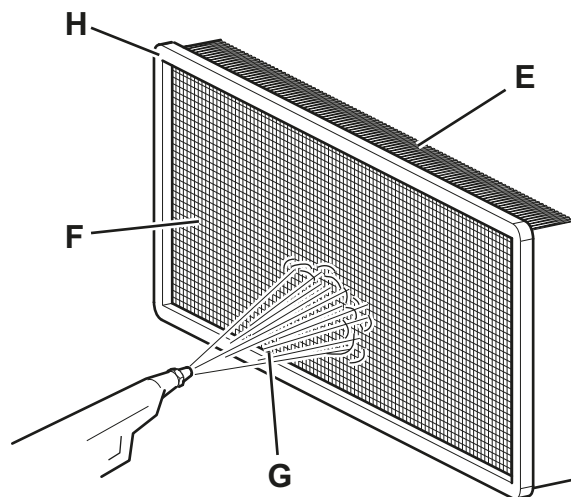


Figura 12

P100828

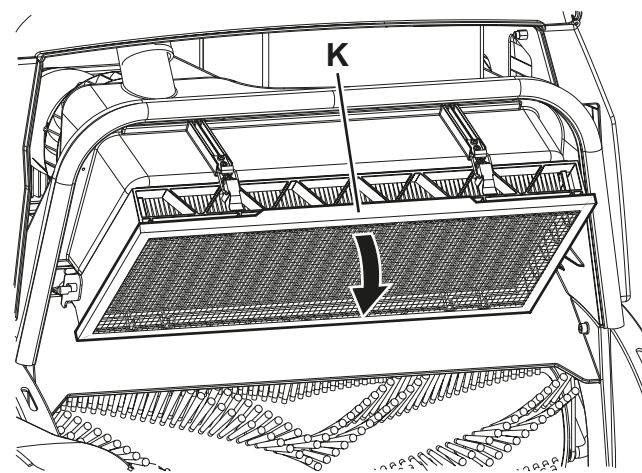


Figura 13

P100829

CONTROLO DO FUNCIONAMENTO DO MICRO-INTERRUPTOR DE POSIÇÃO DO DEPÓSITO DE RESÍDUOS

1. Com a máquina desligada, remova o depósito de resíduos (14).
2. Teste e ligue a máquina colocando a chave de ignição (2) em "1" e controle que o arranque não seja possível. Rode a chave de ignição (2) para "0".
3. Reposicione o depósito dos resíduos (14).
4. Caso a máquina permaneça em funcionamento mesmo com o depósito de resíduos (14) removido, consulte imediatamente um Centro de assistência autorizado ou um revendedor de confiança.

CONTROLO / REPOSIÇÃO / SUBSTITUIÇÃO DOS FUSÍVEIS

1. Coloque a máquina num terreno plano. Certificar-se que a máquina não possa se mover autonomamente.
2. Rode a chave de ignição (2) para "0".

Controlo dos disjuntores

3. Verifique o eventual desengate do fusível em questão entre os seguintes disjuntores:
(32): Fusível FA (70 A) do motor principal
(33): Fusível FB (5 A) do motor da escova lateral direita
(34): Fusível FC (5 A) do motor da escova lateral esquerda (opcional)
Restabeleça o eventual fusível desengatado, após o arrefecimento da parte que casou o desengate.

Controlo/substituição dos fusíveis

4. Desengate a fixação dianteira (22) e abra o capô das baterias e do motor principal (21).
5. Desligue o conector (36) das baterias.
6. Controle/substitua o fusível em questão entre os seguintes:
(29): Fusível F0 (125 A) baterias.
Verifique/substitua o fusível do carregador de bateria (31) do seguinte modo:
 7. Abra a grelha traseira (51) desapertando os parafusos de fixação.
 8. Abra o porta-fusível e verifique/substitua o fusível plano F2 (30 A).

Reposição

9. Ligue o conector das baterias (36).
10. Feche o capô das baterias e do motor principal e do dinamotor (21) e engate a fixação dianteira (22).
11. Feche e aperte com o parafuso a grelha traseira (51).

CONTROLO DO NÍVEL DE ELECTRÓLITOS DAS BATERIAS (APENAS PARA BATERIAS WET)

1. Desengate a fixação dianteira (22) e abra o capô das baterias e do motor principal (21).
2. Controle o nível do electrólito no interior das baterias (35). Se necessário, encha através das tampas.
3. Feche todas as tampas das baterias (35).
4. Feche o capô das baterias e do motor principal e do dinamotor (21) e engate a fixação dianteira (22).
5. Se necessário, carregue as baterias conforme indicado no parágrafo específico.

RESOLUÇÃO DE PROBLEMAS

Problema	Causa provável	Solução
Colocando a chave de ignição em "I" as funções da máquina devem estar desactivadas.	Conector da bateria desligado.	Abra o capô e ligue o conector das baterias.
	Depósito de resíduos não está na posição correcta.	Posicione correctamente o depósito de resíduos.
	Disjuntor (FA) do motor principal interrompido.	Aguarde que o motor principal arrefeça, depois reponha o disjuntor premindo o respectivo botão.
	Carregador de bateria electrónico ligado à rede eléctrica.	Desligue o carregador de baterias electrónico da rede eléctrica.
	Micro-interruptor do depósito de resíduos avariado.	Substitua o micro-interruptor. (*)
A escova lateral não funciona.	Disjuntor (FB) ou (FC) (opcional) interrompido.	Aguarde que o motor da escova lateral afectada arrefeça, reponha então o disjuntor premindo o respectivo botão.
	Micro-interruptor da escova lateral em avaria.	Substitua o micro-interruptor da escova lateral afectada. (*)
A máquina recolhe pouco o lixo/poeira.	Filtro de poeiras entupido.	Limpe o filtro de poeiras através do sacudimento do filtro ou desmontando-o.
	Depósito de resíduos cheio.	Despeje o depósito de resíduos.
	Flaps não estão correctamente regulados ou estão partidos.	Regule/substitua os flaps.
	Escovas não estão reguladas correctamente.	Regule a altura da escova.
	Correia da escova central desajustada ou desgastada.	Ajuste ou substitua a correia da escova central. (*)
A máquina funciona somente parada mas, sob esforço desliga-se e o indicador luminoso vermelho acende-se.	Baterias descarregadas.	Recarregue as baterias. Se o problema persistir, substitua as baterias.
As baterias têm pouca autonomia.	Baterias estão no fim da respectiva vida útil.	Substitua as baterias.
	Baterias com pouca capacidade.	Instale bateria com maior capacidade (consulte o parágrafo Características técnicas).
Puxando a alavanca de comando de tracção, não se move ou move-se lentamente.	Cabo de comando de tracção desajustado ou partido.	Ajuste ou substitua o cabo de comando de tracção. (*)
	Correia de tracção desajustada ou desgastada.	Ajuste ou substitua a correia de tracção. (*)

(*) Esta operação deve ser executada por um centro de assistência Advance.



NOTA

A máquina não pode funcionar sem o carregador de bateria. Em caso de defeito no carregador de bateria, contacte um Centro de Assistência autorizado.

Para mais informações contacte os centros de assistência da Advance, os quais possuem o manual de assistência.

FIM DE VIDA

Proceda à entrega da máquina junto de um centro de tratamento autorizado.

Antes de eliminar a máquina, é necessário remover e separar os seguintes materiais e enviá-los para a triagem selectiva em conformidade com as normas ambientais em vigor:

- Baterias
- Filtro de poeiras em poliéster
- Escovas central e lateral
- Tubos e peças em material plástico
- Componentes eléctricos e electrónicos (*)

(*) Em particular, para o depósito das partes eléctricas e electrónicas, dirija-se a um centro da Advance local.

9435 Winnetka Avenue North
Brooklyn Park, MN 55445
www.advance-us.com
Phone: 800-989-2235
Fax: 800-989-6566
©2018 Nilfisk, Inc.

